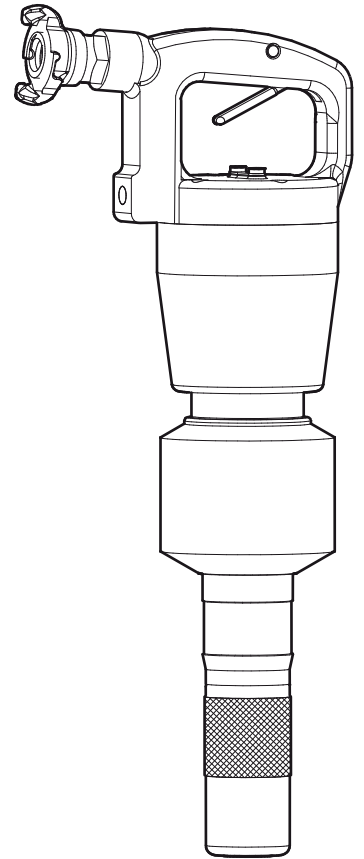


Safety and operating instructions Handheld pneumatic pick hammers

- Ⓡ Prescriptions de sécurité et instructions pour l'opérateur
Marteaux-piqueurs pneumatiques portatifs
- Ⓡ Sicherheits- und Betriebsanleitung
Hand-Druckluftaufbrechhämmer
- Ⓡ Instrucciones de seguridad y de funcionamiento
Martillos picadores neumáticos manuales
- Ⓡ Instruções de segurança e operação
Martelos picadores
- Ⓡ Istruzioni per la sicurezza e per l'uso
Martelli picconatori pneumatici manuali
- Ⓡ Veiligheidsvoorschriften en bedieningshandleiding
Handbediende pneumatische bikhammers
- Ⓡ Οδηγίες ασφάλειας και χειρισμού
Αερόσφυρες χειρός
- Ⓡ Turvallisuusohjeet ja käyttöohje
Käsikäyttöiset paineilmapiiikkausvasarat
- Ⓡ Sikkerhedsinstruktioner og betjeningsvejledning
Håndholdte trykluftmejselhamre
- Ⓡ Sikkerhetsinstrukser og bruksanvisning
Håndholdte pneumatiske pakkhammere
- Ⓡ Säkerhetsinstruktion och instruktionsbok
Handhållna tryckluftsdrevna bilningshammare
- Ⓡ Instrukcje bezpieczeństwa i obsługi
Lekki młot pneumatyczny
- Ⓡ Руководство по технике безопасности и эксплуатации
Ручные пневматические отбойные молотки



Contents

ENGLISH.....	4
FRANÇAIS.....	22
DEUTSCH.....	44
ESPAÑOL.....	66
PORTUGUÊS.....	86
ITALIANO.....	106
NEDERLANDS.....	126
ΕΛΛΗΝΙΚΑ.....	148
SUOMI.....	170
DANSK.....	190
NORSK.....	210
SVENSKA.....	230
POLSKI.....	250
РУССКИЙ.....	272

ENGLISH

Contents

Introduction.....	7
About the Safety and operating instructions.....	7
Safety instructions.....	8
Safety signal words.....	8
Personal precautions and qualifications.....	8
Personal protective equipment.....	8
Drugs, alcohol or medication.....	8
Installation, precautions.....	8
Operation, precautions.....	9
Maintenance, precautions.....	12
Storage, precautions.....	12
Overview.....	13
Design and function.....	13
Choosing the correct pneumatic hammer for a task.....	13
Main parts.....	13
Labels.....	13
Data plate.....	14
Noise level label.....	14
Safety label.....	14
Installation.....	14
Hoses and connections.....	14
Methods to prevent freezing.....	14
Connecting a water separator.....	15
Lubrication.....	15
Insertion tool.....	15
Selecting the right insertion tool.....	15
Narrow chisel.....	15
Moil point.....	15
Wide bladed chisel.....	15
Fitting and removing the insertion tool.....	15
Operation.....	16
Start and stop.....	16
Operating.....	16
Starting a cut.....	16
Breaking.....	16
When taking a break.....	17
Maintenance.....	17
Every day.....	17
Periodic maintenance.....	17
Assembly instructions.....	18
Troubleshooting.....	18
Storage.....	18
Disposal.....	18
Technical data.....	19
Machine data.....	19
Noise and vibration declaration statement.....	19
Additional vibration information.....	19

Noise and vibration data	20
EC Declaration of Conformity	21
EC Declaration of Conformity (EC Directive 2006/42/EC)	21

Introduction

Thank you for choosing a product from Atlas Copco. Since 1873, we have been committed to finding new and better ways of fulfilling our customers' needs. Through the years, we have developed innovative and ergonomic product designs that have helped customers improve and rationalize their daily work.

Atlas Copco has a strong global sales and service network, consisting of customer centers and distributors worldwide. Our experts are highly trained professionals with extensive product knowledge and application experience. In all corners of the world, we can offer product support and expertise to ensure that our customers can work at maximum efficiency at all times.

For more information please visit: www.atlascopco.com

Atlas Copco Construction Tools AB
105 23 Stockholm
Sweden

About the Safety and operating instructions

The aim of the instructions is to provide you with knowledge of how to use the pneumatic pick hammer in an efficient, safe way. The instructions also give you advice and tell you how to perform regular maintenance on the pneumatic pick hammer.

Before using the pneumatic pick hammer for the first time you must read these instructions carefully and understand all of them.

Safety instructions

To reduce the risk of serious injury or death to yourself or others, read and understand the Safety and operating instruction before installing, operating, repairing, maintaining, or changing accessories on the machine.

Post this Safety and operating instruction at work locations, provide copies to employees, and make sure that everyone reads the Safety and operating instruction before operating or servicing the machine.

In addition, the operator or the operator's employer must assess the specific risks that may be present as a result of each use of the machine.

Safety signal words

The safety signal words Danger, Warning and Caution have the following meanings:

DANGER	Indicates a hazardous situation which, if not avoided, will result in death or serious injury.
WARNING	Indicates a hazardous situation which, if not avoided, could result in death or serious injury.
CAUTION	Indicates a hazardous situation which, if not avoided, could result in minor or moderate injury.

Personal precautions and qualifications

Only qualified and trained persons may operate or maintain the machine. They must be physically able to handle the bulk, weight, and power of the tool. Always use your common sense and good judgement.

Personal protective equipment

Always use approved protective equipment. Operators and all other persons in the working area must wear protective equipment, including at a minimum:

- Protective helmet
- Hearing protection
- Impact resistant eye protection with side protection
- Respiratory protection when appropriate
- Protective gloves
- Proper protective boots
- Appropriate work overall or similar clothing (not loose-fitting) that covers your arms and legs.

Drugs, alcohol or medication

▲ **WARNING** Drugs, alcohol or medication

Drugs, alcohol or medication may impair your judgment and powers of concentration. Poor reactions and incorrect assessments can lead to severe accidents or death.

- ▶ Never use the machine when you are tired or under the influence of drugs, alcohol or medication.
- ▶ No person who is under the influence of drugs, alcohol or medication may operate the machine.

Installation, precautions

▲ **DANGER** Whipping air hose

A compressed air hose that comes loose can lash around and cause personal injury or death. To reduce this risk:

- ▶ Check that the compressed air hose and the connections are not damaged, replace if necessary.
- ▶ Check that all compressed air connections are properly attached.
- ▶ Never carry a pneumatic machine by the air hose.
- ▶ Never attempt to disconnect a compressed air hose that is pressurized. First switch off the compressed air at the compressor and then bleed the machine by activating the start and stop device.
- ▶ Do not use quick disconnect couplings at tool inlet. Use hardened steel (or material with comparable shock resistance) threaded hose fittings.
- ▶ Whenever universal twist couplings (claw couplings) are used, we recommend that lock pins are installed and whipcheck safety cables are used to safeguard against possible hose to tool and hose to hose connection failure.

▲ **DANGER** Air under pressure

High pressure air that hits the skin can penetrate and cause severe personal injury or death.

- ▶ Always shut off air supply, drain hose of air pressure and disconnect the machine from air supply when not in use, before changing accessories or when making repairs.
- ▶ Never point a compressed air hose at yourself or anyone else. To avoid risk of injury, never use compressed air to blow for example dust, dirt etc. from your clothes.

▲ WARNING Ejected insertion tool

If the tool retainer on the machine is not in a locked position, the inserted tool can be ejected with force, which can cause personal injury.

- ▶ Never start the machine while changing the insertion tool.
- ▶ Before changing the insertion tool or accessories, stop the machine, switch off the power supply and bleed the machine by activating the start and stop device.
- ▶ Never point the inserted tool at yourself or anyone else.
- ▶ Make sure that the insertion tool is fully inserted and the tool retainer is in a locked position before the machine is started.
- ▶ Check the locking function by pulling the inserted tool outwards forcefully.

▲ WARNING Moving or slipping insertion tool

An incorrect dimension of the inserted tool's shank can result in that the inserted tool is lost or is slipping out during operation. Risk of severe injury or crushed hands and fingers.

- ▶ Check that the insertion tool has the shank length and dimensions that the machine is intended for.
- ▶ Never use an insertion tool without a collar.

Operation, precautions

▲ DANGER Explosion hazard

If an working tool comes into contact with explosives or explosive gases, an explosion could occur. When working on certain materials and when using certain materials in machine parts, sparks and ignition can occur. Explosions will lead to severe injuries or death.

- ▶ Never operate the machine in any explosive environment.
- ▶ Never use the machine near flammable materials, fumes or dust.
- ▶ Make sure that there are no undetected sources of gas or explosives.

▲ WARNING Unexpected movements

The inserted tool is exposed to heavy strains when the machine is used. The inserted tool may break due to fatigue after a certain amount of use. If the inserted tool breaks or gets stuck, there may be sudden and unexpected movement that can cause injuries. Furthermore, losing your balance or slipping may cause injury.

- ▶ Make sure that you always keep a stable position with your feet as far apart as your shoulder width, and keeping a balanced body weight.
- ▶ Always inspect the equipment prior to use. Never use the equipment if you suspect that it is damaged.
- ▶ Make sure that the handles are clean and free of grease and oil.
- ▶ Keep your feet away from the inserted tool.
- ▶ Stand firmly and always hold on to the machine with both hands.
- ▶ Never start the machine when it is lying on the ground.
- ▶ Never 'ride' on the machine with one leg over the handle.
- ▶ Never strike or abuse the equipment.
- ▶ Check regularly for wear on the insertion tool, and check whether there are any signs of damage or visible cracks.
- ▶ Pay attention and look at what you are doing.

▲ WARNING Dust and fume hazard

Dusts and/or fumes generated or dispersed when using the machine may cause serious and permanent respiratory disease, illness, or other bodily injury (for example, silicosis or other irreversible lung disease that can be fatal, cancer, birth defects, and/or skin inflammation).

Some dusts and fumes created by drilling, breaking, hammering, sawing, grinding and other construction activities contain substances known to the State of California and other authorities to cause respiratory disease, cancer, birth defects, or other reproductive harm. Some examples of such substances are:

- Crystalline silica, cement, and other masonry products.
- Arsenic and chromium from chemically-treated rubber.
- Lead from lead-based paints.

Dust and fumes in the air can be invisible to the naked eye, so do not rely on eye sight to determine if there is dust or fumes in the air.

To reduce the risk of exposure to dust and fumes, do all of the following:

- ▶ Perform site-specific risk assessment. The risk assessment should include dust and fumes created by the use of the machine and the potential for disturbing existing dust.
- ▶ Use proper engineering controls to minimize the amount of dust and fumes in the air and to minimize build-up on equipment, surfaces, clothing, and body parts. Examples of controls include: exhaust ventilation and dust collection systems, water sprays, and wet drilling. Control dusts and fumes at the source where possible. Make sure that controls are properly installed, maintained and correctly used.
- ▶ Wear, maintain and correctly use respiratory protection as instructed by your employer and as required by occupational health and safety regulations. The respiratory protection must be effective for the type of substance at issue (and if applicable, approved by relevant governmental authority).
- ▶ Work in a well ventilated area.
- ▶ If the machine has an exhaust, direct the exhaust so as to reduce disturbance of dust in a dust filled environment.
- ▶ Operate and maintain the machine as recommended in the operating and safety instructions
- ▶ Select, maintain and replace consumables/ working tools/ other accessory as recommended in the operating and safety instructions. Incorrect selection or lack of maintenance of consumables/ inserted tools/ other accessories may cause an unnecessary increase in dust or fumes.
- ▶ Wear washable or disposable protective clothes at the worksite, and shower and change into clean clothes before leaving the worksite to reduce exposure of dust and fumes to yourself, other persons, cars, homes, and other areas.
- ▶ Avoid eating, drinking, and using tobacco products in areas where there is dust or fumes.
- ▶ Wash your hands and face thoroughly as soon as possible upon leaving the exposure area, and always before eating, drinking, using tobacco products, or making contact with other persons.
- ▶ Comply with all applicable laws and regulations, including occupational health and safety regulations.
- ▶ Participate in air monitoring, medical examination programs, and health and safety training programs provided by your employer or trade organizations and in accordance with occupational health and safety regulations and recommendations. Consult with physicians experienced with relevant occupational medicine.
- ▶ Work with your employer and trade organization to reduce dust and fume exposure at the worksite and to reduce the risks. Effective health and safety programs, policies and procedures for protecting workers and others against harmful exposure to dust and fumes should be established and implemented based on advice from health and safety experts. Consult with experts.
- ▶ Residues of hazardous substances on the machine can be a risk. Before undertaking any maintenance on the machine clean it thoroughly.

▲ WARNING Projectiles

Failure of the work piece, of accessories, or even of the machine itself may generate high velocity projectiles. During operating, splinters or other particles from the working material may become projectiles and cause personal injury by striking the operator or other persons. To reduce these risk:

- ▶ Use approved personal protective equipment and safety helmet, including impact resistant eye protection with side protection.
- ▶ Make sure that no unauthorised persons trespass into the working zone.
- ▶ Keep the workplace free from foreign objects.
- ▶ Ensure that the work piece is securely fixed.

▲ WARNING Splinters hazard

Using the insertion tool as a hand struck tool can result in splinters hitting the operator and can cause personal injury.

- ▶ Never use an insertion tool as a hand struck tool. They are specifically designed and heat-treated to be used only in a machine.

▲ WARNING Slipping, tripping and falling hazards

There is a risk of slipping or tripping or falling, for example tripping on the hoses or on other objects. Slipping or tripping or falling can cause injury. To reduce this risk:

- ▶ Always make sure that no hose or other object is in your way or in any other person's way.
- ▶ Always make sure you are in a stable position with your feet as far apart as your shoulders width and keeping a balanced body weight.

▲ WARNING Motion hazards

When using the machine to perform work-related activities, you may experience discomfort in the hands, arms, shoulders, neck, or other parts of the body.

- ▶ Adopt a comfortable posture whilst maintaining secure footing and avoiding awkward off-balanced postures.
- ▶ Changing posture during extended tasks may help avoid discomfort and fatigue.
- ▶ In case of persistent or recurring symptoms, consult a qualified health professional.

▲ WARNING Vibration hazards

Normal and proper use of the machine exposes the operator to vibration. Regular and frequent exposure to vibration may cause, contribute to, or aggravate injury or disorders to the operator's fingers, hands, wrists, arms, shoulders and/or nerves and blood supply or other body parts, including debilitating and/or permanent injuries or disorders that may develop gradually over periods of weeks, months, or years. Such injuries or disorders may include damage to the blood circulatory system, damage to the nervous system, damage to joints, and possibly damage to other body structures.

If numbness, persistent recurring discomfort, burning sensation, stiffness, throbbing, tingling, pain, clumsiness, weakened grip, whitening of the skin, or other symptoms occur at any time, when operating the machine or when not operating the machine, stop operating the machine, tell your employer and seek medical attention. Continued use of the machine after the occurrence of any such symptom may increase the risk of symptoms becoming more severe and/or permanent.

Operate and maintain the machine as recommended in these instructions, to prevent an unnecessary increase in vibration.

The following may help to reduce exposure to vibration for the operator:

- ▶ Let the tool do the job. Use a minimum hand grip consistent with proper control and safe operation.
- ▶ If the machine has vibration absorbing handles, keep them in a central position, avoid pressing the handles into the end stops.
- ▶ When the percussion mechanism is activated, the only body contact with the machine you should have are your hands on the handle or handles. Avoid any other contact, for example supporting any part of the body against the machine or leaning onto the machine trying to increase the feed force. It is also important not to keep the start and stop device engaged while extracting the tool from the broken work surface.
- ▶ Make sure that the inserted tool is well-maintained (including sharpness, if a cutting tool), not worn out, and of the proper size. Insertion tools that are not well-maintained, or that are worn out, or that are not of the proper size result in longer time to complete a task (and a longer period of exposure to vibration) and may result in or contribute to higher levels of vibration exposure.
- ▶ Immediately stop working if the machine suddenly starts to vibrate strongly. Before resuming the work, find and remove the cause of the increased vibrations.
- ▶ Never grab, hold or touch the inserted tool when using the machine.

- ▶ Participate in health surveillance or monitoring, medical exams and training programs offered by your employer and when required by law.
- ▶ When working in cold conditions wear warm clothing and keep hands warm and dry.
- ▶ The exhaust air is strongly chilled and shall not make contact with the operator. Always direct the exhaust air away from hands and body.

See the "Noise and vibration declaration statement" for the machine, including the declared vibration values. This information can be found at the end of these Safety and operating instructions.

- ◆ Comply with the recommended air-pressure when operating the machine. Either higher or lower air-pressure has the potential of resulting in higher levels of vibration.

▲ DANGER Electrical hazard

The machine is not electrically insulated. If the machine comes into contact with electricity, serious injuries or death may result.

- ▶ Never operate the machine near any electric wire or other source of electricity.
- ▶ Make sure that there are no concealed wires or other sources of electricity in the working area.

▲ WARNING Concealed object hazard

During operating, concealed wires and pipes constitute a danger that can result in serious injury.

- ▶ Check the composition of the material before operating.
- ▶ Watch out for concealed cables and pipes for example electricity, telephone, water, gas and sewage lines etc.
- ▶ If the inserted tool seems to have hit a concealed object, switch off the machine immediately.
- ▶ Make sure that there is no danger before continuing.

▲ WARNING Involuntary start

Involuntary start of the machine may cause injury.

- ▶ Keep your hands away from the start and stop device until you are ready to start the machine.
- ▶ Learn how the machine is switched off in the event of an emergency.
- ▶ Release the start and stop device immediately in all cases of power supply interruption.
- ▶ Whenever fitting or removing the insertion tool, switch off the air supply, bleed the machine by pressing the start and stop device and disconnect the machine from the power source.

▲ WARNING Noise hazard

High noise levels can cause permanent and disabling hearing loss and other problems such as tinnitus (ringing, buzzing, whistling, or humming in the ears). To reduce risks and prevent an unnecessary increase in noise levels:

- ▶ Risk assessment of these hazards and implementation of appropriate controls is essential.
- ▶ Operate and maintain the machine as recommended in these instructions.
- ▶ Select, maintain and replace the working tool as recommended in these instructions.
- ▶ If the machine has a silencer, check that it is in place and in good working condition.
- ▶ Always use hearing protection.
- ▶ Use damping material to prevent work pieces from 'ringing'.

Maintenance, precautions

▲ WARNING Machine modification

Any machine modification may result in bodily injuries to yourself or others.

- ▶ Never modify the machine. Modified machines are not covered by warranty or product liability.
- ▶ Always use original parts, working tools and accessories approved by Atlas Copco.
- ▶ Change damaged parts immediately.
- ▶ Replace worn components in good time.

▲ CAUTION Hot insertion tool

The tip of the insertion tool can become hot and sharp when used. Touching it can lead to burns and cuts.

- ▶ Never touch a hot or sharp insertion tool.
- ▶ Wait until the insertion tool has cooled down before carrying out maintenance work.

▲ WARNING Working tool hazards

Accidental engagement of the start and stop device during maintenance or installation can cause serious injuries, when the power source is connected.

- ▶ Never inspect, clean, install, or remove the working tool while the power source is connected.

Storage, precautions

- ◆ Keep the machine and tools in a safe place, out of the reach of children and locked up.

Overview

To reduce the risk of serious injury or death to yourself or others, read the Safety instructions section found on the previous pages of this manual before operating the machine.

Design and function

These instructions are valid for the TEX 07PE.

The TEX 07PE is a machine with a vibration damping D-handle, designed for light demolition and plant work. The machine can be used both horizontally and vertically. No other use is permitted.

To choose the correct insertion tool, see the spare parts list.

Choosing the correct pneumatic hammer for a task

It is important to choose the correct size of pneumatic hammer for the work to be performed.

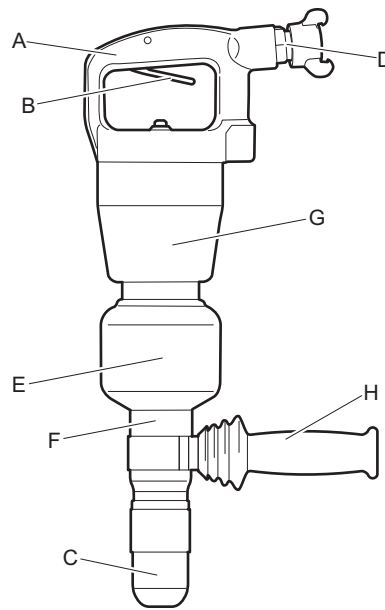
A pneumatic hammer that is too small means that the work will take longer.

A hammer that is too big means that there must be frequent repositioning, which is unnecessarily tiring for the operator.

A simple rule for choosing the correct size of pneumatic hammer is that a normal sized piece of broken material should be removed from the workpiece within 5–10 seconds operation.

- If it takes less than 5 seconds a smaller pneumatic hammer should be selected.
- If it takes more than 10 seconds a larger pneumatic hammer should be selected.

Main parts

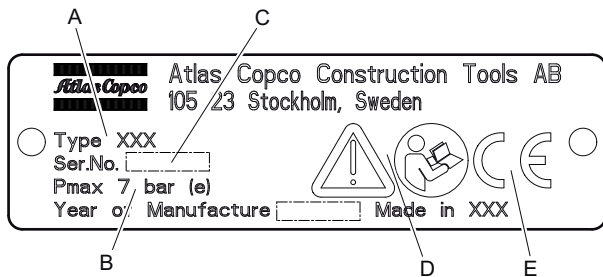


- A. Handle
- B. Trigger
- C. Tool retainer
- D. Air inlet
- E. Silencer
- F. Cylinder
- G. Housing
- H. Front handle (optional)

Labels

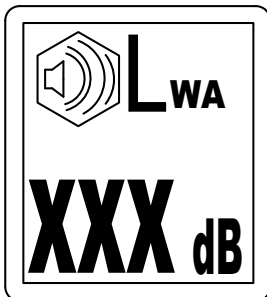
The machine is fitted with labels containing important information about personal safety and machine maintenance. The labels must be in such condition that they are easy to read. New labels can be ordered from the spare parts list.

Data plate



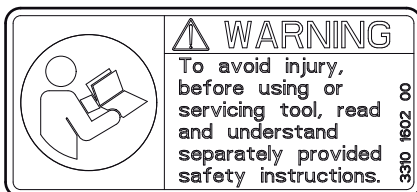
- A. Machine type
- B. Maximum permitted compressed air pressure
- C. Serial number
- D. The warning symbol together with the book symbol means that the user must read the safety and operating instructions before the machine is used for the first time.
- E. The CE symbol means that the machine is EC-approved. See the EC declaration which is delivered with the machine for more information. If the CE symbol is missing, it means that the machine is not EC-approved.

Noise level label



The label indicates the guaranteed noise level corresponding to EC-directive 2000/14/EC. See "Technical data" for accurate noise level.

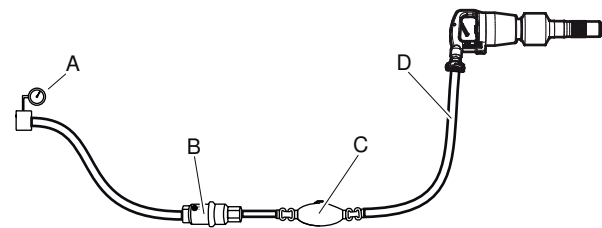
Safety label



To avoid injury, before using or servicing tool, read and understand separately provided safety instructions.

Installation

Hoses and connections



- A. Compressed air source
 - B. Water separator (optional)
 - C. Lubricator (optional)
 - D. Max. 3 m (10 ft) compressed air hose between the lubricator and the machine.
- ◆ Check that you are using the correct recommended operating pressure, 6 bar (e) (87 psi).
 - ◆ The maximum permissible air pressure, 7 bar (e) (102 psi), must not be exceeded.
 - ◆ Blow any impurities out of the compressed air hose before connecting it to the machine.
 - ◆ Select the correct dimension and length for the compressed air hose. For hose lengths up to 30 m (100 ft), a hose with a minimum internal diameter of 19 mm (3/4 in.) must be used. If the hose length is between 30 and 100 m (100 and 330 ft), a hose with a minimum internal diameter of 25 mm (1 in.) must be used.

Methods to prevent freezing

Ice formation in the silencer can occur when the ambient air temperature is 0–10°C (32–50 °F) and the relative humidity is high.

The machine is designed to avoid the formation of ice in the silencer. Despite this, under extreme conditions ice can form in the silencer.

Take the following actions to further counteract the risk of ice formation:

- ◆ Use Atlas Copco Breaker and hammer AIR-OIL as a lubricant. Breaker and hammer AIR-OIL counteracts freezing.
- ◆ Use a water separator.

Connecting a water separator

The length of the air hose between the compressor and the water separator must be such that the water vapor is cooled and condenses in the hose before reaching the water separator.

If the ambient temperature is below 0 °C (32 °F) the hose must be short enough to prevent the water from freezing before reaching the water separator.

Lubrication

The lubricant is important for the machine's function and has a great impact on the useful service life. If there is no integrated lubricator, then connect a separate lubricator to the air hose. To guarantee good lubrication, the length of the air hose between the separate lubricator and the pneumatic machine should not exceed 3 meters.

Use a synthetic lubricant such as Atlas Copco Breaker and hammer AIR-OIL or mineral oil with the properties recommended in the table below.

Lubricant	Temperature range (°C)	Viscosity
Breaker and hammer AIR-OIL	-30 to +50	-
Mineral oil/Synthetic oil	+15 to +50	ISO VG 46–68
Mineral oil/Synthetic oil	-20 to +15	ISO VG 22–32

Insertion tool

▲ CAUTION Hot insertion tool

The tip of the insertion tool can become hot and sharp when used. Touching it can lead to burns and cuts.

- ▶ Never touch a hot or sharp insertion tool.
- ▶ Wait until the insertion tool has cooled down before carrying out maintenance work.

NOTICE Never cool a hot insertion tool in water, it can result in brittleness and early failure.

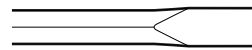
Selecting the right insertion tool

Selecting the right insertion tool is a precondition for proper machine function. It is important to select insertion tools of high quality to avoid unnecessary machine damage.

The machine can be destroyed if you use an incorrect insertion tool.

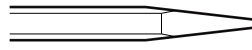
Recommended insertion tools are listed in the machine's spare parts list.

Narrow chisel



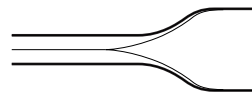
The narrow chisel is used for demolition and cutting work in concrete and other types of hard materials.

Moil point



The moil point is only used for making holes in concrete and other types of hard materials.

Wide bladed chisel

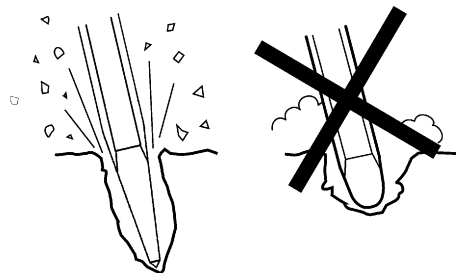


The wide bladed chisel is used in soft materials, such as asphalt and frozen ground.

▲ WARNING Vibration hazard

Using inserted tools that do not fulfil the criterias mentioned below, will result in a longer time to complete a task, and may result in higher levels of vibration exposure. A worn tool will also cause increased working time.

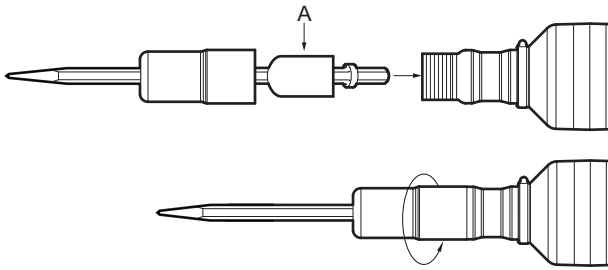
- ▶ Make sure that the inserted tool is well-maintained, not worn out and of the proper size.
- ▶ Always use a sharp tool in order to work efficiently.



Fitting and removing the insertion tool

Whenever fitting or removing the insertion tool the following instructions must be observed:

- ◆ To prevent an accidental start: switch off the air supply and disconnect the machine from the power source. Bleed the machine by pressing the start and stop device.
- ◆ Before inserting a tool, lubricate the tool shank with grease.
- ◆ Close the tool retainer and check the lock function by tugging the inserted tool sharply outwards.



1. Place the cap over the hexagon body of the insertion tool.
2. Place the buffer (A) over the stem of the insertion tool.
3. Insert the insertion tool into the cylinder and screw the cap onto the cylinder until it is locked.

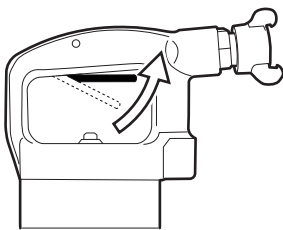
Operation

▲ WARNING Involuntary start

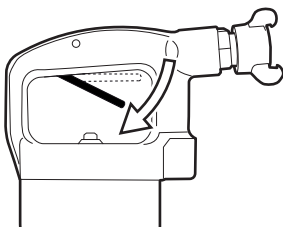
Involuntary start of the machine may cause injury.

- ▶ Keep your hands away from the start and stop device until you are ready to start the machine.
- ▶ Learn how the machine is switched off in the event of an emergency.
- ▶ Stop the machine immediately in all cases of power supply interruption.

Start and stop



Start the machine by squeezing the trigger while firmly holding the handle.

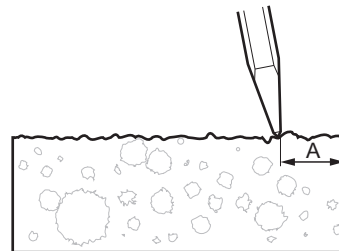


Stop the machine by releasing the trigger. The trigger returns automatically to the stop position.

Operating

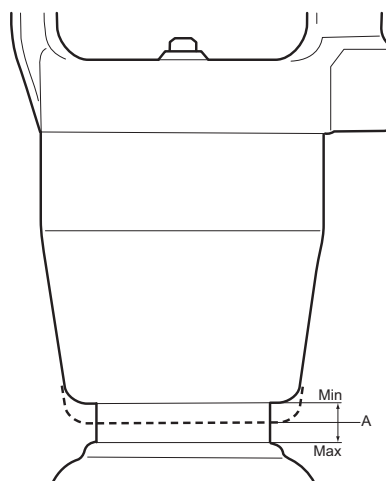
Starting a cut

- ◆ Stand in a stable position with your feet well away from the inserted tool.
- ◆ Press the machine against the working surface before you start.
- ◆ Start collaring at such a distance from the edge that the machine is capable of breaking the material without levering.
- ◆ Never try to break off too large pieces. Adjust the breaking distance (A) so that the inserted tool does not get stuck.



Breaking

- ◆ Let the machine do the work; do not press too hard. The vibration-absorbing handle must absolutely not be pressed all the way down to the base.
- ◆ For pneumatic machines with vibration-absorbing handles: The feed force should be adapted so that the handle is pressed down 'half way'. The best vibration damping and breaking effect is achieved at this position.



- ◆ Avoid working in extremely hard materials for example granite and reinforcing iron (re-bar) which would cause substantial vibrations.

- ◆ Any form of idling, operating without insertion tool or operating with an uplifted machine must be avoided.
- ◆ When the machine is lifted, the start and stop device must not be activated.
- ◆ Check regularly that the machine is well lubricated.

When taking a break

- ◆ During all breaks you must place the machine in such a way that there is no risk for it to be unintentionally started. Make sure to place the machine on the ground, so that it can not fall.
- ◆ In the event of a longer break or when leaving the workplace: Switch off the power supply and then bleed the machine by activating the start and stop device.

Maintenance

Regular maintenance is a basic requirement for the continued safe and efficient use of the machine. Follow the maintenance instructions carefully.

- ◆ Before starting maintenance on the machine, clean it in order to avoid exposure to hazardous substances. See “Dust and fume hazards”
- ◆ Use only authorised parts. Any damage or malfunction caused by the use of unauthorised parts is not covered by warranty or product liability.
- ◆ When cleaning mechanical parts with solvent, comply with appropriate health and safety regulations and ensure there is satisfactory ventilation.
- ◆ For major service of the machine, contact the nearest authorised workshop.
- ◆ After each service, check that the machine's vibration level is normal. If not, contact the nearest authorised workshop.

Every day

Before undertaking any maintenance or changing the insertion tool on pneumatic machines, always switch off the air supply and bleed the machine by depressing the start and stop device. Then disconnect the air hose from the machine.

- ◆ Clean and inspect the machine and its functions each day before the work commences.
- ◆ Check the tool retainer for wear and function.
- ◆ Conduct a general inspection for leaks and damage.
- ◆ Check that the air inlet nipple is tightened and that the claw coupling is free from damage.
- ◆ For the machine to maintain the specified vibration values, always check the following:
Too large a clearance between the insertion tool's shank and the chisel bushing will generate increased vibrations. To avoid being exposed to excessive vibrations, check the chisel bushing for wear every day.
- ◆ If the machine has a vibration-absorbing handle/handles, check that it moves freely (up and down) and does not jam.
- ◆ Change damaged parts immediately.
- ◆ Replace worn components in good time.
- ◆ Make sure that all the attached and related equipment, such as hoses, water separators and lubricators are properly maintained.

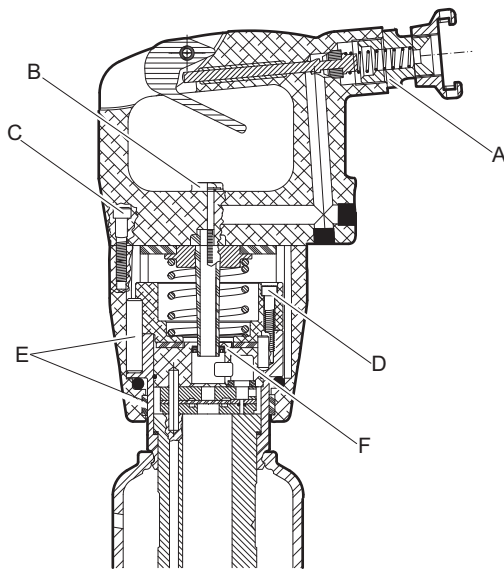
Periodic maintenance

After each operating period of approximately 100 impact hours or three times a year the machine must be dismantled and all parts be cleaned and checked. This work must be performed by authorized staff, trained for this task.

As a guideline, to maintain a high output the parts in the table must not be worn more than the dimensions stated. Note that the TEX 07PE does not have air cushion damping of the piston. This means that the damping ability cannot be used to determine the degree of wear on the piston and cylinder.

Part	Max. inner diameter (mm)	Min. outer diameter (mm)
Cylinder	28.63	-
Piston	-	28.50

Assembly instructions



- A. Torque: 88-95 Nm, use Loctite® 243™ (Loctite is a registered trademark of Henkel Corporation. 243 is a trademark of Henkel Corporation.)
- B. Torque: 15-17 Nm, UNF ¼" x 44 (1-¾")
- C. Torque: 15-17 Nm, UNC ¼" x 32 (1-¼")
- D. Torque: 17 Nm, use Loctite® 243™, M6 x 40 - 12.9
- E. Do not lubricate support rolls, wear ring or corresponding contact surfaces.
- F. Remove the O-ring from the seal before assembly. The O-ring is only a support to ensure that the seal retains the correct shape until it is fitted.

Troubleshooting

If the pneumatic machine does not start, has low power or uneven performance, check the following points.

- ◆ Check that the insertion tool being used has the correct shank dimension.
- ◆ Check that the pneumatic machine is getting the correct amount of lubricant. Too much lubrication can cause starting problems, low power or uneven performance.
- ◆ Check that the compressed air system supplies the machine with sufficient air pressure to give full power.

- ◆ Check that the dimension and length of the air hose are according to the recommendations. See "Installation".
- ◆ If there is a risk of freezing, check that the machine's exhaust ports are not blocked.
- ◆ If the machine function is still not satisfactory after this procedure, contact an authorised service workshop.

Storage

- Clean the machine properly before storage, in order to avoid hazardous substances. See "Dust and fume hazard"
- Pour approximately ½ oz (5 cl) of oil directly into the air inlet nipple, connect the machine to the compressed air supply and start it for a few seconds.
- Always store the machine in a dry place.

Disposal

A used machine must be treated and disposed of in such a way that the greatest possible portion of the material can be recycled and any negative influence on the environment is kept as low as possible, and in respect to local restrictions.

Technical data

Machine data

Type	Shank dimension mm	Weight kg	Length mm	Impact freq. Hz	Air consumption l/s
TEX 07PE	H19 x 50	8.7	525	29.5	17
TEX 07PE, with front side handle	H19 x 50	9.0	525	29.5	17

Noise and vibration declaration statement

Guaranteed sound power level **L_w** according to EN ISO 3744 in accordance with directive 2000/14/EC.

Sound pressure level **L_p** according to EN ISO 11203.

Vibration value **A** and uncertainty **B** determined according to EN ISO 20643. See table "Noise and vibration data" for the values of A, B, etc.

These declared values were obtained by laboratory type testing in accordance with the stated directive or standards and are suitable for comparison with the declared values of other tools tested in accordance with the same directive or standards. These declared values are not suitable for use in risk assessments and values measured in individual work places may be higher. The actual exposure values and risk of harm experienced by an individual user are unique and depend upon the way the user works, in what material the machine is used, as well as upon the exposure time and the physical condition of the user, and the condition of the machine.

We, Atlas Copco Construction Tools AB, cannot be held liable for the consequences of using the declared values, instead of values reflecting the actual exposure, in an individual risk assessment in a work place situation over which we have no control.

This tool may cause hand-arm vibration syndrome if its use is not adequately managed. An EU guide to managing hand-arm vibration can be found at <http://www.humanvibration.com/humanvibration/EU/VIBGUIDE.html>

We recommend a programme of health surveillance to detect early symptoms which may relate to vibration exposure, so that management procedures can be modified to help prevent future impairment.

Additional vibration information

This information is provided to assist in making rough estimates of the vibration value in the workplace.

The vibration emission varies greatly with task and operator technique. The declared vibration value relates to the main handle(s) and much higher vibration levels may occur at other hand positions. We believe that normal intended use of the tool will usually produce vibration emissions in the range of **C^{m/s²}** and **E^{m/s²}** (vibration total values, as defined in EN ISO 5349-1) depending on the details of the task, but emissions outside this range may occur for some applications.

A figure of **D^{m/s²}** and **F^{m/s²}** is probably a useful average emission value when, for example, roughly estimating the likely average exposures of users performing a wide range of tasks within the intended use of the tool. We point out that application of the tool to a sole specialist task may produce a different average emission and in such cases we strongly recommend a specific evaluation of the vibration emission.

Noise and vibration data

Type	Noise		Vibration					
	Sound pressure	Sound power	Three axes values					
	Declared values		Declared values		Additional vibration information			
	EN ISO 11203	2000/14/EC	EN ISO 20643		Concrete		Brick	
	Lp r=1m dB(A) rel 20µPa	Lw guaranteed dB(A) rel 1pW	A m/s ² value	B m/s ² spreads	C m/s ² range	D m/s ² ave.	E m/s ² range	F m/s ² ave.
TEX 07PE With D-handle only	87	104	12.4	1.7	9.0-11.9	10.5	7.9-10.0	9.0
TEX 07PE With D-handle and front side handle	87	104	10.5	1.5	7.5-11.2	9.6	9.6-12.2	10.6

EC Declaration of Conformity

EC Declaration of Conformity (EC Directive 2006/42/EC)

We, Atlas Copco Construction Tools AB, hereby declare that the machines listed below conform to the provisions of EC Directive 2006/42/EC (Machinery Directive) and 2000/14/EC (Noise Directive), and the harmonised standards mentioned below.

Handheld pneumatic pick hammers	Guaranteed sound power level [dB(A)]	Measured sound power level [dB(A)]	Pmax (bar)
TEX 07PE	104	98	7

Following harmonised standards were applied:

- ◆ EN ISO 11148-4

Following other standards were applied:

- ◆ Lloyds Register Quality Assurance, NoBo no.0088

Technical Documentation authorised representative:

Per Forsberg
 Atlas Copco Construction Tools AB
 Dragonvägen 2
 Kalmar

Vice president Design and Development:

Erik Sigfridsson

Manufacturer:

Atlas Copco Construction Tools AB
 105 23 Stockholm
 Sweden

Place and date:

Kalmar, 2012-06-30

FRANÇAIS

Sommaire

Introduction.....	25
À propos des prescriptions de sécurité et des instructions pour l'opérateur.....	25
Consignes de sécurité.....	26
Indications de sécurité.....	26
Précautions et qualifications du personnel.....	26
Équipement de protection du personnel.....	26
Drogues, alcool ou médicaments.....	26
Installation, précautions.....	26
Fonctionnement, précautions.....	27
Maintenance, précautions.....	32
Stockage, précautions.....	32
Vue d'ensemble.....	33
Conception et fonctionnement.....	33
Choix du brise-béton pneumatique adapté à une tâche donnée.....	33
Principales pièces.....	33
Étiquettes.....	33
Plaque signalétique.....	34
Étiquette niveau du bruit.....	34
Étiquette de sécurité.....	34
Installation.....	34
Flexibles et connexions.....	34
Méthodes pour éviter le gel.....	34
Branchement d'un séparateur d'eau.....	35
Lubrification.....	35
Outil d'insertion.....	35
Sélection du bon outil d'insertion.....	35
Burin étroit.....	35
Burin à pointe aiguisée.....	35
Burin à lame large.....	35
Fixation et retrait de l'outil d'insertion.....	35
Commande.....	36
Marche/arrêt.....	36
Utilisation.....	36
Démarrage d'une coupe.....	36
Casse.....	37
Lors des pauses.....	37
Maintenance.....	37
Chaque jour.....	37
Maintenance périodique.....	38
Montageanweisungen.....	38
Recherche de pannes.....	38
Stockage.....	39
Destruction d'une machine usagée.....	39
Caractéristiques techniques.....	40
Caractéristiques de la machine.....	40
Énoncé déclaratif sur les vibrations et le bruit.....	40
Informations supplémentaires relatives aux vibrations.....	40

Données relatives au bruit et aux vibrations	41
Déclaration CE de conformité	42
Déclaration CE de conformité (Directive 2006/42/CE)	42

Introduction

Nous vous remercions d'avoir choisi un produit Atlas Copco. Depuis 1873, nous nous efforçons de trouver des solutions pertinentes et adaptées aux besoins de nos clients. Au fil des ans, nous avons développé des produits innovants et ergonomiques qui contribuent à l'amélioration et à la rationalisation du travail quotidien de nos clients.

Atlas Copco dispose d'un solide réseau de distribution et de service après-vente, constitué de centres de clientèle et de distributeurs, partout dans le monde. Nos experts sont des professionnels formés, bénéficiant d'un savoir-faire global en termes de produits et d'applications. Aux quatre coins du monde, nous sommes en mesure d'offrir le soutien et l'expérience requis pour garantir à nos clients une efficacité optimale et continue de leur activité.

Pour plus d'informations, veuillez consulter le site Web suivant :
www.atlascopco.com

Atlas Copco Construction Tools AB
105 23 Stockholm
Sweden

À propos des prescriptions de sécurité et des instructions pour l'opérateur

Le but des instructions est de vous apprendre à utiliser le brise-béton pneumatique d'une manière efficace et en toute sécurité. Les instructions vous donnent également des conseils et vous indiquent comment effectuer la maintenance de routine du brise-béton pneumatique.

Vous devez lire ces instructions attentivement et les comprendre avant d'utiliser le brise-béton pneumatique pour la première fois.

Consignes de sécurité

Il convient de lire et d'assimiler les Prescriptions de sécurité et des instructions pour l'opérateur avant toute installation, utilisation, réparation, entretien ou remplacement d'accessoire sur la machine, afin de minimiser le risque de blessures graves ou de dommages pouvant entraîner la mort.

Affichez les Prescriptions de sécurité et instructions pour l'opérateur sur les différents sites de travail ; faites en des copies pour les employés et assurez-vous que chaque personne concernée a bien lu les Prescriptions de sécurité et instructions pour l'opérateur, avant d'utiliser ou d'intervenir sur la machine.

En outre, l'opérateur ou l'employeur doit évaluer les risques spécifiques pouvant survenir à la suite de chaque utilisation de la machine.

Indications de sécurité

Les indications de sécurité Danger, Attention et Prudence ont les sens suivants :

DANGER	Indique une situation dangereuse qui, si elle n'est pas évitée, terminera par provoquer la mort ou des blessures graves.
AVERTISSEMENT	Indique une situation dangereuse qui, si elle n'est pas évitée, est de susceptible de provoquer la mort ou des blessures graves.
ATTENTION	Indique une situation dangereuse qui, si elle n'est pas évitée, est de susceptible de provoquer des blessures mineures à modérées.

Précautions et qualifications du personnel

Seules des personnes qualifiées ou formées peuvent utiliser ou procéder à l'entretien de la machine. Elles doivent être physiquement aptes à manipuler le volume, le poids et la puissance de l'outil. Utilisez toujours votre jugement et votre bon sens.

Équipement de protection du personnel

Utilisez toujours un équipement de protection individuelle homologué. Les opérateurs et toutes autres personnes séjournant sur la zone de travail doivent porter un équipement de protection individuelle, incluant au minimum :

- Casque de protection
- Protections auditives
- Protecteurs des yeux résistants aux chocs avec protection latérale
- Appareil de protection respiratoire, le cas échéant
- Gants de protection
- Bottes de protection adaptées
- Salopette de travail appropriée ou vêtement similaire (serré) qui recouvre les bras et les jambes.

Drogues, alcool ou médicaments

▲ AVERTISSEMENT Drogues, alcool ou médicaments

Les drogues, l'alcool ou les médicaments risquent d'avoir un effet négatif sur votre jugement et votre capacité de concentration. De mauvaises réactions et des évaluations incorrectes peuvent entraîner des accidents graves, voire la mort.

- ▶ N'utilisez jamais la machine lorsque vous êtes fatigué(e) ou sous l'influence de drogues, de l'alcool ou de médicaments.
- ▶ L'utilisation de la machine par une personne sous l'influence de drogues, de l'alcool ou de médicaments est strictement interdite.

Installation, précautions

▲ DANGER Coup de fouet d'un flexible pneumatique

Un flexible d'air comprimé qui se détache risque de fouetter dans tous les sens et de provoquer des dommages corporels ou la mort. Pour réduire ce risque :

- ▶ Vérifiez que le flexible d'air comprimé et les raccords ne sont pas endommagés. Les remplacer si nécessaire.
- ▶ Vérifiez que les raccords d'air comprimé sont correctement fixés.
- ▶ Ne jamais porter une machine pneumatique par le flexible d'air.

- ▶ Ne jamais essayer de débrancher un flexible d'air comprimé sous pression. D'abord, coupez l'alimentation en air comprimé au niveau du compresseur, puis purgez la machine en activant le dispositif de marche/arrêt.
- ▶ N'utilisez pas de raccords rapides à l'entrée de l'outil. Utilisez des raccords filetés en acier trempé (ou un matériau présentant une résistance aux chocs comparable).
- ▶ Chaque fois que des raccords universels (raccords à griffes) sont utilisés, nous recommandons de monter des goupilles de verrouillage et d'utiliser des câbles de sécurité pour tuyaux flexibles, afin d'empêcher tout relâchement d'un accouplement flexible - outil et tuyau - tuyau.

▲ DANGER Air sous pression

De l'air sous haute pression qui heurte le corps peut pénétrer la peau et causer des blessures graves voire la mort.

- ▶ Toujours couper l'alimentation en air, le tuyau de vidange de la pression d'air et débranchez l'appareil d'alimentation en air lorsqu'il n'est pas utilisé, avant de changer les accessoires ou d'effectuer des réparations.
- ▶ Ne jamais pointer un flexible d'air comprimé sur soi ou sur quelqu'un d'autre. Afin d'éviter tout risque de blessure, ne jamais utiliser l'air comprimé pour nettoyer la poussière, les salissures, etc., sur vos vêtements.

▲ AVERTISSEMENT Outil d'insertion éjecté

Si la sécurité de l'outil n'est pas verrouillée sur la machine, l'outil d'insertion risque d'être éjecté avec force, et de provoquer des dommages corporels.

- ▶ Ne démarrez jamais la machine au moment du changement de l'outil d'insertion.
- ▶ Avant de changer l'outil d'insertion ou un accessoire, arrêtez la machine, coupez l'alimentation électrique et purgez la machine en activant le dispositif de marche/arrêt.
- ▶ Ne jamais pointer l'outil inséré vers soi-même ni vers autrui.
- ▶ Assurez-vous que l'outil d'insertion est entièrement inséré et que la sécurité de l'outil est en position verrouillée avant tout démarrage de la machine.
- ▶ Vérifiez la fonction de verrouillage en tirant énergiquement l'outil inséré vers l'extérieur.

▲ AVERTISSEMENT Déplacement / glissement d'outil d'insertion

Une dimension incorrecte de L'emmanchement de l'outil inséré peut induire la perte ou le glissement de ce dernier pendant le fonctionnement. Risque de blessure grave ou d'écrasement des mains et des doigts.

- ▶ Vérifiez que l'outil d'insertion utilisé possède la bonne taille d'emmanchement et les dimensions pour lesquelles la machine est prévue.
- ▶ Ne jamais utiliser un outil d'insertion sans collet.

Fonctionnement, précautions

▲ DANGER Danger d'explosion

Si un outil d'insertion chaud entre en contact avec un explosif ou avec des gaz explosifs, cela pourrait provoquer une explosion. Lors de travaux sur certains matériaux et lors d'utilisation de certains matériaux dans les pièces de la machine, des étincelles susceptibles d'enflammer des gaz peuvent provoquer des explosions. Les explosions peuvent provoquer des dommages corporels voire la mort.

- ▶ Ne jamais utiliser la machine dans un environnement explosif quelconque.
- ▶ N'utilisez jamais cette machine près de poussières, d'émanations ou de matériaux inflammables.
- ▶ Assurez-vous qu'il n'y a aucune source de gaz non identifiée ni explosifs dans les environs.

▲ AVERTISSEMENT Mouvements inopinés

L'outil inséré est soumis à des efforts importants lors de l'utilisation de la machine. L'outil inséré peut se rompre à cause de la fatigue après un certain temps d'utilisation. En cas de rupture ou de blocage de l'outil inséré, des mouvements soudains et imprévus peuvent se produire et entraîner des blessures. En outre, les pertes d'équilibre ou les glissades peuvent provoquer des blessures.

- ▶ Assurez-vous de toujours adopter une position stable, les pieds dans le prolongement de vos épaules et votre poids bien réparti sur les deux jambes.
- ▶ Vérifiez toujours l'équipement avant de l'utiliser. Évitez d'utiliser l'équipement s'il vous semble endommagé.
- ▶ Assurez-vous que les poignées sont toujours bien propres, sans graisse ni huile.
- ▶ Gardez vos pieds éloignés de l'outil inséré.
- ▶ Restez bien droit et tenez toujours la machine à deux mains.

- ▶ Ne mettez pas la machine en marche lorsqu'elle est posée sur le sol.
- ▶ Ne « chevauchez » jamais la machine, une jambe passée sur la poignée.
- ▶ Ne maltraitez jamais l'équipement.
- ▶ Examinez régulièrement l'usure de l'outil d'insertion et contrôlez la présence éventuelle de signes de détérioration ou de fissures visibles.
- ▶ Soyez vigilant et concentrez-vous sur ce que vous faites.

▲ AVERTISSEMENT Dangers liés aux poussières et aux fumées

Les poussières et/ou de fumées générées ou dispersées lors de l'utilisation de la machine peuvent causer des maladies respiratoires graves et permanentes, ou autre lésion corporelle (par exemple, la silicose ou autre maladie pulmonaire irréversible qui peut être mortelle, cancer, malformations congénitales et/ou inflammation de la peau).

Certaines poussières et fumées créées lors de foration, casse, martelage, sciage, meulage et autres activités de construction, contiennent des substances connues dans l'État de Californie et par d'autres autorités pour provoquer des maladies respiratoires, le cancer, des malformations congénitales ou autres problèmes de reproduction. Voici quelques exemples de ces substances :

- Silice cristalline, ciment et autres produits de maçonnerie.
- Arsenic et chrome provenant de caoutchouc traité chimiquement.
- Plomb provenant de peintures à base de plomb.

Les poussières et fumées dans l'air peuvent être invisibles à l'œil nu. Par conséquent, ne comptez pas sur la vue oculaire pour déterminer s'il y a des poussières ou des fumées dans l'air.

Pour réduire les risques d'exposition aux poussières et fumées, effectuez tout ce qui suit :

- ▶ Effectuez une évaluation des risques spécifiques au site. L'évaluation des risques devra inclure les poussières et les vapeurs créées par l'utilisation de la machine et les poussières susceptibles d'incommoder le voisinage.
- ▶ Utilisez la sécurité intégrée appropriée pour minimiser la quantité de poussières et de fumées dans l'air et leur accumulation sur les équipements, les surfaces, les vêtements et les parties du corps. Exemples de mesures applicables : systèmes de ventilation aspirante et de captage des poussières, pulvérisation d'eau et forage humide. Contrôlez les poussières et les fumées à la source lorsque cela est possible. Assurez-vous que ces systèmes sont correctement installés, entretenus et utilisés.
- ▶ Porter, entretenir et utiliser correctement l'appareil de protection respiratoire comme indiqué par votre employeur et tel que requis par les réglementations de santé et de sécurité. L'appareil de protection respiratoire doit être compatible avec le type de substance en cause (et le cas échéant, approuvé par l'autorité gouvernementale pertinente).
- ▶ Travailler dans une zone bien ventilée.

- ▶ Si la machine dispose d'un système d'échappement, dirigez ce dernier de manière à réduire les mouvements de poussière dans un environnement chargé en poussières.
- ▶ Exploiter et entretenir la machine comme cela est recommandé dans les Prescriptions de sécurité et instructions pour l'opérateur.
- ▶ Sélectionner, entretenir et remplacer les consommables / les outils d'insertion / et autres accessoires comme cela est recommandé dans les Prescriptions de sécurité et instructions pour l'opérateur. Le choix incorrect ou le défaut d'entretien de consommables / outils d'insertion / et autres accessoires peut provoquer une augmentation inutile des poussières ou fumées.
- ▶ Sur le lieu de travail, portez des vêtements de protection lavables ou jetables. Avant de quitter le lieu de travail, douchez-vous et changez de vêtements, pour réduire votre exposition aux poussières et fumées et celle des autres, des voitures, des maisons et des autres zones.
- ▶ Évitez de manger, boire ou fumer hors dans les zones exposées aux poussières ou aux fumées.
- ▶ Lavez-vous les mains et le visage dès que possible avant de quitter la zone exposée, et toujours avant de manger, boire ou fumer, ou d'entrer en contact avec d'autres personnes.
- ▶ Respectez toutes les lois et règlements applicables, y compris les normes de sécurité et de santé au travail.
- ▶ Participez à la surveillance de l'air, aux programmes d'examen médical, et aux programmes de formation à la santé et à la sécurité proposés par votre employeur ou les organisations professionnelles, et conformément aux normes et recommandations de sécurité et de santé au travail. Consultez un médecin spécialiste en médecine du travail.
- ▶ Discutez avec votre employeur et avec les organisations professionnelles, pour réduire l'exposition aux poussières et aux fumées sur le chantier, et pour réduire les risques. Mettre en place et appliquer des programmes de santé et de sécurité efficaces, des politiques et des procédures pour protéger les ouvriers et autres personnes contre toute exposition aux poussières et fumées nocives, sur les conseils de spécialistes de la santé et la sécurité. Consultez ces experts et spécialistes.
- ▶ Les résidus de substances dangereuses sur la machine peuvent constituer un risque. Avant d'entreprendre toute opération de maintenance sur la machine, la nettoyer soigneusement.

▲ AVERTISSEMENT Projectiles

Une pièce, des accessoires, ou même l'outil qui se détache peuvent se transformer en projectiles à grande vitesse. En cours de fonctionnement, des éclats de roche ou d'autres particules du matériau de travail peuvent se transformer en projectiles et provoquer des blessures en frappant l'opérateur ou d'autres personnes. Pour réduire ces risques :

- ▶ Utilisez des équipements de protection personnelle et un casque de sécurité approuvés, y compris une protection oculaire résistante avec protection latérale.
- ▶ Assurez-vous qu'aucune personne non autorisée ne pénètre dans la zone de travail.
- ▶ Maintenir le lieu de travail propre et exempt de corps étrangers.
- ▶ Assurez-vous que la pièce à travailler est correctement fixée.

▲ AVERTISSEMENT Risques liés aux éclats de roche

L'utilisation de l'outil d'insertion comme outil à main peut engendrer des éclats de roche qui risquent de heurter l'opérateur et de le blesser.

- ▶ Ne jamais utiliser l'outil d'insertion comme outil d'arasement. Ces outils sont spécialement conçus et traités thermiquement pour être utilisés uniquement dans une machine.

▲ AVERTISSEMENT Risques de glissades, de trébuchements et de chute

Il existe des risques de glissades, de trébuchements et de chute, par exemple sur des flexibles ou d'autres objets. Une glissade, un trébuchement ou une chute peut provoquer des blessures. Pour réduire ce risque :

- ▶ Toujours s'assurer qu'aucun flexible ou autre objet ne risque, d'une manière ou d'une autre, de gêner le passage d'une personne.
- ▶ Assurez-vous de toujours adopter une position stable, les pieds dans le prolongement de vos épaules et votre poids bien réparti sur les deux jambes.

▲ AVERTISSEMENT Risques liés aux mouvements

Lorsque vous utilisez la machine pour effectuer des travaux, vous pouvez ressentir de l'inconfort dans les mains, les bras, les épaules, le cou, ou d'autres parties du corps.

- ▶ Adoptez une position confortable tout en maintenant une base sûre et évitez les postures inconfortables en déséquilibre.
- ▶ Changer de posture durant les longues sessions de travail peut contribuer à éviter l'inconfort et la fatigue.
- ▶ En cas de symptômes persistants ou récurrents, consultez un professionnel de la santé qualifié.

▲ AVERTISSEMENT Dangers liés aux vibrations

L'utilisation normale et adéquate de la machine expose l'opérateur à des vibrations. L'exposition régulière et fréquente aux vibrations peut causer, contribuer à, ou aggraver les blessures ou les troubles au niveau des doigts, des mains, des poignets, des bras, des épaules et/ou des nerfs et de la circulation sanguine et/ou d'autres parties du corps de l'opérateur, y compris les blessures ou les troubles qui peuvent se développer graduellement sur des semaines, des mois, ou des années. De telles blessures ou troubles peuvent inclure des dommages au niveau du système de circulation sanguine, du système nerveux, des articulations et éventuellement au niveau d'autres parties du corps.

En cas d'apparition, à un moment quelconque, d'engourdissement, de malaises récurrents persistants, de sensation de brûlure, de raideur, de douleur lancinante, de fourmillement, de douleur, de maladresse, d'affaiblissement du poignet, de blanchissement de la peau ou d'autres symptômes lors de l'utilisation de la machine ou en dehors de celle-ci, cessez toute utilisation de la machine, informez votre employeur et consultez un médecin. Le fait de continuer à utiliser la machine après l'apparition de tels symptômes risque de les aggraver et/ou de les rendre permanents.

Utilisez et entretenez la machine conformément aux instructions, afin d'éviter toute augmentation inutile des vibrations.

Les mesures suivantes peuvent contribuer à réduire l'exposition de l'opérateur aux vibrations :

- ▶ Laissez l'outil faire le travail. Utilisez une poignée manuelle réduite permettant un contrôle approprié et une utilisation en toute sécurité.
- ▶ Si la machine est équipée de poignées antivibratoires, maintenez-les en position centrale, en évitant d'enfoncer les poignées jusqu'à leur butées.
- ▶ Lorsque le mécanisme de percussion est activé, le seul contact entre votre corps et la machine doit être celui de vos mains sur la/les poignée(s). Évitez tout autre contact, notamment d'appuyer une partie quelconque du corps contre la machine ou de vous pencher sur cette dernière pour essayer d'en augmenter la capacité d'avance. Il est également important de ne pas maintenir le dispositif de marche/arrêt actionné lorsque vous retirez l'outil de la surface de travail cassée.
- ▶ Assurez-vous que l'outil inséré est correctement entretenu (et aiguisé s'il s'agit d'un outil coupant), en bon état et de la taille appropriée. Les outils insérés mal entretenus, usés ou de dimension inadaptée allongent la durée d'exécution d'une tâche (et celle de l'exposition aux vibrations) et peuvent induire ou contribuer à des niveaux plus élevés d'exposition aux vibrations.

- ▶ Arrêtez immédiatement de travailler si la machine commence soudainement à vibrer fortement. Avant de recommencer à travailler, identifiez la cause de l'augmentation des vibrations et remédiez-y.
- ▶ Évitez d'attraper, de tenir et de toucher l'outil inséré lorsque la machine est en marche.
- ▶ Participez à la surveillance médicale, aux examens médicaux et aux programmes de formation offerts par votre employeur ou imposés par la loi.
- ▶ Lorsque vous travaillez dans des conditions de froid, portez des vêtements chauds et gardez les mains au chaud et au sec.
- ▶ L'air d'évacuation est fortement refroidi et ne doit pas entrer en contact avec l'opérateur. Toujours diriger l'air d'évacuation loin des mains et du corps.

Voir « Énoncé déclaratif sur les vibrations et le bruit » pour la machine, y compris les valeurs des vibrations déclarées. Ces informations figurent à la fin des « Prescriptions de sécurité et instructions pour l'opérateur ».

- ◆ Respectez la pression d'air recommandée lorsque vous utilisez la machine. Une pression d'air plus élevée ou plus faible peut entraîner des niveaux de vibrations plus élevés.

▲ DANGER Dangers électriques

La machine n'est pas isolée électriquement. Tout contact de la machine avec de l'électricité risque de provoquer des blessures graves ou la mort.

- ▶ N'utilisez jamais la machine près d'un câble électrique ou d'une autre source d'électricité.
- ▶ Assurez-vous de l'absence de câbles cachés ou d'autres sources d'électricité dans la zone de travail.

▲ AVERTISSEMENT Dangers liés aux objets cachés

En cours de fonctionnement, les tuyaux et câbles cachés constituent une source potentielle de blessures graves.

- ▶ Vérifiez la composition du matériau avant toute utilisation.
- ▶ Faites attention aux câbles et aux tuyaux cachés, comme les tuyaux d'électricité, de téléphone, d'eau, de gaz et les canalisations d'égouts, etc.
- ▶ Si vous pensez avoir touché un objet caché avec l'outil, arrêtez immédiatement la machine.
- ▶ Vérifiez que tout danger est écarté avant de continuer.

▲ AVERTISSEMENT Démarrage accidentel

Le démarrage accidentel de la machine peut provoquer des blessures.

- ▶ Gardez les mains bien éloignées du dispositif de marche/arrêt jusqu'au moment de commencer à démarrer la machine.
- ▶ Apprenez à éteindre la machine en cas d'urgence.
- ▶ Relâchez immédiatement le dispositif de marche/arrêt en cas de coupure d'énergie quelconque.
- ▶ À chaque fixation ou retrait de l'outil d'insertion, coupez l'arrivée d'air, purgez la machine en appuyant sur le dispositif de marche/arrêt, puis débranchez la machine de la source d'alimentation.

▲ AVERTISSEMENT Danger lié au bruit

Des niveaux de bruit élevés peuvent provoquer une perte d'audition permanente et d'autres problèmes tels que l'acouphène (sonnerie, grondement, sifflement ou bourdonnement dans les oreilles). Afin de réduire les risques et d'éviter une augmentation inutile des niveaux de bruit :

- ▶ L'évaluation des risques de ces dangers et de mise en oeuvre de mesures de contrôle appropriées est essentielle.
- ▶ Exploiter et entretenir la machine comme cela est recommandé dans ces instructions.
- ▶ Sélectionner, entretenir et remplacer l'outil d'insertion comme cela est recommandé dans ces instructions.
- ▶ Si la machine dispose d'un silencieux, il faut vérifier qu'il est en place et en bon état de fonctionnement.
- ▶ Toujours utiliser des protections auditives.
- ▶ Utilisez un matériau amortissant afin d'éviter que les pièces « résonnent ».

Maintenance, précautions

▲ AVERTISSEMENT Modifications sur la machine

Toute modification sur la machine peut provoquer des blessures physiques à vous-même ou aux autres.

- ▶ Ne jamais modifier la machine. Toute machine modifiée n'est pas couverte par la garantie ou la responsabilité produits.
- ▶ Utilisez uniquement des pièces détachées, des outils d'insertion et des accessoires d'origine approuvés par Atlas Copco.
- ▶ Remplacez immédiatement les pièces endommagées.
- ▶ Remplacez les éléments ou pièces usés sans attendre.

▲ ATTENTION Outil d'insertion brûlant

L'extrémité de l'outil d'insertion devient chaude et affûtée à l'usage. Vous risquez de vous brûler et de vous couper si vous la touchez.

- ▶ Ne touchez jamais un outil d'insertion brûlant ou affûté.
- ▶ Attendez que l'outil d'insertion ait refroidi avant d'effectuer des tâches de maintenance.

▲ AVERTISSEMENT Risques liés à l'outil d'insertion

L'actionnement accidentel du dispositif de marche/arrêt en cours d'entretien ou d'installation peut causer des blessures graves, si la source d'alimentation est connectée.

- ▶ Ne jamais inspecter, nettoyer, installer ou déposer l'outil d'insertion avec la source d'alimentation connectée.

Stockage, précautions

- ◆ Conservez la machine et les outils bien verrouillés, dans un endroit sûr, hors de la portée des enfants.

Vue d'ensemble

Il convient de lire et d'assimiler les Prescriptions de sécurité et des instructions pour l'opérateur avant toute installation, utilisation, réparation, entretien ou remplacement d'accessoire sur la machine, afin de minimiser le risque de blessures graves ou de dommages pouvant entraîner la mort.

Conception et fonctionnement

Ces consignes s'appliquent à TEX 07PE.

TEX 07PE est une machine équipée d'une poignée en D antivibratoire, conçue pour les travaux légers de démolition et en usine. Cette machine peut être utilisée horizontalement et verticalement. Toute autre utilisation est interdite.

Pour choisir l'outil d'insertion correct, référez-vous à la liste des pièces détachées.

Choix du brise-béton pneumatique adapté à une tâche donnée

Il est important de choisir un brise-béton pneumatique dont la taille est adaptée au travail à effectuer.

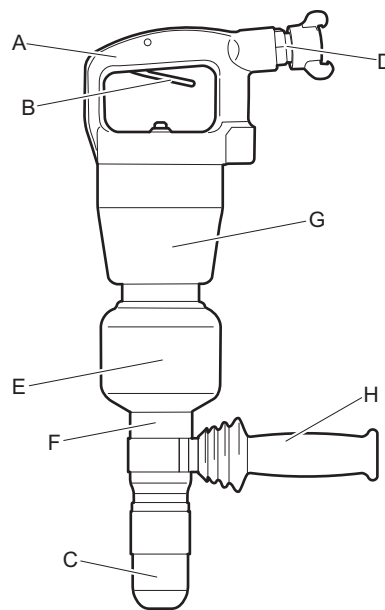
Un brise-béton pneumatique trop petit implique que le travail durera plus longtemps.

Un brise-béton trop grand implique un repositionnement fréquent, ce qui fatigue inutilement l'opérateur.

Une règle simple permettant de choisir correctement la taille d'un brise-béton établit qu'un morceau de matériel cassé de taille normale doit pouvoir être retiré du site de travail à l'issue de 5-10 secondes de fonctionnement.

- Si cela prend moins de 5 secondes, il faut alors choisir un brise-béton pneumatique plus petit.
- Si cela prend plus de 10 secondes, il faut alors choisir un brise-béton pneumatique plus grand.

Principales pièces

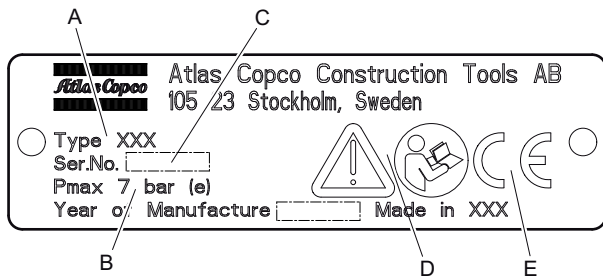


- A. Poignée
- B. Manette
- C. Dispositif de retenue de l'outil
- D. Entrée d'air
- E. Silencieux
- F. Cylindre
- G. Carter
- H. Poignée avant (en option)

Étiquettes

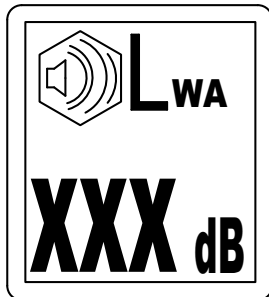
La machine comporte des étiquettes contenant des informations importantes pour la sécurité des personnes et l'entretien de la machine. Les étiquettes doivent être faciles à lire. De nouvelles étiquettes peuvent être commandées en utilisant la liste des pièces détachées.

Plaque signalétique



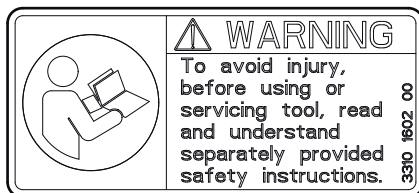
- A. Type de machine
- B. Pression d'air comprimé maximale autorisée
- C. Numéro de série
- D. Le symbole « Attention » accompagné du symbole du livre signifie que l'utilisateur doit lire les « Prescriptions de sécurité et instructions pour l'opérateur » avant la première utilisation de la machine.
- E. Le symbole CE indique la conformité de la machine avec les directives applicables. Pour plus d'informations, consultez la déclaration CE de conformité fournie avec la machine. L'absence du symbole CE indique que la machine n'est pas conforme aux directives applicables.

Étiquette niveau du bruit



Cette étiquette indique le niveau de bruit garanti conformément à la directive 2000/14/CE. Voir les « caractéristiques techniques » pour un niveau de bruit précis.

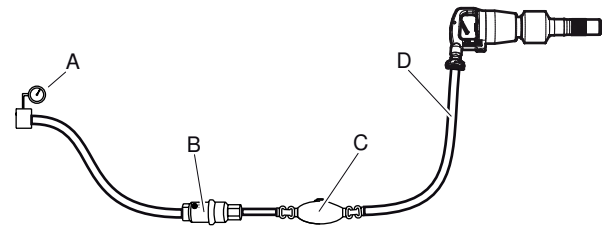
Étiquette de sécurité



Lire et comprendre les consignes de sécurité fournies séparément avant d'utiliser l'outil ou d'effectuer son entretien, afin d'éviter tout risque de blessures.

Installation

Flexibles et connexions



- A. Source d'air comprimé
 - B. Séparateur d'eau (en option)
 - C. Graisseur (en option)
 - D. 3 m (10 ft) maximum de flexible d'air comprimé entre le graisseur et la machine.
- ♦ Vérifiez que vous utilisez la bonne pression de fonctionnement recommandée, 6 bars (e) (87 psi).
 - ♦ Ne dépassez pas la pression d'air maximale autorisée pour la machine - 7 bar (e) (102 psi).
 - ♦ Éliminez toute impureté du flexible d'air comprimé avant de le brancher à la machine.
 - ♦ Sélectionnez un flexible d'air comprimé possédant une dimension et une longueur correctes. Pour les longueurs de flexible allant jusqu'à 30 m (100 ft), il faut utiliser un flexible de diamètre intérieur minimal de 19 mm (3/4 in.). Si la longueur de flexible est de 30 à 100 m (100 à 330 ft), il faut utiliser un flexible de diamètre intérieur minimal de 25 mm (1 in.).

Méthodes pour éviter le gel

De la glace peut se former dans le silencieux lorsque l'air ambiant a une température située entre 0 et 10°C (32-50°F) et un taux d'humidité relative élevé.

La machine est conçue pour éviter la formation de glace dans le silencieux. Malgré tout, dans des conditions extrême, de la glace peut se former dans le silencieux.

Adoptez les mesures suivantes pour mieux lutter contre le risque de formation de glace :

- ♦ Utilisez un lubrifiant de type Breaker and hammer AIR-OIL d'Atlas Copco. L'Breaker and hammer AIR-OIL empêche le gel.
- ♦ Utilisez un séparateur d'eau.

Branchement d'un séparateur d'eau

La longueur de l'arrivée d'air entre le compresseur et le séparateur d'eau doit permettre le refroidissement et la condensation de la vapeur d'eau dans le tuyau avant d'atteindre le séparateur d'eau. Si la température ambiante est inférieure à 0 °C (32 °F), le tuyau doit être suffisamment court pour éviter à l'eau de geler avant d'atteindre le séparateur d'eau.

Lubrification

Le lubrifiant joue un rôle important dans le fonctionnement de la machine et a une grande incidence sur sa durée de vie. S'il n'y a pas de graisseur intégré, raccordez un graisseur individuel au flexible d'air. Pour garantir une bonne lubrification, la longueur du flexible d'air entre le graisseur individuel et la machine pneumatique ne doit pas dépasser 3 mètres.

Utilisez un lubrifiant synthétique tel que le lubrifiant AIR-OIL d'Atlas Copco pour brise-béton et marteau perforateur ou une huile minérale ayant les propriétés recommandées illustrées au tableau ci-dessous.

Lubrifiant	Plage de température (°C)	Viscosité
Lubrifiant olio-pneumatique pour brise-béton et marteau perforateur	-30 à +50	-
Huile minérale/Huile synthétique	+15 à +50	ISO VG 46-68
Huile minérale/Huile synthétique	-20 à +15	ISO VG 22-32

Outil d'insertion

⚠ ATTENTION Outil d'insertion brûlant

L'extrémité de l'outil d'insertion devient chaude et affûtée à l'usage. Vous risquez de vous brûler et de vous couper si vous la touchez.

- ▶ Ne touchez jamais un outil d'insertion brûlant ou affûté.
- ▶ Attendez que l'outil d'insertion ait refroidi avant d'effectuer des tâches de maintenance.

AVIS Ne jamais refroidir un outil d'insertion chaud dans l'eau. Ceci peut fragiliser l'outil et entraîner sa rupture prématurée.

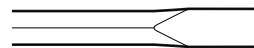
Sélection du bon outil d'insertion

La sélection du bon outil d'insertion est un prérequis au fonctionnement approprié de la machine. Pour éviter les dommages inutiles à la machine, il est important de choisir des outils d'insertion de grande qualité.

L'utilisation d'outils d'insertion inadaptés peut provoquer la destruction de la machine.

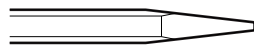
Les outils d'insertion recommandés figurent dans la liste des pièces détachées de la machine.

Burin étroit



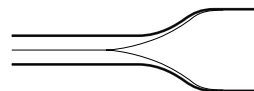
Le burin étroit doit être utilisé pour le travail de démolition et la découpe de béton et d'autres types de matériaux durs.

Burin à pointe aiguisée



Le burin à pointe aiguisée doit être utilisé uniquement pour faire des trous dans du béton et d'autres types de matériaux durs.

Burin à lame large

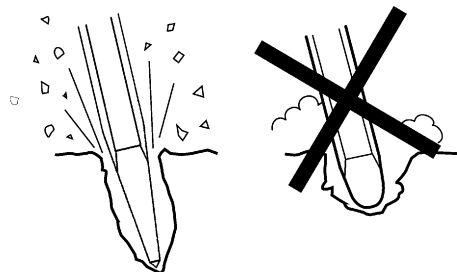


Le burin large doit être utilisé avec les matériaux tendres, tels que l'asphalte et les sols gelés.

⚠ AVERTISSEMENT Danger lié aux vibrations

L'utilisation d'outils insérés non conformes aux critères mentionnés ci-dessous entraînera des délais d'accomplissement des tâches plus longs, et parfois aussi des niveaux de vibrations plus élevés. Un outil utilisé engendre également un temps de travail accru.

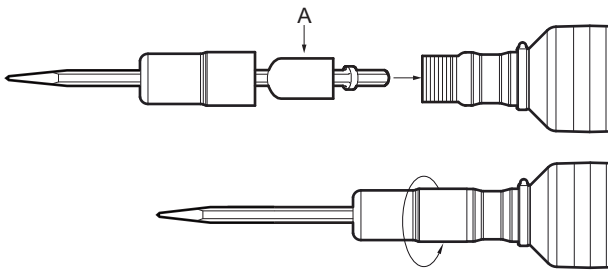
- ▶ Assurez-vous que l'outil inséré est correctement entretenu, pas usé et de la taille appropriée.
- ▶ Utilisez toujours un outil tranchant pour pouvoir travailler de manière efficace.



Fixation et retrait de l'outil d'insertion

Les instructions suivantes doivent être observées lors de chaque fixation ou du retrait de l'outil d'insertion :

- ◆ Pour éviter tout démarrage intempestif : fermez l'arrivée d'air et déconnectez l'alimentation de la machine. Purgez la machine en appuyant sur le dispositif de marche/arrêt.
- ◆ Avant d'insérer un outil, lubrifiez l'emmanchement avec de la graisse.
- ◆ Fermez la sécurité de l'outil et vérifiez la fonction de verrouillage en tirant brusquement l'outil inséré vers l'extérieur.



1. Placez le chapeau sur le corps hexagonal de l'outil d'insertion.
2. Placez le tampon (A) sur la tige de l'outil d'insertion.
3. Introduisez l'outil d'insertion dans le cylindre et vissez le chapeau sur le cylindre jusqu'à ce qu'il soit fixé.

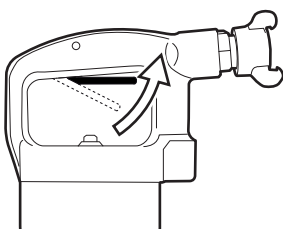
Commande

▲ AVERTISSEMENT Démarrage accidentel

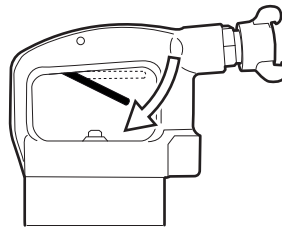
Le démarrage accidentel de la machine peut provoquer des blessures.

- ▶ Gardez les mains bien éloignées du dispositif de marche/arrêt jusqu'au moment de démarrer la machine.
- ▶ Apprenez à éteindre la machine en cas d'urgence.
- ▶ Arrêtez immédiatement la machine en cas de coupure d'énergie quelconque.

Marche/arrêt



Démarrez la machine en appuyant sur la manette tout en tenant fermement la poignée.

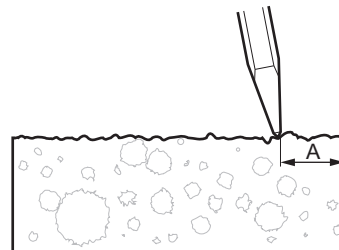


Arrêtez la machine en relâchant la manette. La manette retourne automatiquement en position d'arrêt.

Utilisation

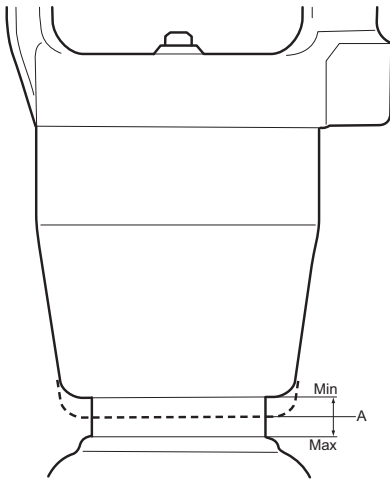
Démarrage d'une coupe

- ◆ Adoptez une position stable et gardez vos pieds éloignés de l'outil d'insertion.
- ◆ Appuyez la machine contre la surface à travailler avant de commencer.
- ◆ Attaquez le matériau à une distance telle du bord que la machine est à même de le fissurer sans le fracturer.
- ◆ N'essayez jamais de fracturer des éléments trop gros. Adaptez la distance de casse (A) de manière à ce que l'outil inséré ne reste pas bloqué.



Casse

- ◆ Laissez la machine faire le travail, n'appuyez pas trop fort. La poignée antivibratoire ne doit absolument pas être enfoncée au maximum.
- ◆ Machines pneumatiques équipées de poignées antivibratoires : La force d'avance doit être adaptée de manière à ce que la poignée soit enfoncée à « mi-course ». Le meilleur effet antivibratoire et de casse est obtenu dans cette position.



- ◆ Évitez de travailler sur des matériaux extrêmement durs tels que le granit et le ferrailage (barre d'armature), car cela causerait des vibrations substantielles.
- ◆ Toute forme d'utilisation au ralenti, sans outil d'insertion ou lorsque la machine est en position haute, doit être évitée.
- ◆ Évitez d'activer le dispositif de marche/arrêt lorsque la machine est en position haute.
- ◆ Vérifiez régulièrement que la machine est correctement lubrifiée.

Lors des pauses

- ◆ Pendant toutes vos pauses, vous devez éloigner la machine de manière à éliminer tout risque de démarrage accidentel. Assurez-vous de placer la machine sur le sol, de manière qu'elle ne tombe pas.
- ◆ En cas de pause prolongée ou lorsque vous quittez votre lieu de travail : Coupez l'alimentation électrique, puis purgez la machine en activant le dispositif de marche/arrêt.

Maintenance

Une maintenance régulière est une condition fondamentale pour que la machine reste un outil sûr et efficace. Respectez soigneusement les instructions d'entretien.

- ◆ Avant de commencer l'entretien de la machine, nettoyez-la afin d'éviter toute exposition aux substances dangereuses. Voir « Dangers liés aux poussières et aux fumées ».
- ◆ N'utilisez que des pièces de rechange autorisées. Aucun dommage ou mauvais fonctionnement dû à l'utilisation de pièces non autorisées n'est couvert par la garantie ou la responsabilité produits.
- ◆ Lors du nettoyage des pièces mécaniques avec un solvant, assurez-vous que vous respectez bien les normes de sécurité et de santé et que la ventilation est suffisante.
- ◆ Pour un entretien plus complet de la machine, contactez l'atelier homologué le plus proche.
- ◆ Après chaque service, vérifiez que le niveau de vibrations de la machine est normal. Sinon, contactez votre atelier agréé le plus proche.

Chaque jour

Avant d'entreprendre toute maintenance ou changement de l'outil d'insertion d'une machine pneumatique, coupez toujours l'air et purgez la machine en appuyant sur le dispositif de marche/arrêt. Débranchez ensuite le flexible d'air de la machine.

- ◆ Nettoyez et inspectez la machine et ses fonctionnalités chaque jour, avant son utilisation.
- ◆ Examinez l'usure du dispositif de retenue de l'outil et vérifiez son fonctionnement.
- ◆ Effectuez une inspection générale des fuites et dommages.
- ◆ Vérifiez que l'embout de prise d'air est bien serré et que le raccord décaleur n'est pas endommagé.
- ◆ Pour que la machine respecte les valeurs des vibrations spécifiées, il faut toujours examiner les points suivants :
Un jeu trop grand entre la tige de l'outil d'insertion et la bague du burin produira des vibrations plus importantes. Pour éviter d'être exposé à des vibrations excessives, examinez chaque jour l'usure de la bague du burin.

- ◆ Si la machine est équipée de poignée(s) antivibratoire(s), vérifiez qu'elle(s) se déplace(nt) librement de haut en bas et ne se bloque(nt) pas.
- ◆ Remplacez immédiatement les pièces endommagées.
- ◆ Remplacez les éléments ou pièces usés sans attendre.
- ◆ Assurez-vous que tous les équipements auxiliaires ou connexes, comme les flexibles, les séparateur d'eau et les graisseurs, sont correctement entretenus.

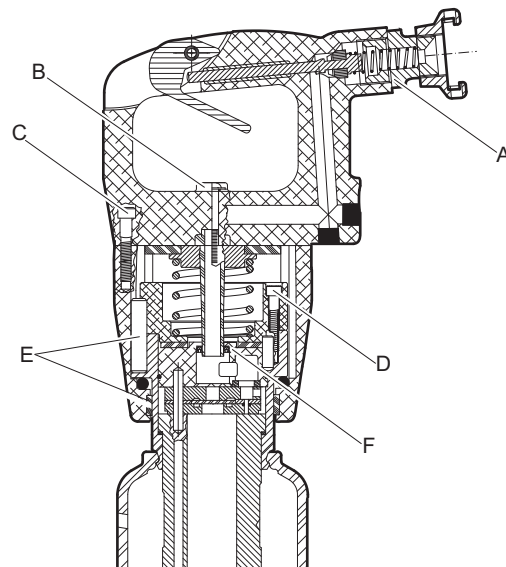
Maintenance périodique

Après chaque période d'utilisation d'environ 100 heures d'impact ou trois fois par an, la machine doit être démontée et toutes les pièces doivent être nettoyées et examinées. Ce travail doit être effectué par du personnel autorisé et formé à cette tâche.

A titre d'indication, pour maintenir un rendement élevé, les pièces figurant au tableau ne doivent pas être usées à tel point qu'elles s'écartent des dimensions indiquées. Notez que TEX 07PE n'est pas équipé d'amortissement à coussin d'air du piston. Ceci signifie que la capacité d'amortissement ne peut pas être utilisée pour déterminer le degré d'usure du piston et du cylindre.

Pièce	Diamètre intérieur max. (mm)	Diamètre extérieur min. (mm)
Cylindre	28,63	-
Piston	-	28,50

Montageanweisungen



- A. Anzugsdrehmoment: 88–95 Nm, verwenden Sie Loctite® 243™ (Loctite ist ein eingetragenes Warenzeichen der Henkel Corporation. 243 ist ein eingetragenes Warenzeichen der Henkel Corporation.)
- B. Anzugsdrehmoment: 15–17 Nm, UNF 1/4" x 44 (1-3/4")
- C. Anzugsdrehmoment: 15–17 Nm, UNC 1/4" x 32 (1-1/4")
- D. Anzugsdrehmoment: 17 Nm, verwenden Sie Loctite® 243™, M6 x 40 - 12.9
- E. Schmieren Sie nicht die Stützrollen, den Verschleißring oder entsprechende Kontaktflächen.
- F. Entfernen Sie vor der Montage den O-Ring von der Dichtung. Der O-Ring sorgt nur dafür, dass die Dichtung bis zur Montage ihre Form beibehält.

Recherche de pannes

Si la machine pneumatique ne démarre pas ou si elle a une puissance faible ou une performance irrégulière, vérifiez les points suivants.

- ◆ Vérifiez que l'outil d'insertion utilisé possède la bonne taille de tige.
- ◆ Vérifiez que la machine pneumatique reçoit la quantité correcte de lubrifiant. Une lubrification excessive peut causer des problèmes de démarrage, une puissance faible ou une performance irrégulière.
- ◆ Vérifiez que le système d'air comprimé fournit à la machine une pression d'air suffisante pour assurer la puissance maximale.
- ◆ Vérifiez que les dimensions et la longueur du flexible d'air sont conformes aux recommandations. Voir « Installation ».
- ◆ En cas de risque de gel, vérifiez que les ports d'échappement de la machine ne sont pas bloqués.
- ◆ Si le fonctionnement de la machine n'est toujours pas satisfaisant après cette procédure, contactez un atelier homologué.

Stockage

- Avant de l'entreposer, nettoyez minutieusement la machine afin d'éviter toute exposition aux substances dangereuses. Voir « Dangers liés aux poussières et aux fumées ».
- Versez environ ½ oz (5 cl) d'huile directement dans l'embout de prise d'air, reliez la machine à l'alimentation d'air comprimé et laissez-la fonctionner pendant quelques secondes.
- Stockez toujours la machine dans un endroit sec.

Destruction d'une machine usagée

Toute machine usagée doit être traitée et détruite de telle manière que la plus grande partie des matériaux puisse être recyclée et que tout impact négatif sur l'environnement soit aussi faible que possible, et conformément aux réglementations locales.

Caractéristiques techniques

Caractéristiques de la machine

Type	Dimension de l'emmanchement d'outil mm	Poids kg	Longueur mm	Fréquence de frappe Hz	Consommation d'air l/s
TEX 07PE	H19 x 50	8,7	525	29,5	17
TEX 07PE, avec poignée avant latérale	H19 x 50	9,0	525	29,5	17

Énoncé déclaratif sur les vibrations et le bruit

Niveau de puissance acoustique garanti **L_w** selon la norme EN ISO 3744 conformément à la directive 2000/14/CE.

Niveau de pression acoustique **L_p** selon la norme EN ISO 11203.

Niveau des vibrations **A** et incertitude **B** selon la norme EN ISO 20643. Veuillez consulter le tableau « Données relatives au bruit et aux vibrations » pour les valeurs A, B, etc.

Ces valeurs déclarées ont été obtenues à l'issue de tests de type effectués en laboratoire conformément à la directive ou aux normes énoncées et peuvent être comparées aux valeurs déclarées pour d'autres outils testés conformément aux mêmes directives ou normes. Ces valeurs déclarées ne sont pas appropriées pour l'utilisation dans les évaluations de risques et les valeurs mesurées dans différents lieux de travail peuvent être plus élevées. Les valeurs d'exposition et le risque de blessure pour un utilisateur particulier sont uniques et dépendent de la façon dont il travaille, du matériel sur lequel la machine est utilisée, ainsi que de la durée d'exposition, de l'état physique de l'utilisateur et de l'état de la machine.

Atlas Copco Construction Tools AB, ne peut être tenu pour responsable des conséquences d'une utilisation des valeurs déclarées à la place des valeurs correspondant à l'exposition réelle, dans le cadre d'une évaluation des risques sur un lieu de travail dont nous ne maîtrisons aucun élément.

L'utilisation de cet outil peut entraîner l'apparition du syndrome de vibration du système main-bras si elle n'est pas effectuée de manière adéquate. Vous trouverez guide publié par l'UE sur les vibrations transmises à la main et au bras à l'adresse <http://www.humanvibration.com/humanvibration/EU/VIBGUIDE.html>

Nous recommandons un programme de contrôle médical pour détecter par avance les symptômes éventuellement liés à l'exposition aux vibrations, afin de permettre la modification des procédures de gestion et la prévention des infirmités futures.

Informations supplémentaires relatives aux vibrations

Cette information est fournie pour aider à faire des estimations approximatives de la valeur des vibrations sur les lieux de travail.

Les vibrations émises varient considérablement selon la tâche et la technique de l'opérateur. La valeur de vibration déclarée correspond à la/les poignée(s) principale(s) et des niveaux de vibration beaucoup plus élevés peuvent se produire avec d'autres positions. Nous sommes persuadés que l'utilisation normale prévue de l'outil produira habituellement des vibrations émises dans la fourchette C_{m/s^2} et E_{m/s^2} (les valeurs de vibration totales, telles qu'elles sont définies dans la norme EN ISO 5349-1) en fonction de la tâche à accomplir, des niveaux d'émissions en dehors de ces plages pouvant néanmoins survenir pour certaines applications.

Un niveau de D_{m/s^2} et F_{m/s^2} est probablement une valeur d'émission moyenne utile, par exemple, lors de l'estimation des expositions moyennes probables des utilisateurs exécutant une large gamme de tâches couvertes par l'utilisation prévue de l'outil. Nous précisons que l'application de l'outil pour une tâche unique spécialisée peut produire une émission moyenne différente et nous recommandons vivement d'effectuer dans ce cas une évaluation spécifique des vibrations émises.

Données relatives au bruit et aux vibrations

Type	Bruit		Vibration					
	Pression acoustique	Puissance acoustique	Valeurs triaxiales					
	Valeurs déclarées		Valeurs déclarées		Informations supplémentaires relatives aux vibrations			
	EN ISO 11203	2000/14/CE	EN ISO 20643		Béton		Brique	
	Lp r=1m dB(A) rel 20µPa	Lw garanti dB(A) rel 1pW	A m/s ² valeur	B m/s ² étalé	C m/s ² plage	D m/s ² moy.	E m/s ² plage	F m/s ² moy.
TEX 07PE Avec poignée en D uniquement	87	104	12,4	1,7	9,0-11,9	10,5	7,9-10,0	9,0
TEX 07PE Avec poignée en D et poignée avant latérale	87	104	10,5	1,5	7,5-11,2	9,6	9,6-12,2	10,6

Déclaration CE de conformité

Déclaration CE de conformité (Directive 2006/42/CE)

Nous, Atlas Copco Construction Tools AB, déclarons par la présente que les machines énumérées ci-dessous sont conformes aux dispositions de la directive européenne 2006/42/CE (directive « Machines ») et 2000/14/CE (directive « Bruit »), et des normes harmonisées mentionnées ci-dessous.

Marteaux-piqueurs pneumatiques portatifs	Niveau de puissance acoustique garanti [dB(A)]	Niveau de puissance acoustique mesuré [dB(A)]	Pmax (bar)
TEX 07PE	104	98	7

Les normes harmonisées suivantes ont été appliquées :

- ◆ EN ISO 11148-4

Les autres normes suivantes ont été appliquées:

- ◆ Lloyds Register Quality Assurance, NoBo no.0088

Représentant agréé de la documentation technique :

Per Forsberg
Atlas Copco Construction Tools AB
Dragonvägen 2
Kalmar

Vice-président Conception et Développement :

Erik Sigfridsson

Fabricant :

Atlas Copco Construction Tools AB
105 23 Stockholm
Sweden

Lieu et date :

Kalmar, 2012-06-30

DEUTSCH

Inhalt

Einleitung.....	47
Informationen zu den Sicherheitshinweisen und der Betriebsanleitung.....	47
Sicherheitsvorschriften.....	48
Sicherheits-Signalworte.....	48
Persönliche Vorsichtsmaßnahmen und Qualifikationen.....	48
Schutzausrüstung.....	48
Drogen, Alkohol oder Medikamente.....	48
Installation, Vorsichtsmaßnahmen.....	48
Betrieb, Vorsichtsmaßnahmen.....	49
Wartung, Vorsichtsmaßnahmen.....	54
Lagerung, Vorsichtsmaßnahmen.....	54
Übersicht.....	55
Konstruktion und Funktion.....	55
Auswahl des für die Arbeitsaufgabe passenden Druckluft-Aufbrechhammers.....	55
Hauptkomponenten.....	55
Etiketten.....	55
Typenschild.....	56
Geräuschpegeletikett.....	56
Sicherheitsschild.....	56
Installation.....	56
Schläuche und Anschlüsse.....	56
Methoden zur Vermeidung von Einfrieren.....	56
Anschließen eines Wasserabscheiders.....	57
Schmierung.....	57
Werkzeug.....	57
Auswählen des richtigen Werkzeugs.....	57
Flachmeißel.....	57
Spitzmeißel.....	57
Breitmeißel.....	57
Einsetzen und Entfernen des Werkzeugs.....	57
Betrieb.....	58
Start und Stopp.....	58
Betrieb.....	58
Beginnen eines Abbruchs.....	58
Aufbrechen.....	59
Einlegen von Pausen.....	59
Wartung.....	59
Täglich.....	59
Regelmäßige Wartung.....	60
Instrucciones de montaje.....	60
Fehlersuche.....	60
Lagerung.....	61
Entsorgung.....	61
Technische Daten.....	62
Maschinendaten.....	62
Angaben zu Geräuschemission und Vibration.....	62
Zusätzliche Informationen über Vibration.....	62

Daten zu Geräuschemission und Vibration.....	63
EG-Konformitätserklärung.....	64
EG-Konformitätserklärung (EG-Richtlinie 2006/42/EG).....	64

Einleitung

Wir danken Ihnen für die Wahl eines Produkts von Atlas Copco! Seit 1873 sind wir bestrebt, die Wünsche und den Bedarf unserer Kunden optimal zu decken. Unsere innovativen und ergonomischen Produktlösungen dienen der Kostensenkung und somit der besseren Rentabilität der Unternehmenstätigkeit des Kunden.

Atlas Copco verfügt mit seinen Kundenzentren und Vertragshändlern weltweit über ein umfangreiches Vertriebs- und Servicenetz. Unsere Fachleute sind Spezialisten mit umfassenden Produktkenntnissen und Anwendungserfahrungen. Wir bieten unseren Kunden Service und Know-how in allen Teilen der Welt, um optimale Betriebseffizienz zu gewährleisten.

Besuchen Sie gern unsere Website für weitere Informationen:

www.atlascopco.com

Atlas Copco Construction Tools AB

105 23 Stockholm

Sweden

Informationen zu den Sicherheitshinweisen und der Betriebsanleitung

Ziel dieser Anleitung ist es, Sie mit der sicheren und effizienten Bedienung des Druckluft-Aufbrechhammers vertraut zu machen. Die Anleitung enthält auch Hinweise zur Durchführung regelmäßiger Wartungsarbeiten am Druckluft-Aufbrechhammer.

Lesen Sie bitte diese Anleitung vor der ersten Benutzung des Druckluft-Aufbrechhammers genau durch.

Sicherheitsvorschriften

Lesen Sie bitte vor Installation, Betrieb, Reparatur und Wartung der Maschine bzw. vor dem Wechsel von Zubehör die Sicherheitshinweise und die Betriebsanleitung sorgfältig durch, um Unfallrisiken, die mit ernsthaften Verletzungen oder Lebensgefahr verbunden sein können, zu vermeiden.

Schlagen Sie diese Sicherheitshinweise und Betriebsanleitung am Arbeitsplatz an. Verteilen Sie Kopien an die Mitarbeiter. Stellen Sie sicher, dass jeder Mitarbeiter vor dem Betrieb der Maschine oder vor Wartungsarbeiten diese Sicherheitshinweise und Betriebsanleitung liest.

Darüber hinaus sollten der Bediener oder der Arbeitgeber des Bedieners die spezifischen Risiken bewerten, die bei jeder Anwendung dieser Maschine bestehen.

Sicherheits-Signalworte

Die Sicherheits-Signalworte Gefahr, Warnung und Achtung haben folgende Bedeutung:

GEFAHR	Hinweis auf eine Gefahrensituation, die bei Nichtbeachtung zu schweren oder lebensgefährlichen Unfällen führt.
WARNUNG	Hinweis auf eine Gefahrensituation, die bei Nichtbeachtung zu schweren oder lebensgefährlichen Unfällen führen kann.
VORSICHT	Hinweis auf eine Gefahrensituation, die bei Nichtbeachtung zu geringen oder leichten Verletzungen führen kann.

Persönliche Vorsichtsmaßnahmen und Qualifikationen

Die Maschine darf nur von qualifiziertem und geschultem Personal bedient oder gewartet werden. Dieses muss physisch in der Lage sein, mit Größe, Gewicht und Leistung der Maschine umzugehen. Verlassen Sie sich immer auf Ihren gesunden Menschenverstand.

Schutzausrüstung

Verwenden Sie stets geeignete Schutzausrüstung! Von Mitarbeitern und anderen Personen im Arbeitsbereich ist mindestens folgende Schutzausrüstung zu tragen:

- Schutzhelm
- Gehörschutz
- Schutzbrille (mit seitlicher Abschirmung der Augen)
- Atemmaske (bei Bedarf)
- Schutzhandschuhe
- Geeignete Sicherheitsschuhe
- Geeigneter Arbeitsanzug oder ähnliche (eng anliegende) Kleidung, die Arme und Beine bedeckt.

Drogen, Alkohol oder Medikamente

▲ **WARNUNG** Drogen, Alkohol oder Medikamente

Drogen, Alkohol oder Medikamente können Ihre Urteilskraft und Konzentrationsfähigkeit einschränken. Schlechte Reaktionsfähigkeit und Fehleinschätzungen können zu schweren Verletzungen führen.

- ▶ Bedienen Sie die Maschine niemals, wenn Sie müde sind oder unter dem Einfluss von Drogen, Alkohol oder Medikamenten stehen.
- ▶ Personen, die unter dem Einfluss von Drogen, Alkohol oder Medikamenten stehen, dürfen die Maschine nicht bedienen.

Installation, Vorsichtsmaßnahmen

▲ **GEFAHR** Ausschlagender Druckluftschlauch

Ein Druckluftschlauch, der sich gelöst hat, kann ausschlagen und lebensgefährliche Verletzungen verursachen. Zur Verhütung dieses Unfallrisikos ist Folgendes zu beachten:

- ▶ Stellen Sie sicher, dass Druckluftschlauch und Anschlüsse unbeschädigt sind, und ersetzen Sie diese gegebenenfalls.
- ▶ Stellen Sie sicher, dass sämtliche Druckluftanschlüsse korrekt befestigt sind.
- ▶ Tragen Sie eine Druckluftmaschine niemals am Druckluftschlauch.

- ▶ Ein unter Druck stehender Druckluftschlauch darf unter keinen Umständen abgebaut oder demontiert werden. Schalten Sie zuerst die Druckluft am Kompressor aus und lassen Sie die Maschine durch Betätigen des Start- und Stoppschalters auslaufen.
- ▶ Verwenden Sie an der Werkzeugaufnahme keine Schnellkupplungen. Verwenden Sie Schlaucharmaturen mit Gewinde und aus gehärtetem Stahl (oder aus Material mit vergleichbarer Stoßfestigkeit).
- ▶ Bei Verwendung von Universaldrehkupplungen (Klauenkupplungen) empfehlen wir die Installation von Sicherungsstiften und Sicherungskabeln (die das Umerschlagen von Druckschläuchen verhindern), um den erforderlichen Schutz zu gewährleisten, falls eine Verbindung von Werkzeug zu Schlauch oder von Schlauch zu Schlauch versagt.

▲ GEFAHR Druckluft

Druckluft, die auf die Haut trifft, kann diese durchdringen und schwere oder tödliche Verletzungen verursachen.

- ▶ Schalten Sie stets die Druckluftversorgung aus, machen Sie den Druckluftschlauch drucklos, und trennen Sie die Maschine bei Nichtbenutzung, beim Wechsel von Zubehör oder beim Durchführen von Reparaturen von der Druckluftversorgung.
- ▶ Richten Sie einen Druckluftschlauch nie auf eine andere Person oder den eigenen Körper! Um Verletzungen zu vermeiden, darf Druckluft niemals zum Sauberblasen von Kleidung oder auf ähnliche Weise zweckentfremdet werden.

▲ WARNUNG Lösen des Werkzeugs

Wenn die Werkzeugaufnahme nicht arretiert ist, kann das Werkzeug mit Gewalt ausgeworfen werden. Dies kann zu ernsthaften Verletzungen führen.

- ▶ Starten Sie die Maschine niemals während des Werkzeugwechsels.
- ▶ Schalten Sie vor dem Wechseln von Werkzeug oder Zubehör immer die Energieversorgung aus, und lassen Sie die Maschine durch Betätigen des Start- und Stoppschalters auslaufen.
- ▶ Richten Sie das Werkzeug nie auf eine andere Person oder den eigenen Körper!
- ▶ Stellen Sie sicher, dass das Werkzeug vollständig eingesetzt ist und die Werkzeugaufnahme arretiert ist, bevor Sie die Maschine einschalten.
- ▶ Prüfen Sie die Arretierung, indem Sie kräftig und ruckartig am Werkzeug ziehen.

▲ WARNUNG Bewegen / Herausrutschen des Werkzeugs

Eine falsche Werkzeugschaftgröße kann dazu führen, dass das eingesetzte Werkzeug während des Betriebs herausrutscht. Hierbei besteht die Gefahr von schweren Verletzungen, z. B. Brüche von Händen und Fingern.

- ▶ Stellen Sie sicher, dass das Werkzeug die für die Maschine passende Größe und Schaftlänge besitzt.
- ▶ Verwenden Sie niemals Werkzeuge ohne Bund.

Betrieb, Vorsichtsmaßnahmen

▲ GEFAHR Explosionsgefahr

Wenn ein Werkzeug mit Explosivstoffen oder explosiven Gasen in Kontakt kommt, kann es zu einer Explosion kommen. Bei der Arbeit mit bzw. der Verwendung von bestimmten Materialien können Funken auftreten und Explosionen verursachen. Explosionen können zu ernsthaften Verletzungen oder zum Tod führen.

- ▶ Die Maschine nie in einer explosiven Umgebung betreiben.
- ▶ Verwenden Sie die Maschine niemals in der Nähe von entzündlichen Materialien, Dämpfen oder Staub.
- ▶ Stellen Sie sicher, dass keine verborgenen Gasquellen oder Explosivstoffe vorhanden sind.

▲ WARNUNG Unerwartete Bewegungen

Das Werkzeug wird während des Betriebs der Maschine stark beansprucht. Das Werkzeug kann nach Ablauf der Lebensdauer aufgrund von Werkstoffermüdung brechen. Wenn das Werkzeug bricht oder verklemmt, kann die Maschine plötzliche und unerwartete Bewegungen ausführen, die Verletzungen verursachen können. Außerdem kann es zu Verletzungen kommen, wenn Sie das Gleichgewicht verlieren oder ausrutschen.

- ▶ Stellen Sie sicher, dass Sie immer eine stabile Standposition einnehmen. Verteilen Sie dazu Ihr Körpergewicht auf beide Füße, die schulterbreit auseinander stehen.
- ▶ Prüfen Sie die Ausrüstung vor jeder Anwendung. Bei Schadensverdacht darf die Ausrüstung auf keinen Fall verwendet werden.
- ▶ Stellen Sie sicher, dass die Griffe sauber und frei von Fett oder Öl sind.
- ▶ Halten Sie Ihre Füße vom Werkzeug fern.
- ▶ Stehen Sie sicher und halten Sie die Maschine mit beiden Händen fest.

- ▶ Starten Sie niemals die Maschine, wenn sie auf dem Boden liegt.
- ▶ 'Reiten' Sie niemals mit einem Bein über dem Griff auf der Maschine.
- ▶ Gehen Sie mit der Ausrüstung sorgsam um.
- ▶ Prüfen Sie das Werkzeug regelmäßig auf Abnutzung, Beschädigungen oder sichtbare Risse.
- ▶ Achten Sie während des Betriebs auf ungewöhnliche Vorgänge.

▲ **WARNUNG Gefahren durch Abgase und Staub**

Staub und/oder Abgase, die beim Betrieb der Maschine erzeugt oder freigesetzt werden, können zu ernsthaften und chronischen Atemwegserkrankungen oder zu körperlichen Beeinträchtigungen führen (z. B. zu Silikose, ernsthaften chronischen Lungenerkrankungen, Krebs, Erbkrankheiten und/oder Hautentzündungen). Einige Staubsorten und Abgase, die beim Bohren, Aufbrechen, Hämmern, Sägen, Schleifen oder anderen Bautätigkeiten freigesetzt werden, enthalten chemische Elemente, die Atemwegserkrankungen, Krebs oder Erbkrankheiten auslösen. Dazu gehören z. B.:

- Steinstaub, Zement und andere Baustoffe.
- Arsen und Chrom aus chemisch behandeltem Gummi.
- Blei aus bleihaltigen Farben.

In der Luft vorhandene Abgase und Staub können für das bloße Auge unsichtbar sein. Verlassen Sie sich daher nicht auf eine lediglich optische Kontrolle, ob Abgase und Staub in der Luft vorhanden sind.

Um die Gefahren durch Abgase und Staub zu vermindern, befolgen Sie folgende Anweisungen:

- ▶ Führen Sie eine auf den jeweiligen Arbeitsplatz bezogene Risikoanalyse durch. Die Risikoanalyse sollte die von der Maschine freigesetzten Abgase und Staub sowie ein mögliches Aufwirbeln von vorhandenem Staub berücksichtigen.
- ▶ Verwenden Sie geeignete technische Hilfsmittel zur Minimierung von Abgasen und Staub in der Luft sowie auf der Oberfläche von Ausrüstung, Kleidung und Körperteilen. Zu solchen Hilfsmitteln gehören z. B.: Absaugungen und Staubsammelsysteme, Sprühwasseranlagen und Nassbohren. Begrenzen Sie Staub und Abgase möglichst an deren Entstehungsquelle. Stellen Sie sicher, dass diese Hilfsmittel korrekt installiert, gewartet und angewendet werden.
- ▶ Tragen Sie stets geeignete sowie korrekt angewendete und gewartete Atemmasken, entsprechend den Anweisungen des Arbeitgebers sowie entsprechend den betrieblichen Gesundheits- und Sicherheitsbestimmungen. Die Atemmaske muss für die jeweilige Substanz geeignet (und möglichst von der zuständigen staatlichen Behörde genehmigt) sein.
- ▶ Arbeiten Sie in einem gut belüfteten Bereich.
- ▶ Verfügt die Maschine über ein Abgasrohr, richten Sie dieses so aus, dass die Staubaufwirbelungen in staubigen Umgebungen möglichst gering sind.

- ▶ Betrieb und Wartung der Maschine sind entsprechend den Sicherheitshinweisen und der Betriebsanleitung durchzuführen.
- ▶ Auswahl, Wartung und Austausch von Verbrauchsmaterialien/ Werkzeugen/ anderem Zubehör sind entsprechend den Sicherheitshinweisen und der Betriebsanleitung durchzuführen. Die falsche Wahl oder ungenügende Wartung von Verbrauchsmaterialien/ Werkzeugen/ anderem Zubehör kann die Freisetzung von Staub und Abgasen erhöhen.
- ▶ Tragen Sie am Arbeitsplatz abwaschbare oder Einwegschutzkleidung; Duschen Sie oder wechseln Sie die Kleidung vor dem Verlassen des Arbeitsplatzes, um Ihre eigene Belastung durch Staub und Abgase und die anderer Personen bzw. von Autos, Heimstätten und anderer Bereiche so gering wie möglich zu halten.
- ▶ Vermeiden Sie das Essen, Trinken oder Rauchen in Bereichen, in denen eine Belastung durch Staub und Abgase vorhanden ist.
- ▶ Waschen Sie umgehend nach dem Verlassen des Belastungsbereichs sowie stets vor dem Essen, Trinken, Rauchen oder dem Kontakt mit anderen Personen Ihre Hände und Ihr Gesicht.
- ▶ Beachten Sie alle relevanten Gesetze und Vorschriften sowie die betrieblichen Gesundheits- und Sicherheitsbestimmungen.
- ▶ Nehmen Sie entsprechend den betrieblichen Gesundheits- und Sicherheitsbestimmung an Schulungen zur Luftreinhaltung, medizinischen Prüfungen und Gesundheits- und Sicherheitsprogrammen teil, wenn diese von Ihrem Arbeitgeber oder von den Berufsverbänden angeboten werden. Konsultieren Sie Ärzte, die auf Arbeitsmedizin spezialisiert sind.
- ▶ Arbeiten Sie mit Ihrem Arbeitgeber und Berufsverband zusammen, um die Gefahren durch Abgase und Staub am Arbeitsplatz zu vermindern. Effektive Gesundheits- und Sicherheitsprogramme, -regelungen und -verfahren zum Schutz von Mitarbeitern und anderen Personen vor gefährlichen Stäuben und Abgasen sollten entsprechend dem Rat von Gesundheits- und Sicherheitsexperten erstellt und implementiert werden. Lassen Sie sich von Experten beraten.
- ▶ Rückstände von gefährlichen Substanzen auf der Maschine bergen Risiken. Säubern Sie die Maschine vor jeder Wartung gründlich.

▲ **WARNUNG Fliegende Splitter**

Fehler des Werkstücks, des Zubehörs oder der Maschine selbst können mit hoher Geschwindigkeit fliegende Splitter erzeugen. Beim Arbeiten können Splitter oder andere Partikel des bearbeiteten Materials zu Geschossen werden und ernsthafte Verletzungen verursachen, wenn Sie den Maschinenbenutzer oder andere Personen treffen. Zur Verhütung dieses Unfallrisikos ist Folgendes zu beachten:

- ▶ Tragen Sie immer geeignete Schutzausrüstung und einen Schutzhelm, einschließlich einer Schutzbrille mit seitlicher Abschirmung der Augen.
- ▶ Stellen Sie sicher, dass Unbefugte den Arbeitsbereich nicht betreten können.
- ▶ Der Arbeitsplatz ist sauber und aufgeräumt zu hinterlassen.
- ▶ Stellen Sie sicher, dass das Werkstück wirklich fest sitzt.

▲ **WARNUNG Gefahren durch Splitter**

Wird das Werkzeug als Handschlagwerkzeug zweckentfremdet, kann dies zu Verletzungen durch Splitter führen.

- ▶ Verwenden Sie ein Werkzeug niemals als Handschlagwerkzeug. Die Werkzeuge sind speziell konstruiert und thermisch behandelt und dürfen nur in einer Maschine verwendet werden.

▲ **WARNUNG Gefahren durch Ausrutschen, Stolpern und Hinfallen**

Es besteht die Gefahr, auszurutschen, zu stolpern oder hinzufallen, z. B. Stolpern über Schläuche oder andere Gegenstände. Ausrutschen, Stolpern oder Hinfallen kann zu Verletzungen führen. Zur Verhütung dieses Unfallrisikos ist Folgendes zu beachten:

- ▶ Stellen Sie stets sicher, dass Ihnen oder anderen Personen keine Schläuche oder andere Objekte in Weg sind.
- ▶ Stellen Sie sicher, dass Sie immer eine stabile Standposition einnehmen. Verteilen Sie dazu Ihr Körpergewicht auf beide Füße, die schulterbreit auseinander stehen.

▲ WARNUNG Gefahren durch Bewegung

Bei Verwendung der Maschine für arbeitsbezogene Tätigkeiten, können Beschwerden an Händen, Armen, Schultern, am Nacken oder an anderen Körperteilen auftreten.

- ▶ Nehmen Sie eine bequeme Körperhaltung und eine sichere Standposition ein. Vermeiden Sie unsichere, unausgeglichene oder ungeschickte Haltungen.
- ▶ Bei längeren Tätigkeiten kann das Wechseln der Körperposition das Auftreten von Beschwerden und Ermüdungserscheinungen vermeiden helfen.
- ▶ Nehmen Sie bei anhaltenden oder wiederkehrenden Symptomen professionelle medizinische Hilfe in Anspruch.

▲ WARNUNG Gefahren durch Vibration

Der Anwender ist auch bei normaler und richtiger Anwendung der Maschine Vibrationen ausgesetzt. Häufige und regelmäßige Vibrationsbelastungen können zu Verletzungen der Finger, Hände, Handgelenke, Arme, Schultern und/oder der Nerven- oder Blutbahnen oder anderer Körperteile führen oder andere Körperteile führen oder bestehende Schädigungen verschlimmern. Es können chronische Beschwerden oder Schwächungen entstehen, die sich nur allmählich über Zeiträume von Wochen, Monaten oder Jahren entwickeln. Dazu kann eine Schädigung oder Störung des Blutkreislaufs, des Nervensystems, des Bewegungsapparats oder anderer Körperstrukturen gehören.

Falls während oder nach der Benutzung der Maschine andauernde Beschwerden, wie Taubheit, Brennen, Steifheit, Klopfen, Kribbeln, Schmerzen, eingeschränkte Feinmotorik oder Greiffunktion, weißliche Hautverfärbungen oder andere Symptome auftreten, stellen Sie die Arbeit ein, benachrichtigen Sie Ihren Arbeitgeber und begeben Sie sich in medizinische Betreuung. Wenn Sie nach dem Auftreten der genannten Beschwerden die Arbeit an der Maschine fortsetzen, kann das zu einer Verschlimmerung der Beschwerden oder zu chronischen Erkrankungen führen.

Betrieb und Wartung der Maschine sind entsprechend dieser Anleitung durchzuführen, um unnötig starke Vibrationen zu vermeiden.

Die folgenden Hinweise können dazu beitragen, die Vibrationsbelastung für den Anwender gering zu halten:

- ▶ Lassen Sie das Werkzeug die Arbeit verrichten. Wenden Sie zum Festhalten der Maschine nur soviel Kraft auf, wie für deren einwandfreie Steuerbarkeit und sicheren Betrieb mindestens erforderlich ist.
- ▶ Verfügt die Maschine über vibrationsdämpfende Griffe, halten Sie diese in einer zentralen Position, d. h. vermeiden die Griffe bis zum Anschlag nach unten zu drücken.
- ▶ Bei laufendem Schlagmechanismus dürfen Sie keinen anderen Körperkontakt mit der Maschine haben als die Hände am Griff oder an den Griffen. Vermeiden Sie jeden anderen Kontakt, z. B. Anlehnen irgendeines Körperteils an die Maschine, um die Vorschubkraft zu erhöhen. Wichtig ist auch, beim Zurückziehen des Werkzeugs aus der aufgebrochenen Bearbeitungsfläche den Start- und Stoppschalter nicht gedrückt zu halten.

- ▶ Stellen Sie sicher, dass das eingesetzte Werkzeug gut gewartet und nicht abgenutzt ist (einschl. der Schärfe, wenn es sich um ein Schneidwerkzeug handelt) und die richtige Größe hat. Werkzeuge, die nicht gut gewartet oder abgenutzt sind oder die falsche Größe haben, bewirken längere Bearbeitungszeiten und damit auch längere und höhere Vibrationsbelastungen.
- ▶ Stellen Sie sofort die Arbeit ein, wenn die Maschine plötzlich stark zu vibrieren anfängt. Ermitteln und beseitigen Sie die Ursache der verstärkten Vibrationen, bevor Sie die Arbeit fortsetzen.
- ▶ Fassen Sie während des Betriebs der Maschine niemals das Werkzeug an bzw. halten Sie es niemals fest.
- ▶ Nehmen Sie an medizinischen Untersuchungen und Kontrollen teil, wenn diese von Ihrem Arbeitgeber angeboten werden oder gesetzlich vorgeschrieben sind.
- ▶ Tragen Sie beim Arbeiten in kalter Umgebung warme Kleidung, und halten Sie Ihre Hände warm und trocken.
- ▶ Die Abluft ist sehr kalt und darf nicht mit dem Bediener in Berührung kommen. Leiten Sie die Abluft stets von den Händen und vom Körper weg.

Lesen Sie die für diese Maschine geltenden „Angaben zu Geräuschemission und Vibration“ einschließlich der angegebenen Vibrationswerte. Diese Informationen befinden sich am Ende dieser Sicherheits- und Betriebsanleitung.

- ◆ Halten Sie den für den Betrieb der Maschine empfohlenen Luftdruck ein. Höherer oder niedrigerer Luftdruck als der empfohlene kann zu stärkeren Vibrationen führen.

▲ GEFAHR Gefahren durch elektrischen Strom

Die Maschine ist nicht elektrisch isoliert. Wenn die Maschine mit Elektrizität in Kontakt kommt, kann dies zu ernsthaften Verletzungen oder zum Tod führen.

- ▶ Betreiben Sie die Maschine niemals in der Nähe von elektrischen Leitungen oder anderen Stromquellen.
- ▶ Stellen Sie sicher, dass innerhalb des Arbeitsbereichs keine verborgenen elektrischen Quellen vorhanden sind.

▲ WARNUNG Gefahren durch verborgenen Objekte

Beim Arbeiten stellen verborgene Leitungen und Rohre eine Gefahr dar, die zu ernsthaften Verletzungen führen kann.

- ▶ Prüfen Sie vor Beginn der Arbeiten die Zusammensetzung des Materials.
- ▶ Achten Sie auf verborgene Kabel und Leitungen, z. B. Elektro-, Telefon-, Wasser-, Gas- und Abwasserleitungen.
- ▶ Wenn Sie glauben, dass das Werkzeug ein verborgenes Objekt getroffen hat, schalten Sie die Maschine sofort aus.
- ▶ Stellen Sie sicher, dass keine Gefahr besteht, bevor Sie fortfahren.

▲ WARNUNG Unbeabsichtigter Start

Unbeabsichtigtes Starten der Maschine kann zu Verletzungen führen.

- ▶ Halten Sie Ihre Hände so lange vom Start- und Stoppschalter fern, bis Sie zum Starten der Maschine bereit sind.
- ▶ Machen Sie sich damit vertraut, wie die Maschine im Notfall ausgeschaltet wird.
- ▶ Lassen Sie bei jeglicher Unterbrechung der Energieversorgung sofort den Start- und Stoppschalter los.
- ▶ Schalten Sie bei jedem Einsetzen/Entfernen des Werkzeugs die Luftzufuhr ab, lassen Sie die Maschine durch Betätigen des Start- und Stoppschalters auslaufen, und trennen Sie die Maschine von der Energieversorgung.

▲ WARNUNG Gehörverlust

Hohe Schallpegel können zu bleibendem Hörverlust und anderen Problemen wie Tinnitus (Klingel-, Summ-, Brumm- oder Pfeifgeräusche in den Ohren) führen. Zur Verringerung dieser Gefahren und zur Vermeidung von unnötig hohen Schallpegeln ist Folgendes zu beachten:

- ▶ Eine Risikoanalyse dieser Gefahren und eine Implementierung geeigneter Kontrollmaßnahmen werden dringend empfohlen.
- ▶ Betrieb und Wartung der Maschine sind entsprechend dieser Anleitung durchzuführen.
- ▶ Auswahl, Wartung und Austausch des Werkzeugs sind entsprechend dieser Anleitung durchzuführen.
- ▶ Verfügt die Maschine über einen Schalldämpfer, stellen Sie sicher, dass dieser angebracht und in einwandfreiem Zustand ist.
- ▶ Tragen Sie stets einen Gehörschutz.
- ▶ Verwenden Sie dämpfende Materialien, um das „Klingeln“ von Werkstücken zu vermeiden.

Wartung, Vorsichtsmaßnahmen

▲ **WARNUNG** Änderungen an der Maschine

Änderungen an der Maschine können zu schweren Unfällen führen.

- ▶ Nehmen Sie niemals Änderungen an der Maschine vor. Bei modifizierten Maschinen entfallen Garantie und Produkthaftung.
- ▶ Verwenden Sie stets Originalteile, Originalwerkzeuge und Originalzubehör von Atlas Copco.
- ▶ Wechseln Sie beschädigte Bauteile sofort aus.
- ▶ Ersetzen Sie verschlissene Komponenten rechtzeitig.

▲ **VORSICHT** Heißes Werkzeug

Die Spitze des Werkzeugs kann während des Betriebs sehr heiß und scharf werden. Das Berühren der Spitze kann zu Verbrennungen und Schnittverletzungen führen.

- ▶ Berühren Sie niemals ein heißes oder scharfes Werkzeug.
- ▶ Warten Sie mit eventuellen Wartungsarbeiten bis sich das Werkzeug abgekühlt hat.

▲ **WARNUNG** Gefahren durch Werkzeuge

Sofern die Energieversorgung noch angeschlossen ist, kann ein unbeabsichtigtes Betätigen des Start- und Stoppschalters während Wartungs- oder Installationstätigkeiten zu ernsthaften Verletzungen führen.

- ▶ Prüfen, säubern, installieren oder entfernen Sie niemals das Werkzeug bei noch angeschlossener Energieversorgung.

Lagerung, Vorsichtsmaßnahmen

- ◆ Lagern Sie die Maschine und die Werkzeuge in einer sicheren, abgeschlossenen Umgebung und für Kinder unzugänglich.

Übersicht

Lesen Sie bitte vor Installation, Betrieb, Reparatur und Wartung der Maschine bzw. vor dem Wechsel von Zubehör die Sicherheitshinweise und die Betriebsanleitung sorgfältig durch, um Unfallrisiken, die mit ernsthaften Verletzungen oder Lebensgefahr verbunden sein können, zu vermeiden.

Konstruktion und Funktion

Die folgende Anleitung gilt für das Modell TEX 07PE.

Die TEX 07PE ist eine Maschine mit vibrationsdämpfendem D-Griff für leichte Abriss- oder Industriearbeiten. Die Maschine kann sowohl horizontal als auch vertikal betrieben werden. Andere Einsatzgebiete sind nicht zulässig.

Zur Wahl des richtigen Werkzeugs schlagen Sie bitte in der Ersatzteilliste nach.

Auswahl des für die Arbeitsaufgabe passenden Druckluft-Aufbrechhammers

Es ist wichtig, einen Druckluft-Aufbrechhammer in für die Arbeitsaufgabe passender Größe auszuwählen.

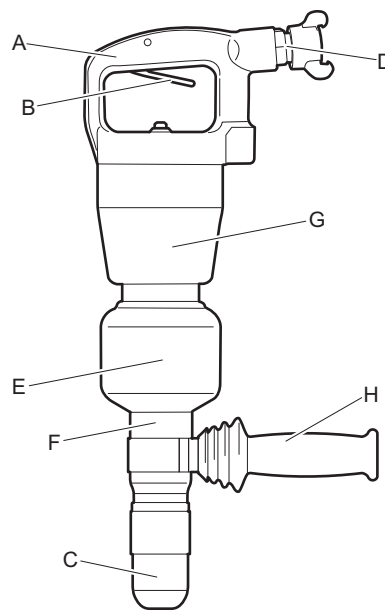
Bei einem zu kleinen Druckluft-Aufbrechhammer dauert die Arbeit länger.

Ein zu großer Hammer muss häufig neu positioniert werden, was für den Anwender unnötig ermüdend ist.

Als Faustregel für die Größenauswahl des Druckluft-Aufbrechhammers kann gelten, dass ein Bruchstück normaler Größe innerhalb von 5 bis 10 Sekunden herausgebrochen werden kann.

- Dauert dies weniger als 5 Sekunden, sollte ein kleinerer Druckluft-Aufbrechhammer verwendet werden.
- Dauert dies länger als 10 Sekunden, sollte ein größerer Druckluft-Aufbrechhammer verwendet werden.

Hauptkomponenten

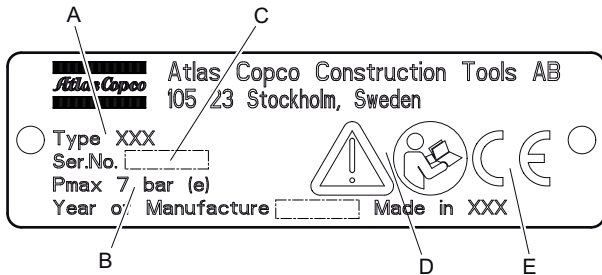


- A. Griff
- B. Auslöser
- C. Werkzeugaufnahme
- D. Luftzufuhr
- E. Schalldämpfer
- F. Zylinder
- G. Gehäuse
- H. Frontgriff (optional)

Etiketten

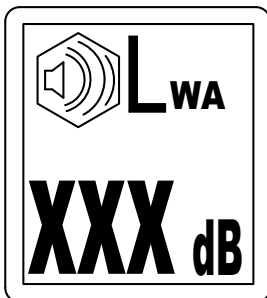
An der Maschine sind Etiketten mit wichtigen Informationen zu Sicherheit und Wartung angebracht. Die Etiketten müssen stets gut lesbar sein. Neue Etiketten können anhand der Ersatzteilliste bestellt werden.

Typenschild



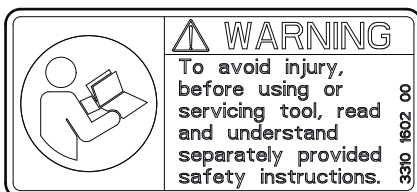
- A. Maschinentyp
- B. Max. zulässiger Druckluftdruck
- C. Seriennummer
- D. Das Warnsymbol und das Buchsymbol weisen darauf hin, dass Sie vor dem ersten Einsatz der Maschine die Sicherheitshinweise und die Betriebsanleitung lesen müssen.
- E. Das CE-Zeichen zeigt an, dass die Maschine EG-geprüft ist. Weitere Informationen dazu finden Sie in der beigegeführten EG-Konformitätserklärung. Fehlt das CE-Zeichen, bedeutet dies, dass die Maschine nicht EG-geprüft ist.

Geräuschpegelkett



Das Etikett gibt den garantierten Geräuschpegel entsprechend der EC-Richtlinie 2000/14/EC an. Den korrekten Geräuschpegelwert finden Sie unter „Technische Daten“.

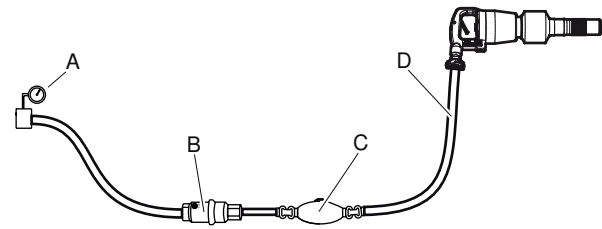
Sicherheitsschild



Lesen Sie vor Benutzung und Wartung des Werkzeugs die separat mitgelieferten Sicherheitshinweise sorgfältig durch, um Verletzungen zu vermeiden.

Installation

Schläuche und Anschlüsse



- A. Druckluftquelle
 - B. Wasserabscheider (optional)
 - C. Schmiervorrichtung (optional)
 - D. Max. 3 m (10 ft) Druckluftschlauch zwischen Schmiervorrichtung und Maschine.
- ◆ Stellen Sie sicher, dass Sie den richtigen Luftdruck 6 Bar (87 psi) eingestellt haben.
 - ◆ Der für die Maschine zulässige maximale Luftdruck von 7 Bar (102 psi) darf nicht überschritten werden.
 - ◆ Blasen Sie alle Verunreinigungen aus dem Druckluftschlauch aus, bevor Sie die Maschine anschließen.
 - ◆ Wählen Sie für den Druckluftschlauch den richtigen Durchmesser und die passende Länge aus. Für Schlauchlängen bis 30 m (100 ft) sollte ein Innendurchmesser von mindestens 19 mm (3/4 in.) verwendet werden. Für Schlauchlängen von 30 m bis 100 m (100 bis 330 ft) sollte ein Innendurchmesser von mindestens 25 mm (1 in.) verwendet werden.

Methoden zur Vermeidung von Einfrieren

Bei Umgebungstemperaturen von 0 bis 10 °C (32 bis 50 °F) und hoher relativer Luftfeuchtigkeit kann sich im Schalldämpfer Eis bilden.

Die Maschine ist so konstruiert, dass eine Eisbildung im Schalldämpfer vermieden wird. Dennoch kann sich unter extremen Bedingungen im Schalldämpfer Eis bilden.

Eine weitere Verringerung des Risikos für Eisbildung wird durch folgende Maßnahmen erreicht:

- ◆ Verwenden Sie als Schmiermittel Breaker and hammer AIR-OIL von Atlas Copco. Breaker and hammer AIR-OIL wirkt der Eisbildung entgegen.
- ◆ Verwenden Sie einen Wasserabscheider.

Anschließen eines Wasserabscheiders

Der Schlauch zwischen Kompressor und Wasserabscheider muss so lang sein, dass der Wasserdampf abkühlt und kondensiert, bevor er den Wasserabscheider erreicht.

Wenn die Umgebungstemperatur unter 0 °C (32 °F) liegt, muss der Schlauch kurz genug sein, damit das Wasser im Schlauch nicht gefriert, bevor es den Wasserabscheider erreicht.

Schmierung

Das Schmiermittel ist wichtig für die Funktionsfähigkeit der Maschine und hat großen Einfluss auf deren Lebensdauer. Ist keine integrierte Schmiervorrichtung vorhanden, schließen Sie eine separate Schmiervorrichtung an den Druckluftschlauch an. Um eine gute Schmierung zu gewährleisten, sollte die Länge des Luftschlauchs zwischen der separaten Schmiervorrichtung und der Druckluftmaschine 3 m nicht überschreiten.

Verwenden Sie ein synthetisches Schmiermittel, z. B. „Atlas Copco Breaker and Hammer AIR-OIL“ oder Mineralöl mit den in der Tabelle unten empfohlenen Eigenschaften.

Schmiermittel	Temperaturbereich (°C)	Viskosität
Breaker and Hammer AIR-OIL	-30 bis +50	-
Mineralöl/ Synthetisches Öl	+15 bis +50	ISO VG 46–68
Mineralöl/ Synthetisches Öl	-20 bis +15	ISO VG 22–32

Werkzeug

▲ VORSICHT Heißes Werkzeug

Die Spitze des Werkzeugs kann während des Betriebs sehr heiß und scharf werden. Das Berühren der Spitze kann zu Verbrennungen und Schnittverletzungen führen.

- ▶ Berühren Sie niemals ein heißes oder scharfes Werkzeug.
- ▶ Warten Sie mit eventuellen Wartungsarbeiten bis sich das Werkzeug abgekühlt hat.

HINWEIS Kühlen Sie ein heißes Werkzeug niemals in Wasser ab. Dies könnte zur Versprödung des Werkzeugs und zu dessen vorzeitigem Ausfall führen.

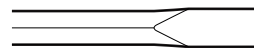
Auswählen des richtigen Werkzeugs

Die Auswahl des richtigen Werkzeugs ist eine Grundvoraussetzung für die ordnungsgemäße Funktion der Maschine. Um Maschinenschäden zu vermeiden, ist es wichtig, ein qualitativ hochwertiges Werkzeug zu verwenden.

Die Maschine kann durch die Verwendung eines falschen Werkzeugs zerstört werden.

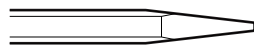
Die empfohlenen Werkzeuge sind in der Ersatzteilliste aufgeführt.

Flachmeißel



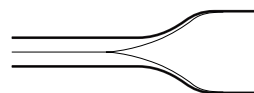
Der Flachmeißel ist für Abriss- und Trennarbeiten in Verbindung mit Beton und anderen harten Materialien vorgesehen.

Spitzmeißel



Der Spitzmeißel ist nur für das Erzeugen von Löchern in Beton und anderen harten Materialien vorgesehen.

Breitmeißel

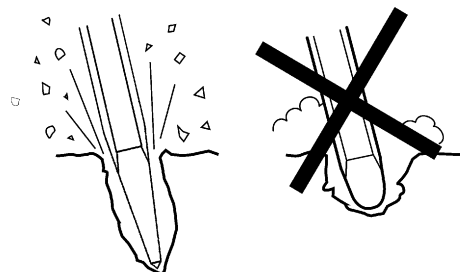


Der Breitmeißel ist nur für weiche Materialien wie Asphalt oder gefrorenen Boden vorgesehen.

▲ WARNUNG Gefahren durch Vibration

Erfüllt das Werkzeug nicht die unten genannten Anforderungen, führt dies zu einer längeren Bearbeitungszeit und damit auch zu höheren Vibrationsbelastungen. Ein abgenutztes Werkzeug bewirkt ebenfalls längere Bearbeitungszeiten.

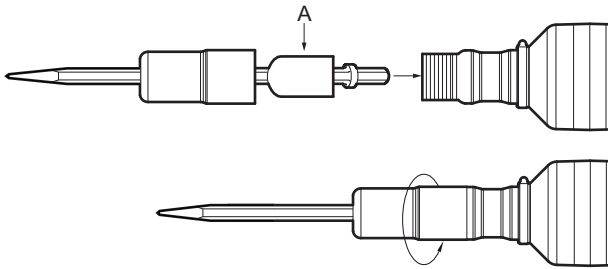
- ▶ Stellen Sie sicher, dass das Werkzeug gut gewartet und nicht abgenutzt ist und die richtige Größe hat.
- ▶ Verwenden Sie immer ein scharfes Werkzeug, um effektiv arbeiten zu können.



Einsetzen und Entfernen des Werkzeugs

Bei jedem Einsetzen oder Entfernen des Werkzeugs müssen die folgenden Anweisungen beachtet werden:

- ◆ Um einen unbeabsichtigten Start zu verhindern: Schalten Sie die Luftzufuhr ab und trennen Sie die Maschine von der Energieversorgung. Lassen Sie die Maschine durch Betätigen des Start- und Stoppschalters auslaufen.
- ◆ Fetten Sie vor dem Einsetzen eines Werkzeugs den Werkzeugschaft ein.
- ◆ Schließen Sie die Werkzeugaufnahme, und prüfen Sie die Arretierung, indem Sie kräftig und ruckartig am Werkzeug ziehen.



1. Schieben Sie die Verschlusskappe über den Sechskantschaft des Werkzeugs.
2. Schieben Sie den Puffer (A) über den Werkzeugschaft.
3. Setzen Sie das Werkzeug in den Zylinder ein, und schrauben Sie die Verschlusskappe so weit auf den Zylinder, bis diese gesichert ist.

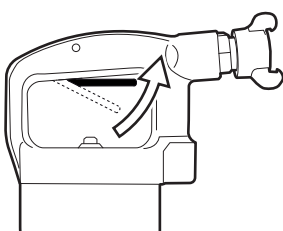
Betrieb

▲ WARNUNG Unbeabsichtigter Start

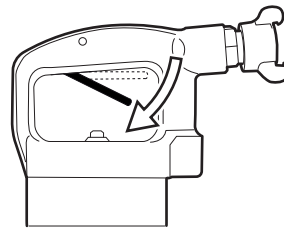
Unbeabsichtigtes Starten der Maschine kann zu Verletzungen führen.

- ▶ Halten Sie Ihre Hände so lange vom Start- und Stoppschalter fern, bis Sie zum Starten der Maschine bereit sind.
- ▶ Machen Sie sich damit vertraut, wie die Maschine im Notfall ausgeschaltet wird.
- ▶ Stoppen Sie die Maschine bei jeglicher Unterbrechung der Energieversorgung.

Start und Stopp



Halten Sie den Griff gut fest, und starten Sie die Maschine durch Drücken des Auslösers.

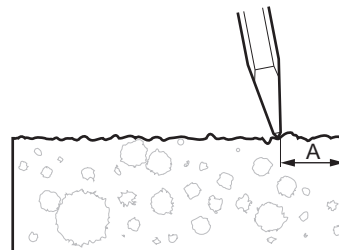


Stoppen Sie die Maschine durch Loslassen des Auslösers. Der Auslöser kehrt automatisch in die Stopposition zurück.

Betrieb

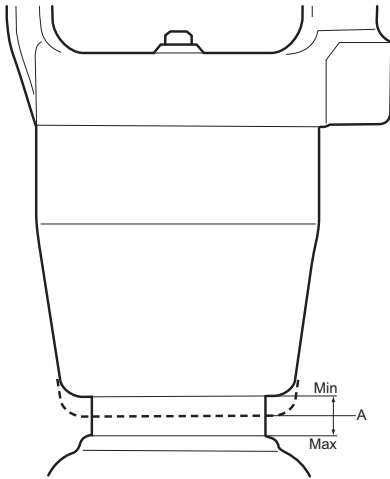
Beginnen eines Abbruchs

- ◆ Nehmen Sie eine stabile Standposition ein und halten Sie Ihre Füße vom Werkzeug fern.
- ◆ Drücken Sie die Maschine vor dem Start auf die Oberfläche des zu bearbeitenden Objekts.
- ◆ Wählen Sie den Ansatzpunkt in einem solchen Abstand von der Bruchkante, dass die Maschine in der Lage ist, das Material ohne Hebelwirkung aufzubrechen.
- ◆ Versuchen Sie niemals, zu große Bruchstücke abzubringen. Passen Sie den Bruchabstand (A) so an, dass das Werkzeug nicht stecken bleibt.



Aufbrechen

- ◆ Lassen Sie die Maschine die Arbeit verrichten; drücken Sie nicht zu fest auf. Der vibrationsdämpfende Griff darf auf keinen Fall bis zum Anschlag nach unten gedrückt werden.
- ◆ Druckluftmaschinen mit vibrationsdämpfenden Griffen: Die Vorschubkraft sollte so angepasst werden, dass der Griff ungefähr zur Hälfte heruntergedrückt wird. In dieser Position werden die beste Vibrationsdämpfung und die beste Aufbrechwirkung erzielt.



- ◆ Vermeiden Sie die Bearbeitung extrem harter Materialien, z. B. Granit und Stahlarmerungen (Betonrippenstahl), da dies beträchtliche Vibrationen erzeugt.
- ◆ Vermeiden Sie jeglichen Leerschlagbetrieb, z. B. Betrieb der Maschine ohne Werkzeug oder im angehobenen Zustand.
- ◆ Wenn die Maschine angehoben wird, darf der Start- und Stoppschalter nicht bedient werden.
- ◆ Prüfen Sie regelmäßig, ob die Maschine gut geschmiert ist.

Einlegen von Pausen

- ◆ Bringen Sie die Maschine während jeder Pause außer Reichweite, so dass ein unbeabsichtigtes Starten der Maschine ausgeschlossen ist. Stellen Sie die Maschine stets so auf dem Boden ab, dass sie nicht umfallen kann.
- ◆ Bei längeren Pausen oder beim Verlassen des Arbeitsplatzes: Schalten Sie die Energieversorgung aus, und lassen Sie die Maschine durch Betätigen des Start- und Stoppschalters auslaufen.

Wartung

Eine regelmäßige Wartung ist die Grundvoraussetzung für den Erhalt der Sicherheit und Effektivität der Maschine. Halten Sie sich bitte genau an die Wartungsanweisungen.

- ◆ Säubern Sie die Maschine vor dem Start, um gefährliche Substanzen fernzuhalten. Siehe „Gefahren durch Abgase und Staub“
- ◆ Verwenden Sie ausschließlich Originalbauteile. Schäden oder Fehlfunktionen, die durch den Einsatz unzulässiger Bauteile entstehen, werden nicht durch Garantie oder Produkthaftung abgedeckt.
- ◆ Stellen Sie beim Reinigen mechanischer Teile mit Lösungsmittel sicher, dass die geltenden Gesundheits- und Sicherheitsvorschriften eingehalten werden und für ausreichende Lüftung gesorgt ist.
- ◆ Für eine Hauptdurchsicht der Maschine wenden Sie sich an Ihre nächste Vertragswerkstatt.
- ◆ Prüfen Sie nach jeder Wartung, ob die Vibrationsstärke der Maschine normal ist. Ist dies nicht der Fall, wenden Sie sich an Ihre nächste Vertragswerkstatt.

Täglich

Schalten Sie bei pneumatischen Maschinen vor jeder Wartung oder jedem Werkzeugwechsel immer die Druckluftversorgung aus und lassen Sie die Maschine durch Betätigen des Start- und Stoppschalters auslaufen. Trennen Sie anschließend den Druckluftschlauch von der Maschine.

- ◆ Säubern und prüfen Sie die Maschine auf ihre Funktionsfähigkeit täglich vor Arbeitsbeginn.
- ◆ Prüfen Sie die Werkzeugaufnahme auf Verschleiß und Funktion.
- ◆ Führen Sie eine allgemeine Prüfung auf Undichtigkeiten und Beschädigungen durch.
- ◆ Stellen Sie sicher, dass der Einlassnippel festgezogen und die Klauenkupplung nicht beschädigt ist.
- ◆ Damit die Maschine die angegebenen Vibrationswerte einhält, sollte Folgendes immer geprüft werden:
Ein zu großer Spalt zwischen Werkzeugschaft und Meißelbuchse verursacht stärkere Vibrationen. Um erhöhte Vibrationsbelastungen zu vermeiden, prüfen Sie täglich die Meißelbuchse auf Abnutzung.

- ◆ Verfügt die Maschine über einen/mehrere vibrationsdämpfende Griff/e, stellen Sie sicher, dass dieser sich frei bewegen lässt (auf – ab) und nicht klemmt.
- ◆ Wechseln Sie beschädigte Bauteile sofort aus.
- ◆ Ersetzen Sie verschlissene Komponenten rechtzeitig.
- ◆ Stellen Sie sicher, dass Ausrüstung und Zubehör, z. B. Schläuche, Wasserabscheider und Schmiervorrichtungen, gut gewartet sind.

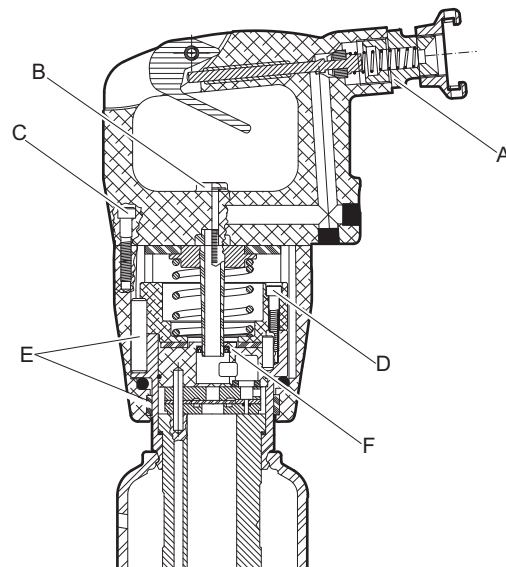
Regelmäßige Wartung

Nach einer Betriebsdauer von ca. 100 Stunden (oder dreimal pro Jahr) muss die Maschine zerlegt und alle Teile gereinigt und geprüft werden. Dies Arbeit muss von speziell hierfür geschultem Personal durchgeführt werden.

Um eine hohen Wirkungsgrad der Maschine zu erhalten, kann als Richtlinie gelten, dass die Einzelteile nicht stärker abgenutzt sein sollten, als die in der Tabelle angegebenen Maße. Hinweis: Der Kolben des TEX 07PE hat keine Luftkissendämpfung. Daher kann die Dämpfungsqualität nicht als Kriterium für den Abnutzungsgrad von Kolben und Zylinder herangezogen werden.

Bauteil	Max. Innendurchmesser (mm)	Min. Außendurchmesser (mm)
Zylinder	28,63	-
Kolben	-	28,50

Instrucciones de montaje



- A. Par: 88–95 Nm, utilizar Loctite® 243™ (Loctite es una marca registrada de Henkel Corporation. 243 es una marca comercial de Henkel Corporation.)
- B. Par: 15–17 Nm, UNF 1/4" x 44 (1-3/4")
- C. Par: 15–17 Nm, UNC 1/4" x 32 (1-1/4")
- D. Par: 17 Nm, utilizar Loctite® 243™, M6 x 40 - 12.9
- E. No lubrique los rodillos de soporte, aro de protección o superficies de contacto correspondientes.
- F. Extraiga la junta tórica del cierre antes del montaje. La junta tórica es únicamente un soporte para garantizar que el cierre mantiene la forma correcta hasta montarse.

Fehlersuche

Wenn die Druckluftmaschine nicht startet oder geringe oder ungleichmäßige Leistung abgibt, prüfen Sie die folgenden Punkte.

- ◆ Stellen Sie sicher, dass ein Werkzeug mit korrekter Schaftgröße eingesetzt ist.
- ◆ Stellen Sie sicher, dass die Druckluftmaschine mit der korrekten Menge Schmiermittel versorgt wird. Zu viel Schmiermittel kann Start- probleme, geringe oder ungleichmäßige Leistung verursachen.
- ◆ Stellen Sie sicher, dass das Druckluftsystem die Maschine mit ausreichend Druckluft für maximale Leistung versorgt.

- ◆ Prüfen Sie, ob Länge und Durchmesser des Druckluftschlauchs den Empfehlungen entsprechen. Siehe „Installation“.
- ◆ Falls Eisbildungsgefahr besteht, stellen Sie sicher, dass die Abluftöffnungen der Maschine nicht blockiert sind.
- ◆ Wenn die Maschine nach diesen Verfahren weiterhin nicht zufriedenstellend funktioniert, wenden Sie sich bitte an eine Vertragswerkstatt.

Lagerung

- Reinigen Sie die Maschine gut vor der Lagerung, um gefährliche Substanzen fernzuhalten. Siehe „Gefahren durch Abgase und Staub“
- Füllen Sie ca. ½ oz (5 cl) Öl direkt in den Lufteinlassnippel, verbinden die Maschine mit der Druckluftversorgung, und lassen Sie sie für ein paar Sekunden laufen.
- Lagern Sie die Maschine immer an einem trockenen Ort.

Entsorgung

Eine verschlissene Maschine muss so entsorgt werden, dass so viel Material wie möglich wiederverwendet werden kann und die Umwelt in Übereinstimmung mit den örtlichen Regelungen so wenig wie möglich belastet wird.

Technische Daten

Maschinendaten

Typ	Schaftgröße mm	Gewicht kg	Länge mm	Schlagfreq. Hz	Luftdurchsatz l/s
TEX 07PE	H19 x 50	8,7	525	29,5	17
TEX 07PE, mit Frontgriff	H19 x 50	9,0	525	29,5	17

Angaben zu Geräuschemission und Vibration

Garantierter Schalleistungspegel **L_w** gemäß EN ISO 3744 in Übereinstimmung mit der Richtlinie 2000/14/EG. Schalldruckpegel **L_p** gemäß EN ISO 11203.

Vibrationswert **A** und Unsicherheit **B**, ermittelt gemäß EN ISO 20643. Die Werte A, B usw. sind in der Tabelle „Angaben zu Geräuschemission und Vibration“ enthalten.

Die angegebenen Werte wurden durch Bauartprüfung im Labor entsprechend den angegebenen Richtlinien bzw. Normen ermittelt und eignen sich nur für den Vergleich mit den angegebenen Werten anderer Werkzeuge, die entsprechend den gleichen Richtlinien bzw. Normen ermittelt wurden. Die angegebenen Werte eignen sich nicht zur Verwendung in Risikoanalysen, denn die in individuellen Arbeitsumgebungen gemessenen Werte können höher sein. Die tatsächliche Belastung und das Verletzungsrisiko für den einzelnen Anwender hängen jeweils von der Arbeitsweise des Anwenders, vom bearbeiteten Material, von der Belastungsdauer, von der physischen Kondition des Anwenders und vom Zustand der Maschine ab.

Atlas Copco Construction Tools AB haftet nicht für Folgen, falls die genannten Werte anstelle der Werte verwendet werden, die der tatsächlichen Belastung entsprechen, hervorgehend aus einer individuellen Risikoanalyse in einer Arbeitsplatzsituation, die wir nicht beeinflussen können.

Diese Maschine kann das Hand-Arm Vibrationssyndrom auslösen, wenn sie nicht angemessen bedient wird. Eine EU-Richtlinie zum Umgang mit Hand-Arm-Vibrationen ist über <http://www.humanvibration.com/humanvibration/EU/VIBGUIDE.html> abrufbar.

Wir empfehlen ein Gesundheitsüberwachungsprogramm zur Erkennung auch erster Symptome, die möglicherweise auf eine Vibrationsbelastung zurückzuführen sind, so dass betriebliche Maßnahmen zur Vorbeugung jeglicher Beeinträchtigungen ergriffen werden können.

Zusätzliche Informationen über Vibration

Diese Informationen dienen dazu, den Vibrationswert am Arbeitsplatz grob abzuschätzen.

Die Vibrationsbelastung variiert stark und hängt in hohem Maß von der Arbeitsaufgabe und der Bedienungstechnik des Anwenders ab. Die angegebenen Werte beziehen sich nur auf den/die Hauptgriff/e. In anderen Handpositionen können viel höhere Vibrationswerte auftreten. Wir sind der Auffassung, dass der normale bestimmungsgemäße Gebrauch der Maschine je nach den Besonderheiten der Arbeitsaufgabe Vibrationsbelastungen im Bereich von C^{m/s^2} und E^{m/s^2} (Gesamtwerte für Vibration gemäß EN ISO 5349-1). Bei einigen Anwendungen können auch Belastungen außerhalb dieser Bereiche auftreten.

Werte von D^{m/s^2} und F^{m/s^2} sind sicher nützliche durchschnittliche Angaben, um z. B. die wahrscheinliche, durchschnittliche Belastung eines Anwenders grob abzuschätzen, dem innerhalb des bestimmungsgemäßen Gebrauchs der Maschine ein breiter Aufgabenbereich zugeordnet werden kann. Wir möchten jedoch hervorheben, dass eine bestimmte, spezielle Aufgabe andere Durchschnittsvibrationswerte erzeugen kann, und empfehlen in solchen Fällen dringend eine spezifische Bewertung der Vibrationsemission.

Daten zu Geräuschemission und Vibration

Typ	Geräuschemission		Vibration					
	Schalldruck	Schalleistung	Dreiachsenwerte					
	Angegebene Werte		Angegebene Werte		Zusätzliche Informationen über Vibration			
	EN ISO 11203	2000/14/EG	EN ISO 20643		Beton		Mauerwerk	
	Lp r=1m dB(A) bei 20 µPa	Lw garantiert dB(A) bei 1 pW	A m/s ² Wert	B m/s ² Verteilung	C m/s ² Bereich	D m/s ² Durchschn.	E m/s ² Bereich	F m/s ² Durchschn.
TEX 07PE Nur mit D-Griff	87	104	12,4	1,7	9,0-11,9	10,5	7,9-10,0	9,0
TEX 07PE Mit D-Griff und Frontgriff	87	104	10,5	1,5	7,5-11,2	9,6	9,6-12,2	10,6

EG-Konformitätserklärung

EG-Konformitätserklärung (EG-Richtlinie 2006/42/EG)

Wir, die Atlas Copco Construction Tools AB, erklären hiermit, dass die nachfolgend aufgelisteten Maschinen die Bestimmungen der EG-Richtlinien 2006/42/EG (Maschinenrichtlinie) und 2000/14/EG (Lärmschutzrichtlinie) sowie die nachfolgend genannten harmonisierten Normen erfüllen.

Hand-Druckluftaufbrechhämmer	Garantierter Schalleistungspegel [dB(A)]	Gemessener Schalleistungspegel [dB(A)]	Pmax [bar]
TEX 07PE	104	98	7

Folgende harmonisierte Normen wurden angewandt:

- ◆ EN ISO 11148-4

Folgende andere Normen wurden angewandt:

- ◆ Lloyds Register Quality Assurance, NoBo no.0088

Bevollmächtigter für die technische Dokumentation:

Per Forsberg
 Atlas Copco Construction Tools AB
 Dragonvägen 2
 Kalmar

Vizepräsident – Design und Entwicklung:

Erik Sigfridsson

Hersteller:

Atlas Copco Construction Tools AB
 105 23 Stockholm
 Sweden

Ort und Datum:

Kalmar, 2012-06-30

ESPAÑOL

Contenido

Introducción.....	69
Acerca de las instrucciones de seguridad y de funcionamiento.....	69
Instrucciones de seguridad.....	70
Terminología de las señales de seguridad.....	70
Precauciones y cualificaciones del personal.....	70
Equipo de protección personal.....	70
Drogas, alcohol y medicación.....	70
Instalación, precauciones.....	70
Funcionamiento, precauciones.....	71
Mantenimiento, precauciones.....	75
Almacenamiento, precauciones.....	75
Visión general.....	76
Diseño y funcionamiento.....	76
Elección del rompedor neumático correcto para una tarea determinada.....	76
Piezas principales.....	76
Etiquetas.....	76
Placa de datos.....	77
Etiqueta de nivel de ruido.....	77
Etiqueta de seguridad.....	77
Instalación.....	77
Mangueras y conexiones.....	77
Métodos para evitar la congelación.....	77
Conexión de un separador de agua.....	78
Lubricación.....	78
Herramienta de inserción.....	78
Selección de la herramienta de inserción adecuada.....	78
Cinzel estrecho.....	78
Cinzel de punta.....	78
Cinzel de hoja ancha.....	78
Colocación y extracción de la herramienta de inserción.....	79
Funcionamiento.....	79
Puesta en marcha y parada.....	79
En funcionamiento.....	79
Inicio del corte.....	79
Roturas.....	80
En los descansos.....	80
Mantenimiento.....	80
A diario.....	80
Mantenimiento periódico.....	81
Instrucciones de montaje.....	81
Localización y resolución de problemas.....	81
Almacenaje.....	82
Desechar.....	82
Especificaciones técnicas.....	83
Datos de la máquina.....	83
Declaración de ruido y vibraciones.....	83
Información adicional sobre las vibraciones.....	83

Datos de ruido y vibraciones.....	84
Declaración CE de conformidad.....	85
Declaración CE de conformidad (Directiva 2006/42/CE).....	85

Introducción

Gracias por elegir un producto de Atlas Copco. Desde 1873, tenemos el compromiso de encontrar nuevas y mejores formas de satisfacer las necesidades de nuestros clientes. A lo largo de los años, hemos desarrollado diseños de productos innovadores y ergonómicos que han ayudado a mejorar y racionalizar el trabajo diario de nuestros clientes.

Atlas Copco cuenta con una sólida red de ventas y servicios a escala mundial formada por centros de atención al cliente y distribuidores repartidos por todo el mundo. Nuestros expertos son profesionales altamente cualificados que poseen amplios conocimientos sobre los productos y una gran experiencia con las aplicaciones. En todos los rincones del mundo ofrecemos asistencia al producto y nuestra experiencia para garantizar que nuestros clientes puedan trabajar siempre con la mayor eficiencia.

Para obtener más información, visite: www.atlascopco.com

Atlas Copco Construction Tools AB

105 23 Stockholm

Sweden

Acerca de las instrucciones de seguridad y de funcionamiento

El objetivo de las instrucciones es ofrecerle indicaciones sobre el uso del martillo picador neumático de forma segura y eficaz. Las instrucciones también describen cómo realizar el mantenimiento regular del martillo picador neumático.

Antes de usar el martillo picador neumático por primera vez, debe leer estas instrucciones atentamente y entenderlas en su totalidad.

Instrucciones de seguridad

Para reducir el riesgo de que usted u otras personas padezcan lesiones graves o la muerte, lea las Instrucciones de seguridad y funcionamiento antes de instalar, usar, reparar o cambiar la máquina o de realizar su mantenimiento.

Exponga estas instrucciones de seguridad y funcionamiento en las zonas de trabajo, proporcione copias a los empleados y asegúrese de que todos las lean antes de utilizar o reparar la máquina.

Además, el operario o su empleador deberá evaluar los riesgos específicos que pueden surgir como resultado del uso de la máquina.

Terminología de las señales de seguridad

Los términos de seguridad Peligro, Atención y Cuidado tienen los siguientes significados:

PELIGRO	Indica una situación de peligro que, si no se evita, ocasionará la muerte o lesiones graves.
ADVERTENCIA	Indica una situación de peligro que, si no se evita, podría ocasionar la muerte o lesiones graves.
ATENCIÓN	Indica una situación de peligro que, si no se evita, podría ocasionar lesiones menores o moderadas.

Precauciones y cualificaciones del personal

Sólo personas cualificadas y debidamente formadas pueden utilizar u ocuparse del mantenimiento de la máquina. Deben poder manejar físicamente el volumen, el peso y la potencia de la herramienta. Utilice siempre su sentido común y buen juicio.

Equipo de protección personal

Utilice siempre equipo de protección autorizado. Los operarios y el resto del personal del área de trabajo deben llevar, como mínimo, el siguiente equipo de protección:

- Casco de protección
- Protección auditiva
- Protección ocular resistente a los impactos con protección lateral
- Protección respiratoria, cuando sea necesario
- Guantes protectores
- Botas protectoras adecuadas

- Una bata de trabajo adecuada o prenda similar (no holgada) que cubra los brazos y las piernas.

Drogas, alcohol y medicación

▲ ADVERTENCIA Drogas, alcohol y medicación

Las drogas, el alcohol y la medicación pueden alterar la capacidad de juicio y el poder de concentración. Las malas reacciones y las valoraciones incorrectas pueden provocar accidentes graves o la muerte.

- ▶ Nunca utilice la máquina cuando esté cansado o bajo los efectos de drogas, alcohol o medicinas.
- ▶ Nadie que esté bajo los efectos de drogas, alcohol o medicinas podrá manejar la máquina.

Instalación, precauciones

▲ PELIGRO Manguera de aire suelta

Una manguera de aire comprimido suelta puede asestar latigazos y ocasionar lesiones o incluso la muerte. Para reducir este riesgo:

- ▶ Compruebe que la manguera de aire comprimido y las conexiones no estén dañadas y sustitúyalas si es necesario.
- ▶ Compruebe que todas las conexiones de aire comprimido estén debidamente conectadas.
- ▶ No arrastre nunca una máquina neumática por la manguera del aire.
- ▶ No intente nunca desconectar una manguera de aire comprimido que esté presurizada. En primer lugar, apague el suministro de aire comprimido del compresor y, a continuación, purgue la máquina activando el dispositivo de puesta en marcha y parada.
- ▶ No utilice acoplamiento rápidos de desconexión en la entrada de la herramienta. Utilice fijaciones roscadas de la manguera de acero endurecido (o de otro material con una resistencia de choque similar).
- ▶ Siempre que se utilicen acoplamiento universales roscados (acoplamiento de garras), recomendamos que se coloquen pasadores de seguridad y se utilicen cables con válvula de seguridad para proteger la manguera ante posibles fallos de conexión de la manguera a la herramienta y entre mangueras.

▲ PELIGRO Aire a presión

Si el aire a alta presión golpea la piel, puede penetrar y causar graves lesiones corporales o incluso la muerte.

- ▶ Apague siempre el suministro de aire, drene la presión de aire de la manguera y desconecte la máquina del suministro de aire cuando no se utilice, antes de cambiar los accesorios o al hacer reparaciones.
- ▶ No dirija nunca una manguera de aire comprimido hacia sí mismo ni a otras personas. Para evitar el riesgo de lesiones, no utilice nunca una manguera de aire comprimido para limpiar el polvo, la suciedad, etc. de la ropa.

▲ ADVERTENCIA Herramienta de inserción retirada

Si el retén de la herramienta de la máquina no está en una posición bloqueada, la herramienta insertada se podría retirar de forma forzada, lo que podría causar lesiones personales.

- ▶ Nunca arranque la máquina mientras cambia la herramienta de inserción.
- ▶ Antes de cambiar la herramienta de inserción o los accesorios, pare la máquina, desconecte la alimentación y purgue la máquina activando el dispositivo de puesta en marcha y parada.
- ▶ Nunca dirija la herramienta insertada hacia usted ni hacia otras personas.
- ▶ Asegúrese de que la herramienta de inserción esté insertada completamente y que el retén de la herramienta esté en una posición bloqueada antes de arrancar la máquina.
- ▶ Compruebe la función de bloqueo tirando de la herramienta insertada hacia fuera con fuerza.

▲ ADVERTENCIA Movimiento o deslizamiento de la herramienta de inserción

Unas dimensiones incorrectas del vástago de la herramienta insertada pueden dar lugar a que ésta se pierda o resbale durante su uso. Riesgo de lesiones graves o de aplastamiento de manos y dedos.

- ▶ Compruebe que el vástago de la herramienta de inserción tenga la longitud y las dimensiones adecuadas para la máquina.
- ▶ Nunca utilice una herramienta de inserción sin un anillo.

Funcionamiento, precauciones**▲ PELIGRO Peligro de explosión**

Si una herramienta de inserción entra en contacto con explosivos o gases explosivos, se podría producir una explosión. Al trabajar con ciertos materiales y al utilizar determinados materiales en las piezas de la máquina, se pueden producir chispas y fuego. Las explosiones producirán lesiones graves o la muerte.

- ▶ Nunca utilice la máquina en un entorno explosivo.
- ▶ Nunca utilice la máquina cerca de materiales inflamables, humos o polvo.
- ▶ Asegúrese de que no haya fuentes de gas ni explosivos no detectados.

▲ ADVERTENCIA Movimientos inesperados

La herramienta insertada está expuesta a fuertes tensiones cuando se utiliza la máquina. Además puede romperse por fatiga después de un cierto volumen de uso. Si la herramienta insertada se rompe o se atasca, es posible que haya movimientos repentinos e inesperados, que pueden producir lesiones. Asimismo, si alguien pierde el equilibrio o resbala, podría sufrir lesiones.

- ▶ Asegúrese de estar siempre en una posición estable, con los pies separados a la misma distancia que la anchura de los hombros y con el peso del cuerpo equilibrado.
- ▶ Inspeccione siempre el equipo antes de usarlo. No utilice el equipo si cree que puede estar dañado.
- ▶ Compruebe que las empuñaduras estén limpias y que no tengan grasa ni aceite.
- ▶ Mantenga los pies lejos de la herramienta insertada.
- ▶ Manténgase firmemente de pie y agarre siempre la máquina con ambas manos.
- ▶ Nunca arranque la máquina cuando esté en el suelo.
- ▶ Nunca "pise" en la máquina con un pie sobre la empuñadura.
- ▶ No golpee nunca ni maltrate el equipo.
- ▶ Compruebe regularmente el desgaste de la herramienta de inserción y compruebe si hay signos de daños o grietas visibles.
- ▶ Preste atención y fíjese en lo que está haciendo.

▲ **ADVERTENCIA** Riesgos relacionados con el polvo y el humo

El polvo y los humos que se generan o dispersan al usar la máquina pueden causar dolencias o enfermedades respiratorias graves y permanentes u otras lesiones corporales (por ejemplo, silicosis y otras enfermedades pulmonares irreversibles que pueden resultar mortales, cáncer, malformaciones congénitas e inflamación de la piel).

El polvo y los humos generados por la perforación, la rotura, el martilleo, el aserrado, el esmerilado y otras actividades de construcción pueden contener sustancias consideradas por el Estado de California y otras autoridades como causantes de enfermedades respiratorias, cáncer, malformaciones congénitas y otros daños reproductivos. Algunos ejemplos de estas sustancias son:

- Sílice cristalino, cemento y otros productos de albañilería.
- Arsénico y cromo procedente del caucho tratado con sustancias químicas.
- Plomo procedente de pinturas al plomo.

El polvo y los humos del aire pueden ser invisibles a simple vista, así que no confíe en su buena vista para determinar si hay polvo o humos en el aire.

Para reducir el riesgo de exposición al polvo y a los humos, haga todo lo siguiente:

- ▶ Lleve a cabo una evaluación del riesgo específica del emplazamiento. La evaluación del riesgo debe incluir el polvo y los humos generados por el uso de la máquina y la posibilidad de alterar el polvo existente.
- ▶ Utilice controles de ingeniería adecuados para minimizar la cantidad de polvo y humos presentes en el aire y para minimizar la acumulación de polvo sobre el equipo, las superficies, la ropa y las partes del cuerpo. Algunos ejemplos de controles son: sistemas de ventilación y captación de polvo, rociadores de agua y perforaciones con inyección de agua. Controle el polvo y los humos en el origen cuando sea posible. Asegúrese de que los controles se instalen, conserven y utilicen adecuadamente.
- ▶ Lleve, conserve y utilice correctamente la protección respiratoria según indican las instrucciones del empleador y según los requisitos de las normativas de salud y seguridad en el trabajo. La protección respiratoria debe ser eficaz para el tipo de sustancia concreta (y, si procede, aprobada por la autoridad gubernamental correspondiente).
- ▶ Trabaje en una zona bien ventilada.
- ▶ Si la máquina tiene tubo de escape, diríjalo convenientemente de forma que se mueva el menor polvo posible donde éste sea abundante.
- ▶ Maneje y conserve la máquina según lo recomendado en las instrucciones de funcionamiento y seguridad.
- ▶ Seleccione, conserve y sustituya los consumibles, la herramienta de inserción y demás accesorios según lo recomendado en las instrucciones de funcionamiento y seguridad. La selección incorrecta o la falta de mantenimiento de los consumibles, de la herramienta insertada y demás accesorios puede causar un aumento innecesario del polvo o de los humos.
- ▶ Lleve prendas protectoras lavables o desechables en el lugar de trabajo; dúchese y póngase ropa limpia antes de salir del lugar de trabajo para reducir su exposición al polvo y a los humos y la de otras personas, coches, casas y otras zonas.
- ▶ Nunca coma, beba ni fume en zonas donde haya polvo o humos.
- ▶ Lávese las manos y la cara a fondo lo antes posible cuando salga de la zona de exposición, y siempre antes de comer, beber, usar productos relacionados con el tabaco o tener contacto con otras personas.
- ▶ Cumpla todas las leyes y normativas aplicables, incluidas las normativas de salud y seguridad en el trabajo.
- ▶ Participe en los programas de control del aire y en los exámenes médicos y en los programas de formación de salud y seguridad proporcionados por su empleador o por las organizaciones sindicales y conformes con las normativas y recomendaciones de salud y seguridad en el trabajo. Consulte con médicos que tengan experiencia en medicina del trabajo.
- ▶ Colabore con su empleador y con la organización sindical para reducir la exposición al polvo y a los humos en las obras y para reducir los riesgos. Se deben crear y poner en práctica programas, políticas y procedimientos eficaces de salud y seguridad, para proteger a los trabajadores y a las demás personas contra la exposición nociva al polvo y a los humos, a partir del asesoramiento de expertos de salud y seguridad. Consulte con los expertos.
- ▶ Los residuos de sustancias peligrosas de la máquina pueden constituir un riesgo. Antes de hacer el mantenimiento de la máquina, límpiela a fondo.

▲ ADVERTENCIA Proyectiles

Un fallo de la pieza de trabajo, de los accesorios o incluso de la propia máquina puede generar proyectiles a alta velocidad. Durante el funcionamiento, las astillas y otras partículas del material de trabajo pueden actuar como proyectiles y causar daños corporales al golpear al operario o a otras personas. Para reducir estos riesgos:

- ▶ Utilice un equipo de protección personal aprobado y un casco de seguridad, incluida la protección ocular contra impactos con protección lateral.
- ▶ Asegúrese de que las personas no autorizadas no entren en la zona de trabajo.
- ▶ Mantenga el lugar de trabajo libre de objetos extraños.
- ▶ Asegúrese de que la pieza de trabajo esté bien sujeta.

▲ ADVERTENCIA Riesgos relacionados con las astillas

El uso de la herramienta de inserción como herramienta manual de percusión puede hacer que salten astillas al operario y le provoquen lesiones personales.

- ▶ Nunca utilice una herramienta de inserción como herramienta manual de percusión. Está diseñada y tratada térmicamente para su uso específico en una máquina.

▲ ADVERTENCIA Peligros de deslizamiento, desconexión y caída

Hay riesgo de deslizamiento, desconexión o caída, por ejemplo desconexión de las mangueras u otros objetos. El deslizamiento, la desconexión y la caída pueden provocar lesiones. Para reducir este riesgo:

- ▶ Asegúrese siempre de que no haya mangueras ni otros objetos que obstaculicen su paso o el de otras personas.
- ▶ Asegúrese de estar siempre en una posición estable, con los pies separados a la misma distancia que la anchura de los hombros, y con el peso del cuerpo equilibrado.

▲ ADVERTENCIA Riesgos relativos al movimiento

Al usar la máquina para realizar actividades relacionadas con el trabajo, puede experimentar malestar en las manos, los brazos, los hombros, el cuello y otras partes del cuerpo.

- ▶ Adopte una postura cómoda manteniendo el pie firme y evitando extrañas posturas en desequilibrio.
- ▶ El cambio de postura durante las tareas prolongadas puede ayudar a evitar el malestar y la fatiga.
- ▶ En caso de tener síntomas continuos o periódicos, consulte a un profesional de la salud cualificado.

▲ ADVERTENCIA Riesgos relacionados con las vibraciones

El uso normal y correcto de la máquina expone al operario a las vibraciones. La exposición regular y frecuente a las vibraciones puede ocasionar lesiones o trastornos (o contribuir a provocarlos o agravarlos) en dedos, manos, muñecas, brazos, hombros y/o nervios y riego sanguíneo u otras partes del cuerpo del operario, incluidas lesiones o trastornos permanentes y/o debilitantes que pueden desarrollarse gradualmente durante periodos de semanas, meses o años. Estas lesiones o trastornos pueden consistir en el deterioro del sistema circulatorio sanguíneo, del sistema nervioso, de las articulaciones y otros daños en distintas zonas del cuerpo.

Si en algún momento siente entumecimiento, malestar continuo periódico, ardor, agarrotamiento, dolor punzante, hormigueo, dolor, torpeza, débil agarre en las manos, piel pálida u otros síntomas, tanto si está usando la máquina como si no, deje de usarla, avise a su empleador y acuda al médico. El uso continuado de la máquina tras la aparición de alguno de estos síntomas puede hacer que aumente el riesgo de que los síntomas se agraven o se hagan permanentes.

Maneje y conserve la máquina según lo recomendado en estas instrucciones, con el fin de evitar un aumento innecesario de las vibraciones.

Las siguientes indicaciones pueden ayudar a reducir la exposición a las vibraciones para el operario:

- ▶ Deje que sea la máquina la que haga el trabajo. Agárrela lo mínimo, para controlarla correctamente y que su uso sea seguro.
- ▶ Si la máquina tiene empuñaduras de absorción de vibraciones, manténgalas en posición central, evitando presionarlas en los topes finales.
- ▶ Cuando se active el mecanismo de percusión, el único contacto corporal con la máquina que se debe tener es el de las manos en la empuñadura o las empuñaduras. Evite cualquier otro contacto, como por ejemplo descansar una parte del cuerpo en la máquina o apoyarse en ella para aumentar la fuerza de avance. También es importante no mantener el dispositivo de puesta en marcha y parada encendido al mismo tiempo que se extrae la herramienta de la superficie de trabajo rota.
- ▶ Asegúrese de que la herramienta insertada se encuentra en buen estado (incluso el afilado, si se trata de una herramienta de corte), no está gastada y es del tamaño adecuado. Las herramientas de inserción que no se encuentran en buen estado, están gastadas o no son del tamaño adecuado alargan el tiempo de realización de una tarea (y de exposición a las vibraciones) y pueden contribuir a la exposición a niveles más altos de vibración.

- ▶ Deje de trabajar inmediatamente, si de repente la máquina empieza a vibrar violentamente. Antes de continuar trabajando, averigüe y elimine la causa del incremento de las vibraciones.
- ▶ Nunca agarre, sostenga ni toque la herramienta de trabajo cuando utilice la máquina.
- ▶ Participe en las inspecciones o los controles de salud, en los exámenes médicos y en los programas de formación ofrecidos por su empleador y cuando la ley así lo exija.
- ▶ Cuando trabaje en climas fríos lleve ropa de abrigo y mantenga las manos calientes y secas.
- ▶ El aire del escape es muy frío y no debe contactar con el operario. Mantenga siempre el aire del escape alejado de las manos y del cuerpo.

Consulte la “Declaración de ruido y vibraciones” de la máquina, incluidos los valores de vibración declarados. Puede encontrar esta información al final de las instrucciones de seguridad y de funcionamiento.

- ◆ Asegúrese de satisfacer la presión atmosférica recomendada al utilizar la máquina. Una presión atmosférica más alta o más baja puede producir niveles más altos de vibración.

▲ PELIGRO Riesgos relacionados con la electricidad

La máquina no está aislada eléctricamente. Si la máquina entra en contacto con la electricidad, podría provocar lesiones graves o la muerte.

- ▶ No utilice nunca la máquina cerca de un cable eléctrico ni otra fuente de electricidad.
- ▶ Compruebe que no haya cables u otras fuentes de electricidad ocultos en el área de trabajo.

▲ ADVERTENCIA Peligros relacionados con objetos ocultos

Durante el funcionamiento, los cables y tubos ocultos constituyen un peligro, ya que pueden ocasionar lesiones graves o la muerte.

- ▶ Compruebe la composición del material antes del funcionamiento.
- ▶ Fíjese bien que no haya cables ni tubos ocultos, como líneas de electricidad, teléfono, agua, gas y aguas residuales.
- ▶ Si la herramienta insertada parece haber topado con un objeto oculto, apague la máquina de inmediato.
- ▶ Compruebe que no haya ningún peligro antes de continuar.

▲ ADVERTENCIA Encendido involuntario

El encendido involuntario de la máquina puede producir lesiones.

- ▶ Mantenga las manos alejadas del dispositivo de puesta en marcha y parada hasta que esté listo para arrancar la máquina.
- ▶ Sepa cómo apagar la máquina en caso de producirse una emergencia.
- ▶ Libere el dispositivo de puesta en marcha y parada inmediatamente siempre que se interrumpa el suministro eléctrico.
- ▶ Cuando inserte o extraiga la herramienta de inserción, interrumpa el suministro de aire, purgue la máquina presionando el dispositivo de puesta en marcha y parada y desconecte la máquina de la unidad de potencia.

▲ ADVERTENCIA Riesgos relacionados con el ruido

Los altos niveles de ruido pueden producir pérdida de audición permanente e incapacitante y otros problemas tales como acúfenos (vibración, zumbido, silbido o ronroneo en los oídos). Para reducir los riesgos y evitar un aumento innecesario de los niveles de ruido:

- ▶ Es esencial hacer la evaluación del riesgo de estos peligros y la puesta en práctica de los controles adecuados.
- ▶ Maneje y conserve la máquina según lo recomendado en estas instrucciones.
- ▶ Seleccione, conserve y sustituya la herramienta de inserción según lo recomendado en estas instrucciones.
- ▶ Si la máquina tiene silenciador, compruebe que esté en su sitio y en buen estado de funcionamiento.
- ▶ Utilice siempre protección para los oídos.
- ▶ Utilice material de amortiguación para evitar que las piezas de trabajo "vibren".

Mantenimiento, precauciones**▲ ADVERTENCIA Modificación de la máquina**

Cualquier modificación de la máquina puede provocar daños corporales a usted y a otras personas.

- ▶ Nunca modifique la máquina. Una máquina modificada no estará cubierta por la garantía ni por la responsabilidad del producto.
- ▶ Utilice siempre piezas, herramientas de inserción y accesorios originales aprobados por Atlas Copco.
- ▶ Cambie las piezas dañadas inmediatamente.
- ▶ Sustituya los componentes gastados con la debida antelación.

▲ ATENCIÓN Herramienta de inserción caliente

La punta de la herramienta de inserción puede calentarse con el uso. Si se toca, puede provocar quemaduras y cortes.

- ▶ Nunca toque una herramienta de inserción caliente o afilada.
- ▶ Espere a que la herramienta de inserción se haya enfriado antes de realizar los trabajos de mantenimiento.

▲ ADVERTENCIA Peligros de la herramienta de inserción

La conexión accidental del dispositivo de puesta en marcha y parada durante el mantenimiento o la instalación puede causar lesiones graves cuando la unidad de potencia está conectada.

- ▶ Nunca revise, limpie, instale ni retire la herramienta de inserción mientras la unidad de potencia esté conectada.

Almacenamiento, precauciones

- ◆ Guarde la máquina y las herramientas en un lugar seguro, fuera del alcance de los niños y bajo llave.

Visión general

Para reducir el riesgo de que usted u otras personas padezcan lesiones graves o la muerte, lea las Instrucciones de seguridad y funcionamiento antes de instalar, usar, reparar o cambiar la máquina o de realizar su mantenimiento.

Diseño y funcionamiento

Estas instrucciones son válidas para la herramienta TEX 07PE.

El TEX 07PE es una máquina con empuñadura D amortiguadora de vibraciones, diseñada para demolición ligera y trabajo de fábrica. La máquina puede utilizarse tanto en posición horizontal como vertical. No está permitido ningún otro uso.

Para elegir la herramienta de trabajo adecuada, consulte la lista de piezas de repuesto.

Elección del rompedor neumático correcto para una tarea determinada

Es importante elegir el tamaño correcto de rompedor neumático para el trabajo que va a realizarse.

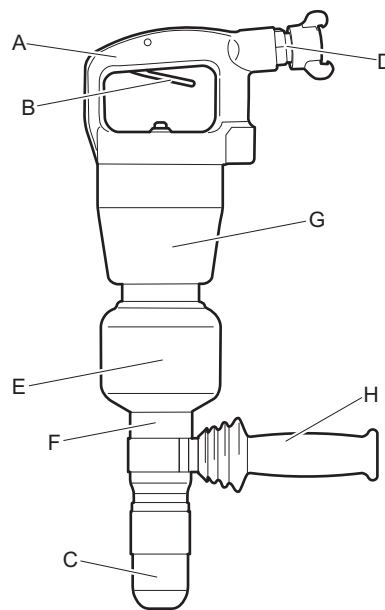
Un rompedor neumático demasiado pequeño supone que la tarea tardará más tiempo en realizarse.

Un rompedor demasiado grande implica que debe recolocarse con frecuencia, lo que resulta innecesariamente cansado para el operario.

Una regla sencilla para elegir el tamaño correcto de martillo neumático es que un trozo de tamaño normal de material roto se debe retirar de la pieza de trabajo a los 5-10 segundos de funcionamiento.

- Si se tarda menos de 5 segundos, debe seleccionar un rompedor neumático más pequeño.
- Si se tarda más de 10 segundos, debe seleccionarse un rompedor neumático más grande.

Piezas principales

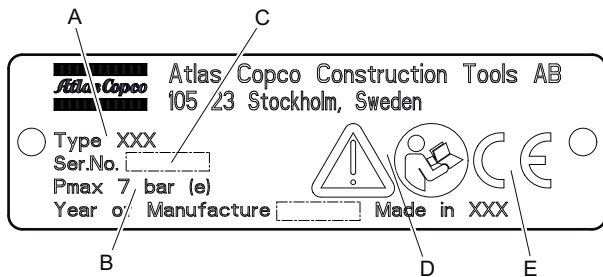


- A. Empuñadura
- B. Gatillo
- C. Retenedor de la herramienta
- D. Entrada de aire
- E. Silenciador
- F. Cilindro
- G. Carcasa
- H. Empuñadura frontal (opcional)

Etiquetas

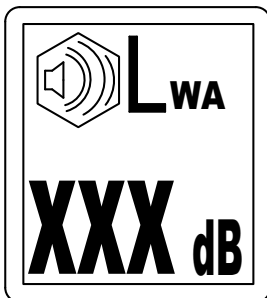
La máquina incluye etiquetas que contienen información importante sobre la seguridad personal y el mantenimiento de la máquina. Las etiquetas deberán estar en buen estado para que sean fáciles de leer. Se pueden pedir nuevas etiquetas en la lista de piezas de repuesto.

Placa de datos



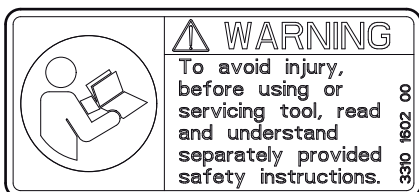
- A. Tipo de máquina
- B. Presión de aire comprimido máxima permitida
- C. Número de serie
- D. El símbolo de atención unido al símbolo del libro significa que el usuario debe leer las instrucciones de seguridad y de funcionamiento antes de usar la máquina por primera vez.
- E. El símbolo CE indica que la máquina tiene la aprobación de la CE. Consulte la declaración de la CE que se suministra con la máquina para obtener más información. Si el símbolo CE no está, significa que la máquina no tiene la aprobación de la CE.

Etiqueta de nivel de ruido



La etiqueta indica el nivel de ruido garantizado correspondiente a la directiva europea 2000/14/CE. Vea "Datos técnicos" para saber el nivel de ruido adecuado.

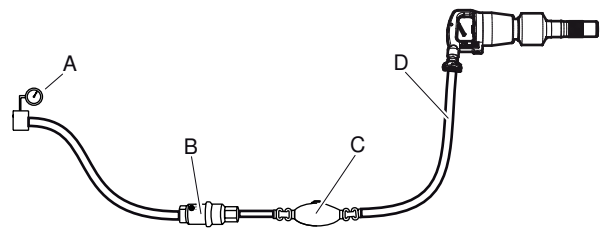
Etiqueta de seguridad



Para evitar lesiones, antes de usar o de reparar la herramienta, lea y comprenda las instrucciones de seguridad proporcionadas por separado.

Instalación

Mangueras y conexiones



- A. Fuente de aire comprimido
 - B. Separador de agua (opcional)
 - C. Lubricador (opcional)
 - D. Manguera de aire comprimido de 3 m (10 ft) como máximo entre el lubricador y la máquina.
- ◆ Compruebe que esté utilizando la presión operativa correcta recomendada: 6 bares (e) (87 psi).
 - ◆ No debe sobrepasarse la presión máxima de aire admisible, 7 bares (e) (102 psi).
 - ◆ Quite las impurezas de la manguera de aire comprimido antes de conectarla a la máquina.
 - ◆ Seleccione las dimensiones correctas y la longitud de la manguera de aire comprimido. Para longitudes de manguera de hasta 30 m (100 ft), debe utilizarse una manguera con un diámetro interno mínimo de 19 mm (3/4 in.). Si la longitud de la manguera es de 30 a 100 m (100 a 330 ft), debe utilizarse una manguera con un diámetro interno mínimo de 25 mm (1 in.).

Métodos para evitar la congelación

Puede acumularse hielo en el silenciador cuando la temperatura ambiente es de 0–10°C (32–50°F) y la humedad relativa es alta.

La máquina se ha diseñado para evitar la formación de hielo en el silenciador. A pesar de eso, en condiciones extremas se puede formar hielo en el silenciador.

Tome las siguientes medidas para neutralizar el riesgo de formación de hielo:

- ◆ Utilice el lubricante Breaker and hammer AIR-OIL de Atlas Copco. Breaker and hammer AIR-OIL neutraliza la congelación.
- ◆ Utilice un separador de agua.

Conexión de un separador de agua

La longitud de la manguera de aire entre el compresor y el separador de agua debe ser lo suficiente como para que el vapor de agua se enfríe y se condense en la manguera antes de alcanzar el separador de agua.

Si la temperatura ambiente está por debajo de 0 °C (32 °F) el tubo flexible debe ser lo suficientemente corto para impedir que se congele el agua antes de llegar al separador de agua.

Lubricación

El lubricante es importante para el funcionamiento de la máquina y tiene una gran repercusión en la extensión de la vida útil de la misma. Si no lo lleva, conecte un lubricador por separado a la manguera de aire. Para garantizar una buena lubricación, la longitud de la manguera de aire entre el lubricador separado y la máquina neumática no debe superar los 3 metros.

Utilice un lubricante sintético como AIR-OIL de Atlas Copco para rompedor y martillo o un aceite mineral con las propiedades recomendadas en la siguiente tabla.

Lubricante	Margen de temperatura (°C)	Viscosidad
AIR-OIL para rompedor y martillo	De -30 a +50	-
Aceite mineral/aceite sintético	De +15 a +50	ISO VG 46-68
Aceite mineral/aceite sintético	De -20 a +15	ISO VG 22-32

Herramienta de inserción

⚠ ATENCIÓN Herramienta de inserción caliente

La punta de la herramienta de inserción puede calentarse con el uso. Si se toca, puede provocar quemaduras y cortes.

- ▶ Nunca toque una herramienta de inserción caliente o afilada.
- ▶ Espere a que la herramienta de inserción se haya enfriado antes de realizar los trabajos de mantenimiento.

AVISO No enfríe nunca una herramienta de inserción caliente en agua, ya que puede producirle fragilidad y fallos prematuros.

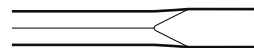
Selección de la herramienta de inserción adecuada

Seleccionar la herramienta de inserción adecuada es una condición previa para que la máquina funcione correctamente. Es importante elegir herramientas de inserción de alta calidad para evitar que la máquina sufra daños innecesarios.

El uso de herramientas de inserción incorrectas puede inutilizar la máquina.

Las herramientas de inserción recomendadas se incluyen en la lista de piezas de repuesto de la máquina.

Cinzel estrecho



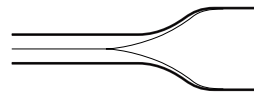
El cinzel estrecho se utiliza para la demolición y el trabajo de corte del hormigón y otros tipos de material duro.

Cinzel de punta



El cinzel de punta debe usarse sólo para perforar orificios en hormigón y otros tipos de material duro.

Cinzel de hoja ancha

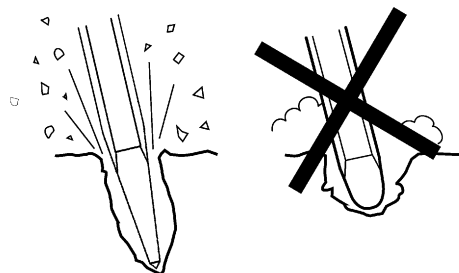


El cinzel de hoja ancha se utiliza con materiales blandos, tales como asfalto y tierra congelada.

⚠ ADVERTENCIA Riesgos relativos a las vibraciones

Si se utilizan herramientas de inserción que no cumplan los criterios siguientes, se tardará más en terminar la tarea y pueden producirse mayores niveles de exposición a las vibraciones. Si utiliza una herramienta desgastada, aumentará también el tiempo de trabajo.

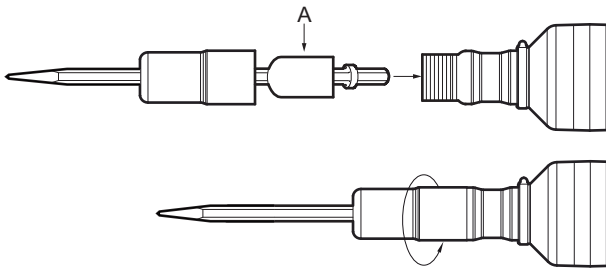
- ▶ Asegúrese de que la herramienta insertada se encuentra en buen estado, no está gastada y es del tamaño adecuado.
- ▶ Utilice siempre una herramienta afilada para trabajar de manera eficiente.



Colocación y extracción de la herramienta de inserción

Cuando coloque o extraiga la herramienta de inserción debe seguir las siguientes instrucciones:

- ◆ Para evitar un arranque accidental: interrumpa el suministro de aire y desconecte la máquina de la unidad de potencia. Purgue la máquina pulsando el dispositivo de puesta en marcha y parada.
- ◆ Antes de insertar una herramienta, lubrique el vástago de la herramienta con grasa.
- ◆ Cierre el retén de la herramienta y compruebe la función de bloqueo tirando bruscamente de la herramienta insertada hacia fuera.



1. Coloque el tapón sobre el cuerpo hexagonal de la herramienta de inserción.
2. Coloque el amortiguador (A) sobre el vástago de la herramienta de inserción.
3. Inserte la herramienta de inserción en el cilindro y atornille el tapón en el cilindro hasta que quede bloqueado.

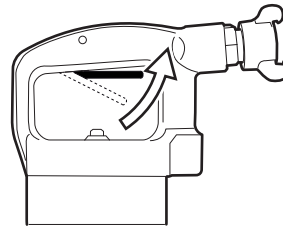
Funcionamiento

▲ ADVERTENCIA Encendido involuntario

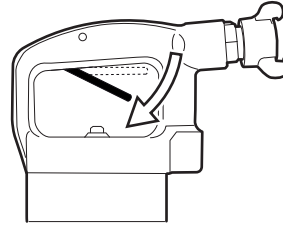
El encendido involuntario de la máquina puede producir lesiones.

- ▶ Mantenga las manos alejadas del dispositivo de puesta en marcha y parada hasta que esté listo para arrancar la máquina.
- ▶ Sepa cómo apagar la máquina en caso de producirse una emergencia.
- ▶ Detenga inmediatamente la máquina en caso de interrupción de la alimentación.

Puesta en marcha y parada



Arranque la máquina apretando el arranque mientras sostiene firmemente la empuñadura.

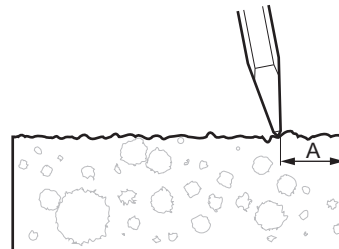


Pare la máquina soltando el gatillo. El gatillo regresa automáticamente a la posición de parada.

En funcionamiento

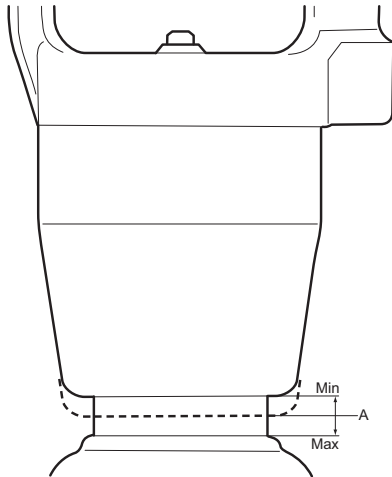
Inicio del corte

- ◆ Adquiera una posición estable, con los pies alejados de la herramienta insertada.
- ◆ Presione la máquina contra la superficie de trabajo antes de empezar.
- ◆ Empezee a poner aro a una distancia del borde que permita a la máquina romper el material sin hacer palanca.
- ◆ No intente nunca romper trozos muy grandes. Ajuste la distancia de rotura (A) de tal forma que no se atasque la herramienta insertada.



Roturas

- ◆ Deje que la máquina haga el trabajo y no haga demasiada fuerza. La empuñadura amortiguadora de vibraciones no se debe presionar nunca del todo hasta el final de la base.
- ◆ Para las máquinas neumáticas con empuñaduras amortiguadoras de vibraciones: La fuerza de avance debe ajustarse de forma que se presione la empuñadura "a medio camino" de su recorrido. En esta posición se alcanza el mejor efecto de amortiguación de vibraciones y de rotura.



- ◆ Evite trabajar con materiales extremadamente duros, por ejemplo granito y hierro de refuerzo (varilla), que podrían producir vibraciones importantes.
- ◆ Debe evitarse el funcionamiento en vacío, sin la herramienta de inserción o con la máquina levantada.
- ◆ Cuando la máquina está levantada, el dispositivo de puesta en marcha y parada no debe activarse.
- ◆ Compruebe regularmente que la máquina esté bien lubricada.

En los descansos

- ◆ Durante todos los descansos debe colocar la máquina de forma que no haya riesgo de que se ponga en marcha involuntariamente. Asegúrese de colocar la máquina en el suelo, de forma que no se caiga.
- ◆ En caso de hacer un descanso más largo o a la hora de irse de la obra: Apague la alimentación y, a continuación, purgue la máquina activando el dispositivo de puesta en marcha y parada.

Mantenimiento

El mantenimiento regular es un requisito esencial para el uso seguro y eficaz de la máquina. Siga las instrucciones de mantenimiento detenidamente.

- ◆ Antes de iniciar el mantenimiento en la máquina, límpiela para evitar la exposición a sustancias peligrosas. Consulte "Peligros del polvo y del humo"
- ◆ Utilice sólo piezas originales. Cualquier daño o defecto originado por la utilización de piezas no autorizadas no estará cubierto por la garantía ni por la responsabilidad del producto.
- ◆ Al limpiar las piezas mecánicas con un disolvente, asegúrese de cumplir la normativa de salud y seguridad en el trabajo y de que haya la suficiente ventilación.
- ◆ Para realizar una reparación más completa de la máquina, acuda al taller autorizado más cercano.
- ◆ Después de cada reparación, compruebe que el nivel de vibraciones de la máquina sea el normal. Si no lo es, póngase en contacto con el taller autorizado más cercano.

A diario

Antes de realizar cualquier tarea de mantenimiento o cambiar la herramienta de inserción en las máquinas neumáticas, desactive siempre el suministro de aire y purgue la máquina pulsando el dispositivo de puesta en marcha y parada. Luego desconecte la manguera de aire de la máquina.

- ◆ Limpie e inspeccione la máquina y sus funciones cada día antes de empezar a trabajar.
- ◆ Compruebe que el retén de la herramienta no esté desgastado y que funcione.
- ◆ Realice una inspección general para determinar si hay fugas o desperfectos.
- ◆ Compruebe que la boquilla de admisión de aire esté apretada y que el acoplamiento de garras no esté dañado.
- ◆ Para mantener los valores especificados de vibración, compruebe siempre lo siguiente:
Una holgura demasiado grande entre el vástago de la herramienta de inserción y el casquillo del cincel producirá vibraciones mayores. Para evitar la exposición a excesivas vibraciones, compruebe a diario que el casquillo guía no esté desgastado.

- ◆ Si la máquina tiene empuñadura o empuñaduras amortiguadoras de vibraciones, compruebe que se mueven libremente (de arriba abajo) y que no se atascan.
- ◆ Cambie las piezas dañadas inmediatamente.
- ◆ Sustituya los componentes gastados con la debida antelación.
- ◆ Asegúrese de que todos los equipos fijados y relacionados, tales como mangueras, separadores de agua y lubricadores estén debidamente mantenidos.

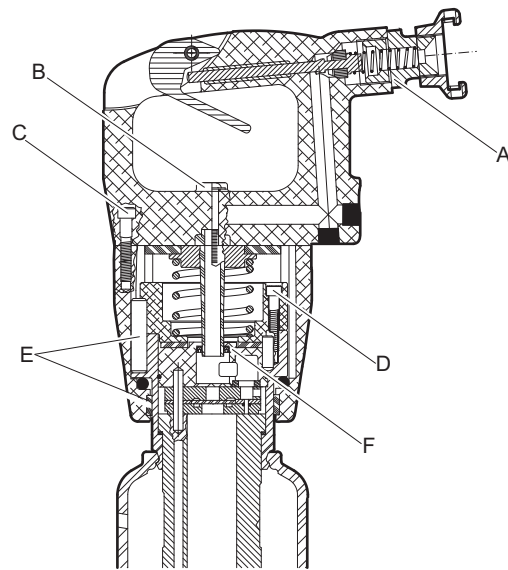
Mantenimiento periódico

Tras cada período de uso de aproximadamente 100 horas de impacto o tres veces al año, la máquina debe desmontarse y todas las piezas deben limpiarse y comprobarse. Este trabajo debe realizarlo personal autorizado y cualificado para ello.

Como pauta, para mantener un alto rendimiento, las piezas de la tabla no deben presentar un desgaste mayor de las dimensiones que se proporcionan. Observe que el TEX 07PE no incluye amortiguación de aire del pistón. Ello supone que la capacidad de amortiguación no puede utilizarse para determinar el grado de desgaste del pistón y el cilindro.

Pieza	Diámetro interior máx. (mm)	Diámetro exterior mín. (mm)
Cilindro	28,63	-
Pistón	-	28,50

Instrucciones de montaje



- A. Par: 88–95 Nm, utilizar Loctite® 243™ (Loctite es una marca registrada de Henkel Corporation. 243 es una marca comercial de Henkel Corporation.)
- B. Par: 15–17 Nm, UNF 1/4" x 44 (1-3/4")
- C. Par: 15–17 Nm, UNC 1/4" x 32 (1-1/4")
- D. Par: 17 Nm, utilizar Loctite® 243™, M6 x 40 - 12.9
- E. No lubrique los rodillos de soporte, aro de protección o superficies de contacto correspondientes.
- F. Extraiga la junta tórica del cierre antes del montaje. La junta tórica es únicamente un soporte para garantizar que el cierre mantiene la forma correcta hasta montarse.

Localización y resolución de problemas

Si la máquina neumática no se pone en marcha, o genera una potencia baja o un rendimiento irregular, compruebe los siguientes puntos.

- ◆ Compruebe que la herramienta de inserción utilizada tenga las dimensiones de vástago correctas.
- ◆ Compruebe que la máquina neumática tenga la cantidad correcta de lubricante. Una lubricación excesiva puede provocar problemas durante la puesta en marcha, una potencia baja o un rendimiento irregular.
- ◆ Compruebe que el sistema de aire comprimido abastezca a la máquina con suficiente presión de aire para generar una potencia plena.
- ◆ Compruebe que las dimensiones y la longitud de la manguera de aire sigan las recomendaciones. Consulte la sección "Instalación".
- ◆ Si hay riesgo de congelación, compruebe que las salidas de escape de la máquina no estén bloqueadas.
- ◆ Si el funcionamiento de la máquina todavía no es satisfactorio tras seguir el procedimiento anterior, acuda a un taller de reparación autorizado.

Almacenaje

- Antes del almacenamiento de la máquina, límpiela para evitar la existencia de sustancias peligrosas. Consulte "Peligros del polvo y del humo"
- Vierta unos ½ oz (5 cl) de aceite directamente en de la boquilla de entrada de aire, conecte la máquina al suministro de aire comprimido y arránquela durante unos segundos.
- Guarde siempre la máquina en un lugar seco.

Desechar

Una máquina usada se debe manipular y desechar de tal forma que se pueda reciclar la mayor cantidad posible del material, haya la menor influencia negativa posible en el medio ambiente y se cumplan las restricciones municipales.

Especificaciones técnicas

Datos de la máquina

Tipo	Dimensiones del vástago mm	Peso kg	Longitud mm	Frec. impacto Hz	Consumo de aire l/s
TEX 07PE	H19 x 50	8,7	525	29,5	17
TEX 07PE, con empuñadura lateral frontal	H19 x 50	9,0	525	29,5	17

Declaración de ruido y vibraciones

Nivel de potencia acústica garantizado **L_w** según EN ISO 3744, de conformidad con la directiva 2000/14/CE.
Nivel de presión acústica **L_p** según EN ISO 11203.

Valor de vibraciones **A** e incertidumbre **B** determinado según EN ISO 20643. Consulte en la tabla "Datos de ruido y vibraciones" los valores A, B, etc.

Estos valores declarados se obtuvieron mediante pruebas de laboratorio, de acuerdo con la directiva o las normas indicadas, y son adecuados para la comparación con los valores declarados de otras herramientas probadas de acuerdo con dicha directiva o dichas normas. Estos valores declarados no son adecuados para su uso en evaluaciones de riesgo, por lo que los valores medidos en los lugares de trabajo individuales pueden resultar superiores. Los valores de exposición reales y el riesgo de sufrir daños experimentados por cada usuario son únicos y dependen del modo en que éste trabaja, el material con el que utiliza la máquina, así como el tiempo de exposición y el estado físico del usuario y el estado de la máquina.

Nuestra empresa, Atlas Copco Construction Tools AB, no se hace responsable de las consecuencias de utilizar los valores declarados en lugar de valores que reflejen la exposición real, en una evaluación de riesgos individual en una situación del lugar de trabajo sobre la que no tenemos control.

Esta herramienta puede causar el síndrome de vibraciones mano-brazo si no se usa adecuadamente. En la dirección <http://www.humanvibration.com/humanvibration/EU/VIBGUIDE.html> puede ver una guía de la UE sobre el control de las vibraciones mano-brazo

Recomendamos un programa de control de salud para detectar los primeros síntomas que puedan estar relacionados con la exposición a las vibraciones, de forma que puedan modificarse los procedimientos de gestión para prevenir las discapacidades futuras.

Información adicional sobre las vibraciones

Esta información se proporciona como ayuda para hacer los cálculos aproximados del valor de la vibración en el lugar de trabajo.

La emisión de vibraciones varía mucho según la tarea y la técnica del operario. El valor de vibraciones declarado se refiere a la empuñadura principal o empuñaduras principales, y se pueden producir niveles mucho más altos de vibración en otras posiciones de la mano. Opinamos que el uso normal previsto de la herramienta produce normalmente emisiones de vibraciones en el intervalo de C^{m/s^2} y E^{m/s^2} (valores totales de la vibración, según se definen en la EN ISO 5349-1), dependiendo de los detalles de la tarea, pero en algunas aplicaciones se pueden producir emisiones fuera de este intervalo.

Una cifra de D^{m/s^2} y F^{m/s^2} es probablemente un promedio útil del valor de emisiones a la hora de, por ejemplo, hacer un cálculo aproximado de las posibles exposiciones medias de los usuarios que realizan una amplia gama de tareas dentro del uso previsto de la herramienta. Señalamos que la aplicación de la herramienta a una única tarea especializada produce una emisión media distinta y en estos casos es muy recomendable realizar una evaluación específica de la emisión de vibraciones.

Datos de ruido y vibraciones

Tipo	Ruido		Vibración					
	Presión acústica	Potencia acústica	Valores de tres ejes					
	Valores declarados		Valores declarados			Información adicional sobre las vibraciones		
	EN ISO 11203	2000/14/CE	EN ISO 20643			Hormigón	Ladrillo	
	Lp r=1m dB(A) rel 20 μPa	Lw garantizado dB(A) rel 1 pW	A m/s ² valor	B m/s ² amplitud	C m/s ² rango	D m/s ² promedio	E m/s ² rango	F m/s ² promedio
TEX 07PE Sólo con empuñadura D	87	104	12,4	1,7	9,0-11,9	10,5	7,9-10,0	9,0
TEX 07PE Con empuñadura D y empuñadura lateral frontal	87	104	10,5	1,5	7,5-11,2	9,6	9,6-12,2	10,6

Declaración CE de conformidad

Declaración CE de conformidad (Directiva 2006/42/CE)

Atlas Copco Construction Tools AB declara por la presente que las máquinas detalladas a continuación se ajustan a las disposiciones de las Directivas 2006/42/CE (Directiva sobre máquinas) y 2000/14/CE (Directiva sobre el ruido), y a las normas armonizadas mencionadas más abajo.

Martillos picadores neumáticos manuales	Nivel de potencia acústica garantizado [dB(A)]	Nivel de potencia acústica medido [dB(A)]	Pmax (bares)
TEX 07PE	104	98	7

Se han aplicado las siguientes normas armonizadas:

- ◆ EN ISO 11148-4

Se han aplicado también las siguientes otras normas:

- ◆ Lloyds Register Quality Assurance, NoBo no.0088

Representante autorizado para la documentación técnica:

Per Forsberg

Atlas Copco Construction Tools AB

Dragonvägen 2

Kalmar

Vicepresidente de diseño y desarrollo:

Erik Sigfridsson

Fabricante:

Atlas Copco Construction Tools AB

105 23 Stockholm

Sweden

Lugar y fecha:

Kalmar, 2012-06-30

PORTUGUÊS

Índice

Introdução.....	89
Acerca das instruções de segurança e operação.....	89
Instruções de Segurança.....	90
Palavras de avisos de segurança.....	90
Precauções e competências pessoais.....	90
Equipamento pessoal de protecção.....	90
Drogas, álcool ou medicamentos.....	90
Instalação, precauções.....	90
Operação, precauções.....	91
Manutenção, precauções.....	95
Armazenamento, precauções.....	95
Visão geral.....	96
Concepção e função.....	96
Escolher o martelo pneumático correcto para uma tarefa.....	96
Peças principais.....	96
Autocolantes.....	96
Placa de dados.....	97
Autocolante de nível de ruído.....	97
Autocolante de segurança.....	97
Instalação.....	97
Mangueiras e ligações.....	97
Métodos para evitar o congelamento.....	97
Conectar o separador de água.....	98
Lubrificação.....	98
Ferramenta de inserção.....	98
Escolher a ferramenta de inserção correcta.....	98
Escopro estreito.....	98
Escopro de bico.....	98
Escopro de lâmina larga.....	98
Encaixar e remover a ferramenta de inserção.....	98
Operação.....	99
Arranque e paragem.....	99
Funcionamento.....	99
Iniciar um corte.....	99
Demolir.....	100
Ao fazer uma pausa.....	100
Manutenção.....	100
Diariamente.....	100
Manutenção periódica.....	101
Instruções de montagem.....	101
Diagnóstico e reparação de avarias.....	101
Armazenamento.....	102
Abate.....	102
Dados técnicos.....	103
Dados da máquina.....	103
Declaração de ruído e vibração.....	103
Informação adicional sobre vibração.....	103

Dados sobre o ruído e vibrações.....	104
Declaração de Conformidade da CE.....	105
Declaração de Conformidade da CE (Directiva da CE 2006/42/CE).....	105

Introdução

Obrigado por escolher um produto da Atlas Copco. Desde 1873 que estamos empenhados em encontrar novas e melhores maneiras para ir ao encontro das necessidades dos nossos clientes. Ao longo dos anos, temos vindo a desenvolver designs de produtos inovadores e ergonómicos que ajudaram os clientes a melhorarem e a racionalizarem o seu trabalho diariamente.

A Atlas Copco tem uma forte rede global de vendas e assistência, que consiste em centros de apoio ao cliente e aos distribuidores espalhados por todo o mundo. Os nossos peritos são profissionais devidamente formados, com um extenso conhecimento dos produtos e experiência na aplicação. Oferecemos, em todos os cantos do mundo, suporte aos produtos e experiência técnica para assegurar que os nossos clientes possam sempre trabalhar com a máxima eficiência.

Para saber mais, visite: www.atlascopco.com

Atlas Copco Construction Tools AB

105 23 Stockholm

Sweden

Acerca das instruções de segurança e operação

O objectivo das instruções é fornecer-lhe todas as informações de como utilizar o martelo pneumático de uma forma eficiente e segura. As instruções dar-lhe-ão todo o aconselhamento e orientações necessárias de como realizar a manutenção regular do seu martelo pneumático.

Antes de utilizar o martelo pneumático pela primeira vez leia, cuidadosamente, estas instruções.

Instruções de Segurança

Para reduzir o risco de ferimentos graves ou morte, para si próprio ou para outros, leia e compreenda as instruções de Segurança e operação antes de instalar, operar, reparar, fazer manutenção ou mudar acessórios na máquina.

Afixe estas instruções de Segurança e operação nos locais de trabalho, forneça cópias aos empregados, e certifique-se de que todos lêem as instruções de Segurança e operação antes de operar a máquina, ou de prestar assistência à máquina.

Para além disso, o operador ou o empregador do operador deve avaliar os riscos específicos que podem estar presentes em resultado de cada utilização da máquina.

Palavras de avisos de segurança

As palavras de avisos de segurança Perigo, Atenção e Cuidado têm os seguintes significados:

PERIGO	Indica uma situação perigosa, a qual, se não for evitada, irá provocar a morte ou ferimentos graves.
ATENÇÃO	Indica uma situação perigosa, a qual, se não for evitada, poderá provocar a morte ou ferimentos graves.
CUIDADO	Indica uma situação perigosa, a qual, se não for evitada, poderá provocar ferimentos ligeiros ou moderados.

Precauções e competências pessoais

A operação ou manutenção da máquina só pode ser feita por pessoal com as habilitações e a formação necessárias. Este pessoal tem que ser fisicamente capaz de manusear o volume, o peso e a potência da ferramenta. Faça sempre uso do seu bom senso e da sua capacidade de avaliação das situações.

Equipamento pessoal de protecção

Use sempre equipamento de protecção aprovado. Os operadores, bem como todas as outras pessoas que se encontrem na zona de trabalho, devem usar equipamento de protecção, incluindo, no mínimo:

- Capacete protector
- Protecção auricular
- Protecção para os olhos, resistente ao impacto e com protecção lateral

- Protecção respiratória, quando necessário
- Luvas protectoras
- Botas protectoras adequadas
- Fato de macaco de trabalho adequado, ou vestuário semelhante (não roupas largas) que cubra os braços e as pernas.

Drogas, álcool ou medicamentos

▲ ATENÇÃO Drogas, álcool ou medicamentos

Drogas, álcool ou medicamentos podem reduzir a sua capacidade de avaliação e de concentração. Reacções lentas e avaliações incorrectas podem provocar acidentes graves ou morte.

- ▶ Nunca use a máquina quando estiver cansado ou se tiver tomado drogas, álcool ou medicamentos.
- ▶ Ninguém que tenha tomado drogas, álcool ou medicamentos pode operar a máquina.

Instalação, precauções

▲ PERIGO Chicotada das mangueiras de ar

Um mangueira de ar comprimido que se solte pode causar ferimentos pessoais ou morte. Para reduzir este risco:

- ▶ Certifique-se de que as mangueiras de ar comprimido e as ligações não estão danificadas, e substitua-as se necessário.
- ▶ Certifique-se de que as mangueiras de ar comprimido e as ligações estão bem presas.
- ▶ Nunca transporte uma máquina pneumática segurando-a pela mangueira de ar.
- ▶ Nunca tente tirar uma mangueira de ar comprimido que esteja pressurizada. Primeiro, deve desligar a alimentação de ar comprimido directamente no compressor e, em seguida, deve purgar a máquina, activando o dispositivo de activação e desactivação.
- ▶ Não use ligações de desacoplamento rápido à entrada da ferramenta. Use peças de encaixe roscadas para mangueira, em aço endurecido (ou num material com uma resistência ao choque equivalente).
- ▶ Sempre que forem usadas ligações de acoplamento universal de torção (ligações de acoplamento de gancho), recomendamos que sejam instalados pinos de travamento e que sejam usados cabos de segurança anti-chicoteamento como salvaguarda contra possíveis falhas da mangueira à máquina, ou de mangueira a mangueira.

▲ PERIGO Ar sobre pressão

O ar em alta pressão que atinge a pele pode penetrá-la e provocar ferimentos graves ou a morte.

- ▶ Desligue sempre a alimentação de ar, a mangueira do ar e a máquina da alimentação de ar quando não estiver em uso, antes de substituir acessórios ou efetuar reparações.
- ▶ Nunca aponte uma mangueira de ar comprimido a si próprio ou a outra pessoa. Para evitar o risco de ferimentos, nunca utilize ar comprimido para soprar, por exemplo, poeiras, sujidade, etc. das suas roupas.

▲ ATENÇÃO Ferramenta de inserção ejetada

Se o retentor da ferramenta na máquina não estiver na posição de travamento, a ferramenta inserida poderá ser ejetada com força, podendo provocar ferimentos pessoais.

- ▶ Nunca dê arranque à máquina enquanto estiver a mudar a ferramenta de inserção.
- ▶ Antes de mudar a ferramenta de inserção ou os acessórios, pare a máquina, desligue a alimentação e purgue a máquina, activando o dispositivo de arranque/paragem.
- ▶ Nunca aponte a ferramenta inserida para si próprio, nem para outra pessoa.
- ▶ Antes de dar arranque à máquina, certifique-se de que a ferramenta de inserção está totalmente inserida, e que o retentor da ferramenta está na posição de travamento.
- ▶ Verifique a função de travamento, puxando para fora com força a ferramenta inserida.

▲ ATENÇÃO Deslocação / desencaixe da ferramenta de inserção

As dimensões incorrectas do encabadouro da ferramenta inserida podem provocar a perda da ferramenta inserida, ou fazer com que ela se desencaixe durante a operação da máquina. Há o risco de ferimentos graves, ou de esmagamento de mãos e dedos.

- ▶ Verifique se as dimensões e o comprimento do encabadouro da ferramenta de inserção são correctos para o que a máquina está preparada.
- ▶ Nunca use uma ferramenta de inserção sem uma gola.

Operação, precauções**▲ PERIGO Perigo de explosão**

Se uma ferramenta de inserção quente entrar em contacto com materiais explosivos ou com gases explosivos, poderá ocorrer uma explosão. Quando trabalhar com certos materiais, ou quando usar certos materiais em peças de máquina, podem ocorrer faíscas e ignição. As explosões podem provocar ferimentos graves ou morte.

- ▶ Nunca opere a máquina num ambiente explosivo.
- ▶ Nunca use a máquina ao pé de materiais inflamáveis, vapores inflamáveis ou poeiras inflamáveis.
- ▶ Certifique-se de que não existem fontes de gás ou explosivos ocultos.

▲ ATENÇÃO Movimentos inesperados

A ferramenta inserida está exposta a grandes esforços quando a máquina está em utilização. A ferramenta inserida pode partir-se devido a fadiga, depois de um certo tempo de uso. Se ferramenta inserida se partir ou se ficar agarrada, pode haver movimentos súbitos e inesperados, que podem provocar ferimentos. Para além disso, se perder o equilíbrio ou escorregar, isso poderá provocar a ocorrência de lesões.

- ▶ Certifique-se de que mantém sempre uma posição estável, com os pés afastados à distância dos seus ombros, e mantendo o peso do seu corpo sempre em equilíbrio.
- ▶ Inspeccione sempre o equipamento antes de o usar. Nunca use o equipamento se suspeitar que este se encontra danificado.
- ▶ Certifique-se de que as pegadas estão limpas e sem massa consistente nem óleo.
- ▶ Mantenha os seus pés afastados da ferramenta inserida.
- ▶ Mantenha-se firmemente de pé e segure sempre a máquina com as duas mãos.
- ▶ Nunca dê arranque à máquina quando ela está deitada no chão.
- ▶ Nunca “ande a cavalo” na máquina com uma perna por cima da pega.
- ▶ Nunca bata na máquina nem lhe faça maus-tratos.
- ▶ Verifique regularmente se não há desgaste na ferramenta de inserção, e procure sinais de danos ou rachas visíveis.
- ▶ Preste atenção e olhe para aquilo que está a fazer.

▲ ATENÇÃO Perigos causados por poeiras e fumos

Poeiras e/ou fumos gerados ou dispersados quando a máquina é utilizada podem causar doenças respiratórias graves e permanentes, doenças ou outras lesões corporais (por exemplo silicose ou outras doenças irreversíveis dos pulmões que possam ser fatais, cancro, defeitos congénitos, e/ou inflamação da pele).

Algumas poeiras e fumos criados por perfuração, demolição, martelamento, serração, retificação e outras atividades de construção contêm substâncias reconhecidas pelo Estado da Califórnia e outras autoridades como sendo causadoras de doença respiratória, cancro, defeitos congénitos, ou outros danos de reprodução. Alguns exemplos dessas substâncias são:

- A sílica cristalina, o cimento, e outros produtos de alvenaria.
- Arsénico e crómio da borracha quimicamente tratada.
- Chumbo de tintas com base de chumbo.

As poeiras e os fumos no ar podem ser invisíveis a olho nu, portanto não confie na visão para determinar se há fumos ou poeiras no ar.

Para reduzir o risco de exposição às poeiras e aos fumos, tome todas as ações seguintes:

- ▶ Faça uma avaliação de riscos específica do local de trabalho. A avaliação de riscos deverá incluir poeiras e fumos criados pela utilização da máquina, bem como o potencial para levantar poeiras já existentes.
- ▶ Use controlos de engenharia adequados, para reduzir ao mínimo as poeiras e os fumos no ar, e para minimizar a acumulação em equipamentos, superfícies, vestuário e partes do corpo. Exemplos de tais controlos incluem: sistemas de ventilação de saída e de recolha de poeira, pulverizações de água, e perfuração acompanhada de injeção de água. Controle poeiras e fumos na origem, sempre que possível. Certifique-se de que tais controlos estão corretamente instalados, em bom estado de manutenção, e que são corretamente usados.
- ▶ Ponha, faça a manutenção e use corretamente a proteção respiratória, conforme as instruções do seu empregador e conforme exigido pelos regulamentos de Saúde e Segurança. A proteção respiratória tem obrigatoriamente de ser eficaz para o tipo de substância em questão (e, se aplicável, tem que ser aprovada pela entidade governamental adequada).
- ▶ Trabalhe numa área bem ventilada.
- ▶ Se a máquina tiver um escape, dirija o escape por forma a reduzir a perturbação de poeiras num ambiente cheio de poeiras.
- ▶ Opere e faça a manutenção da máquina conforme recomendado nestas instruções de operação e segurança.
- ▶ Selecione, faça a manutenção e substitua consumíveis, ferramentas de inserção e outros acessórios conforme recomendado nas instruções de Operação e Segurança. A seleção incorreta ou a falta de manutenção de consumíveis, ferramentas de inserção e outros acessórios pode causar um aumento desnecessário das poeiras ou dos fumos.
- ▶ Utilize vestuário lavável ou descartável no seu local de trabalho, e tome um duche e vista roupas lavadas antes de deixar o local de trabalho para reduzir a sua exposição a poeiras e fumos, assim como a de outras pessoas, carros, casas, e outras áreas.
- ▶ Evite comer, beber e usar produtos de tabaco em áreas onde haja poeiras ou fumos.
- ▶ Lave bem as mãos e o rosto assim que possível depois de sair da área de exposição, e sempre antes de comer, beber, usar produtos de tabaco, ou entrar em contacto com outras pessoas.
- ▶ Cumpra todas as leis e regulamentos aplicáveis, incluindo os regulamentos de Saúde e Segurança no Trabalho.
- ▶ Participe na monitorização do ar, em programas de exames médicos, e em programas de formação em segurança oferecidos pelo seu empregador ou por organizações laborais, e de acordo com os regulamentos e recomendações de Saúde e Segurança no trabalho. Consulte um médico com experiência relevante em medicina do trabalho.
- ▶ Colabore com o seu empregador e com organizações laborais para reduzir a exposição a poeiras e fumos no local de trabalho e para reduzir os riscos. Com base no conselho de especialistas de Saúde e Segurança, deverão ser definidos e implementados programas, políticas e procedimentos eficazes de Saúde e Segurança para a proteção dos trabalhadores e de terceiros contra a exposição prejudicial a poeiras e fumos. Aconselhe-se com especialistas.
- ▶ Os resíduos de substâncias perigosas na máquina podem ser um risco. Antes de iniciar um trabalho de manutenção na máquina, limpe-a cuidadosamente.

▲ ATENÇÃO Projéteis

Uma falha da peça de trabalho, dos acessórios, ou até mesmo da própria máquina, pode gerar projéteis de alta velocidade. Durante a operação da máquina, as lascas ou quaisquer outras partículas do material de trabalho podem tornar-se projéteis e provocar ferimentos pessoais, atingindo o operador ou quaisquer outras pessoas. Para reduzir estes riscos:

- ▶ Use equipamento pessoal de protecção e capacete de segurança, incluindo protecção para os olhos que seja resistente ao impacto e que tenha protecção lateral.
- ▶ Certifique-se de que não há pessoas não autorizadas na zona de trabalho.
- ▶ Mantenha o local de trabalho livre de objectos estranhos.
- ▶ Certifique-se de que a peça de trabalho está fixada de forma segura.

▲ ATENÇÃO Risco de estilhaços

Se a ferramenta de inserção for usada como uma ferramenta de impacto manual, daí podem resultar estilhaços que atinjam o operador, podendo causar ferimentos pessoais.

- ▶ Nunca use uma ferramenta de inserção como uma ferramenta de impacto manual. São especialmente concebidas e tratadas a quente, e só podem ser usadas numa máquina.

▲ ATENÇÃO Riscos de escorregar, tropeçar e cair

Há o risco de escorregar ou tropeçar ou cair, por exemplo tropeçar nas mangueira ou noutros objectos. Escorregar ou tropeçar ou cair pode causar ferimentos. Para reduzir este risco:

- ▶ Certifique-se sempre de que não há nenhuma mangueira ou outros objectos no seu caminho ou no caminho de outra pessoa.
- ▶ Certifique-se sempre de que mantém uma posição estável, com os pés afastados à distância dos seus ombros, e mantendo o peso do corpo equilibrado.

▲ ATENÇÃO Riscos de movimento

Quando usar a máquina para executar actividades relacionadas com o trabalho, pode sentir desconforto nas mãos, braços, ombros, pescoço, ou outras partes do corpo.

- ▶ Adopte uma postura confortável, ao mesmo tempo que mantém os pés bem apoiados e que evita posturas incómodas e em desequilíbrio.
- ▶ Mudar a postura durante a execução de tarefas prolongadas pode ajudar a evitar desconforto e fadiga.
- ▶ Em caso de sintomas persistentes ou recorrentes, consulte um profissional de saúde qualificado.

▲ ATENÇÃO Perigo de vibração

A utilização normal e correta da máquina expõe o operador a vibrações. A exposição regular e frequente à vibração pode provocar, contribuir para, ou agravar lesões ou doenças nos dedos, mãos, pulsos, braços, ombros e/ou nervos e circulação sanguínea ou outras partes do corpo do operador, incluindo lesões ou doenças debilitantes e/ou permanentes que se podem desenvolver gradualmente ao longo de um período de semanas, meses ou anos. Tais lesões ou distúrbios podem incluir danos nos sistemas circulatório e nervoso, lesões nas articulações, e possíveis danos noutras estruturas corporais.

Se sentir entorpecimento, desconforto recorrente persistente, sensação de queimadura, enrijecimento, latejar, formigueiros, dores, descoordenação, falta de força nas mãos, embranquecimento da pele, ou outros sintomas a qualquer altura quando utilizar a máquina, ou quando não a estiver a utilizar, não deve retomar a utilização da mesma e deve informar o seu empregador e consultar um médico. A utilização continuada da máquina após a ocorrência de tais sintomas pode aumentar o risco do agravamento e/ou permanência dos mesmos.

Faça a operação e manutenção da máquina conforme recomendado nestas instruções, para evitar um aumento desnecessário das vibrações.

Os seguintes passos podem ajudar a reduzir a exposição do operador às vibrações:

- ▶ Deixe a ferramenta fazer o trabalho. Faça o mínimo de força de aperto com as mãos: apenas o suficiente para garantir um bom controlo e a operação em segurança.
- ▶ Se a máquina tiver pegas absorvedoras de vibrações, mantenha-as numa posição central, evite pressionar as pegas nos batentes de extremo.
- ▶ Quando o mecanismo de percussão está ativado, a única parte do seu corpo que deve estar em contacto com a máquina são as suas mãos sobre a pega ou pegas. Evite qualquer outro contacto, como por exemplo, apoiar qualquer parte do corpo contra a máquina, ou inclinar-se sobre a máquina para tentar aumentar a força de avanço. É também importante que não tenha o dispositivo de arranque e paragem ativado enquanto tirar a ferramenta da superfície de trabalho partida.

- ▶ Certifique-se de que a ferramenta inserida está em bom estado de manutenção (incluindo se está afiada, se for uma ferramenta de corte), não está desgastada, e é do tamanho correto. Quando as ferramentas de inserção não estão em bom estado de manutenção, ou estão desgastadas, ou não possuem o tamanho correto, então irá precisar de mais tempo para completar a tarefa (e um maior período de exposição a vibrações), o que pode originar ou contribuir para níveis mais elevados de exposição a vibrações.
- ▶ Pare imediatamente de trabalhar se a máquina começar de repente a vibrar fortemente. Antes de voltar ao trabalho, certifique-se de que encontrou e corrigiu a causa do aumento de vibrações.
- ▶ Nunca agarre, pegue, nem toque na ferramenta inserida enquanto a máquina estiver a trabalhar.
- ▶ Participe na vigilância ou monitorização do estado de saúde, em exames médicos e em programas de formação oferecidos pelo seu empregador, e quando exigido por lei.
- ▶ Quando trabalhar em condições de tempo frio, vista roupa quente e mantenha as mãos quentes e secas.
- ▶ O ar de exaustão é extremamente frio e não deve entrar em contacto com o operador. Afaste sempre o ar da exaustão das mãos e do corpo.

Veja a “Declaração de ruído e vibração” da máquina, incluindo os valores declarados de vibrações. Estas informações estão no final destas instruções de Segurança e Operação.

- ◆ Siga as recomendações em termos de pressão de ar ao operar o equipamento. Tanto uma pressão de ar excessiva como insuficiente têm o potencial de resultar em elevados níveis de vibração.

▲ PERIGO Perigo eléctrico

A máquina não tem isolamento eléctrico. Se a máquina entrar em contacto com fontes de electricidade, isso pode provocar ferimentos graves ou morte.

- ▶ Nunca opere a máquina ao pé de qualquer cabo eléctrico, ou de outra fonte de electricidade.
- ▶ Certifique-se de que não existem cabos ocultos, ou quaisquer outras fontes de electricidade, na área de trabalho.

▲ ATENÇÃO Perigo de objectos ocultos

Durante a operação, os cabos e tubos ocultos constituem um perigo que pode provocar ferimentos graves.

- ▶ Verifique a composição do material, antes de começar a usar a máquina.
- ▶ Tenha cuidado com cabos e tubos ocultos, por exemplo, de electricidade, telefone, água, gás, esgotos, etc.
- ▶ Se lhe parecer que a ferramenta inserida atingiu um objecto oculto, desligue a máquina imediatamente.
- ▶ Antes de voltar ao trabalho, certifique-se de que não há qualquer perigo.

▲ ATENÇÃO Arranque involuntário

O arranque involuntário da máquina pode provocar ferimentos.

- ▶ Mantenha as mãos longe do dispositivo de arranque e paragem até estar pronto para dar arranque à máquina.
- ▶ Aprenda a como desligar a máquina em caso de emergência.
- ▶ Solte imediatamente o dispositivo de arranque/paragem em todos os casos de interrupção de alimentação.
- ▶ Sempre que montar ou desmontar a ferramenta de inserção, desligue a alimentação de ar comprimido, purgue a máquina activando o dispositivo de arranque/paragem, e remova a alimentação da máquina.

▲ ATENÇÃO Perigo de ruído

Níveis de ruído altos podem causar perda de audição permanente e deficiência na audição, bem como outros problemas tais como tinnitus (campainhas, zumbidos, apitos ou barulhos surdos nos ouvidos). Para reduzir os riscos e prevenir um aumento desnecessário nos níveis de ruído:

- ▶ É essencial a avaliação de risco destes perigos e a implementação de controlos adequados.
- ▶ Opere e faça a manutenção da máquina conforme recomendado nestas instruções.
- ▶ Seleccione, faça a manutenção e substitua a ferramenta de inserção conforme recomendado nestas instruções.
- ▶ Se a máquina tiver um silenciador, certifique-se de que está aplicado e que está em boas condições de funcionamento.
- ▶ Use sempre protecção para a audição.
- ▶ Use material de amortecimento para evitar que as peças de trabalho “toquem” como uma campainha.

Manutenção, precauções**▲ ATENÇÃO Modificação da máquina**

As modificações feitas à máquina poderão resultar em danos físicos para si ou terceiros.

- ▶ Nunca faça modificações à máquina. Máquinas modificadas não estão cobertas pela Garantia ou pela Responsabilidade Legal do produto.
- ▶ Utilize sempre peças, ferramentas de inserção e acessórios originais aprovados pela Atlas Copco.
- ▶ Mude imediatamente quaisquer peças danificadas.
- ▶ Substitua os componentes desgastados atempadamente.

▲ CUIDADO Ferramenta de inserção quente

A ponta da ferramenta de inserção pode ficar quente e afiada quando está a ser usada. Se lhe tocar, pode sofrer queimaduras e cortes.

- ▶ Nunca toque numa ferramenta de inserção quente ou afiada.
- ▶ Espere até que a ferramenta de inserção tenha arrefecido, antes de fazer tarefas de manutenção.

▲ ATENÇÃO Riscos da ferramenta de inserção

Se a alimentação estiver ligada à máquina, a activação acidental do dispositivo de arranque/paragem durante a manutenção ou instalação pode causar ferimentos graves.

- ▶ Nunca inspeccione, limpe, instale ou desmonte a ferramenta de inserção quando a alimentação estiver ligada à máquina.

Armazenamento, precauções

- ◆ Guarde a máquina e as ferramentas num local seguro, fora do alcance de crianças e trancado.

Visão geral

Para reduzir o risco de ferimentos graves ou morte para si ou para terceiros, antes de usar a máquina leia a secção das Instruções de Segurança, que está nas páginas anteriores deste manual.

Concepção e função

Estas instruções são válidas para o modelo TEX 07PE.

O modelo TEX 07PE é uma máquina com uma pega em D com amortecimento de vibrações, concebida para tarefas de demolição ligeira e trabalho em fábricas. A máquina pode ser utilizada tanto na horizontal como na vertical. Não é permitido outro tipo de uso.

Para escolher a ferramenta correcta, consulte a lista de Peças sobressalentes.

Escolher o martelo pneumático correcto para uma tarefa

É importante escolher o tamanho correcto do martelo pneumático para o trabalho a ser realizado.

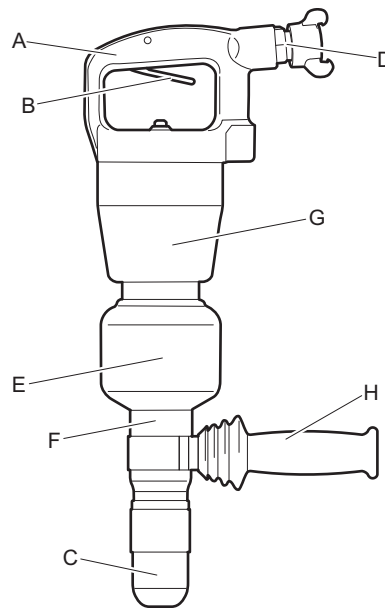
Um martelo pneumático que seja demasiado pequeno significa que o trabalho irá demorar mais a ser realizado.

Um martelo que seja demasiado grande e com frequente necessidade de reposicionamento, é, desnecessariamente, fatigante para o operador.

Uma regra simples para escolher o tamanho correcto do martelo pneumático é que uma parte do material demolido de tamanho normal possa ser removida do local de trabalho no espaço de tempo de 5-10 segundos.

- Se demorar menos de 5 segundos, deverá ser seleccionado um martelo pneumático mais pequeno.
- Se demorar mais de 10 segundos, deverá ser seleccionado um martelo pneumático maior.

Peças principais

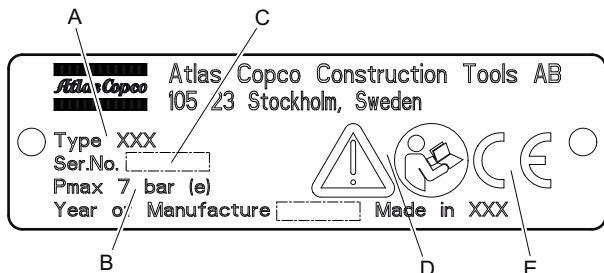


- A. Pega
- B. Gatilho
- C. Retentor da ferramenta
- D. Entrada de ar
- E. Silenciador
- F. Cilindro
- G. Invólucro
- H. Pega dianteira (opcional)

Autocolantes

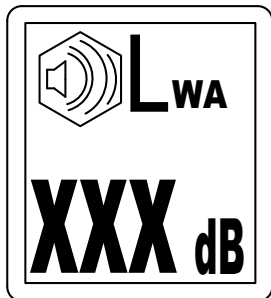
A máquina está equipada com autocolantes que mostram informação importante sobre a segurança pessoal do operador e a manutenção da máquina. Os autocolantes devem estar em boas condições que permitam a sua leitura com facilidade. Novos autocolantes podem ser encomendados a partir da lista de peças sobressalentes.

Placa de dados



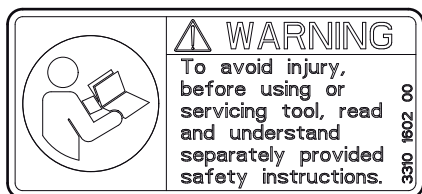
- A. Tipo de máquina
- B. Pressão máxima permitida de ar comprimido
- C. Número de série
- D. O símbolo de atenção, juntamente com o símbolo de livro, significa que o utilizador tem que ler as instruções de segurança e operação antes de poder utilizar o equipamento pela primeira vez.
- E. O símbolo CE significa que a máquina está aprovada pela CE. Consulte a Declaração CE que é fornecida com o equipamento para obter mais informações. Se o símbolo CE não estiver presente, isso significa que a máquina não está aprovada pela CE.

Autocolante de nível de ruído



O autocolante indica o nível de ruído garantido que corresponde à Directiva-CE 2000/14/CE. Veja os "Dados técnicos" para saber o nível de ruído exacto.

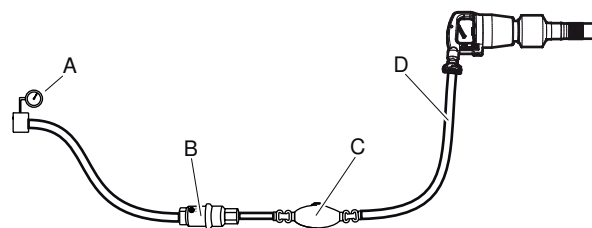
Autocolante de segurança



Para evitar ferimentos, antes de operar ou fazer manutenção na ferramenta, leia e compreenda as instruções de segurança, fornecidas em separado.

Instalação

Mangueiras e ligações



- A. Fonte de ar comprimido
 - B. Separador de água (opcional)
 - C. Lubrificador (opcional)
 - D. Mangueira de ar comprimido entre o lubrificador e o equipamento com um máx. de 3 m (10 ft).
- ♦ Verifique se está a utilizar a pressão de funcionamento correcta recomendada, 6 bar (e) (87 psi).
 - ♦ A máxima pressão de ar permitida, 7 bar (e) (102 psi), não pode ser excedida.
 - ♦ Sobre quaisquer impurezas da mangueira de ar comprimido antes de a ligar ao equipamento.
 - ♦ Seleccione a dimensão e comprimentos correctos para a mangueira de ar comprimido. No caso de mangueiras até 30 m (100 ft) de comprimento, deve utilizar uma mangueira com um diâmetro interior mínimo de 19 mm (3/4 in.). Se o comprimento da mangueira for de 30 a 100 m (100 a 330 ft), deve utilizar uma mangueira com um diâmetro interior mínimo de 25 mm (1 in.).

Métodos para evitar o congelamento

Pode ocorrer a formação de gelo no silenciador quando a temperatura ambiente for de 0-10°C (32-50 °F) e a humidade relativa for elevada.

O equipamento é concebido para evitar a formação de gelo no silenciador. Apesar disso, pode formar-se gelo no silenciador, em condições extremas.

Tome as seguintes medidas para diminuir o risco de formação de gelo:

- ♦ Utilize o Atlas Copco Breaker and hammer AIR-OIL como lubrificante. O Breaker and hammer AIR-OIL impede o congelamento.
- ♦ Utilize um separador de água.

Conectar o separador de água

O comprimento da mangueira de ar entre o compressor e o separador de água tem de permitir que o vapor de água arrefeça e condense na mangueira antes de atingir o separador de água.

Se a temperatura ambiente for abaixo dos 0°C (32°F), a mangueira tem de ser suficientemente curta para prevenir que a água congele antes de atingir o separador de água.

Lubrificação

O lubrificante é importante para o funcionamento do equipamento e tem um grande impacto sobre a sua durabilidade. Se não houver um lubrificador integrado, então ligue um lubrificador separado à mangueira de ar. Para garantir uma boa lubrificação, o comprimento da mangueira de ar entre o lubrificador e a máquina pneumática não deve ser superior a 3 metros.

Utilize um lubrificante sintético, tal como o Atlas Copco Breaker and Hammer AIR-OIL ou óleo mineral com as propriedades recomendadas na tabela que se segue.

Lubrificante	Amplitude de temperatura (°C)	Viscosidade
Breaker and Hammer AIR-OIL	-30 a +50	-
Óleo mineral/Óleo sintético	+15 a +50	ISO VG 46-68
Óleo mineral/Óleo sintético	-20 a +15	ISO VG 22-32

Ferramenta de inserção

⚠ CUIDADO Ferramenta de inserção quente

A ponta da ferramenta de inserção pode ficar quente e afiada quando está a ser usada. Se lhe tocar, pode sofrer queimaduras e cortes.

- ▶ Nunca toque numa ferramenta de inserção quente ou afiada.
- ▶ Espere até que a ferramenta de inserção tenha arrefecido, antes de fazer tarefas de manutenção.

AVISO Nunca use água para arrefecer uma ferramenta de inserção quente, porque isso pode tornar a ferramenta quebradiça e levá-la a falhar antes do tempo.

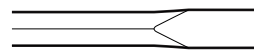
Escolher a ferramenta de inserção correcta

Escolher a ferramenta de inserção correcta é um pré-requisito para o funcionamento adequado da máquina. É importante escolher ferramentas de inserção de alta qualidade, para evitar danos desnecessários à máquina.

A máquina pode ser destruída se usar uma ferramenta de inserção incorrecta.

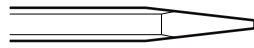
As ferramentas de inserção recomendadas estão listadas na lista de peças sobressalentes da máquina.

Escopro estreito



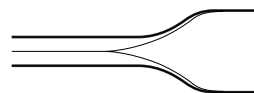
O escopro estreito é usado para trabalhos de demolição e corte, em betão e noutros tipos de material duro.

Escopro de bico



O escopro de bico só é usado para fazer furos em betão e noutros tipos de chão duro.

Escopro de lâmina larga

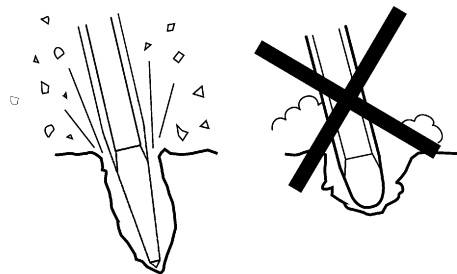


O escopro de lâmina larga é usado em material mole, como asfalto e terra congelada.

⚠ ATENÇÃO Perigo de vibração

Se usar ferramentas inseridas que não cumpram os critérios mencionados abaixo, irá precisar de mais tempo para completar o trabalho, e poderá provocar níveis mais elevados de exposição a vibrações. Uma ferramenta desgastada irá também aumentar o tempo de trabalho.

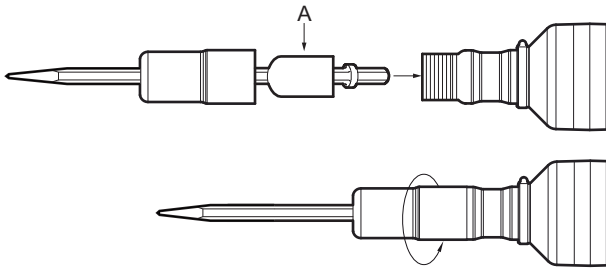
- ▶ Certifique-se de que a ferramenta inserida está em bom estado de manutenção, não está desgastada, e é do tamanho adequado.
- ▶ Use sempre uma ferramenta afiada, para trabalhar de forma eficiente.



Encaixar e remover a ferramenta de inserção

Sempre que encaixar ou remover a ferramenta de inserção, tem obrigatoriamente que seguir as seguintes instruções:

- ◆ Para evitar um arranque acidental: desligue a alimentação de ar e remova a alimentação da máquina. Purgue a máquina, pressionando o dispositivo de arranque e paragem.
- ◆ Antes de inserir a ferramenta, lubrifique o encabadouro da ferramenta com massa consistente.
- ◆ Feche o retentor da ferramenta e verifique a função de travamento, puxando fortemente para fora a ferramenta inserida.



1. Ponha a gola sobre o corpo hexagonal da ferramenta de inserção.
2. Ponha o amortecedor (A) sobre a haste da ferramenta de inserção.
3. Introduza a ferramenta de inserção dentro do cilindro e enrosque a gola ao cilindro até travar.

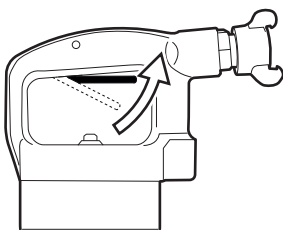
Operação

▲ ATENÇÃO Arranque involuntário

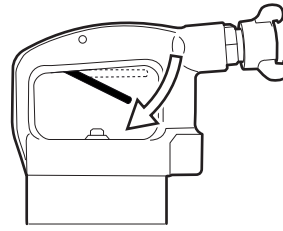
O arranque involuntário da máquina pode provocar ferimentos.

- ▶ Mantenha as mãos longe do dispositivo de arranque e paragem até estar pronto para dar arranque à máquina.
- ▶ Aprenda a como desligar a máquina em caso de emergência.
- ▶ Pare a máquina imediatamente em todos os casos de interrupção de alimentação.

Arranque e paragem



Arranque a máquina apertando o gatilho e mantendo firme a pega.

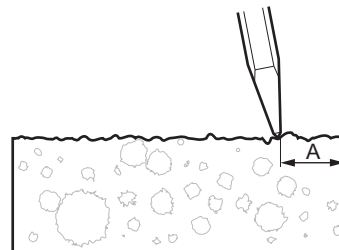


Pare o equipamento, soltando o gatilho. O gatilho retorna, automaticamente, à posição de paragem.

Funcionamento

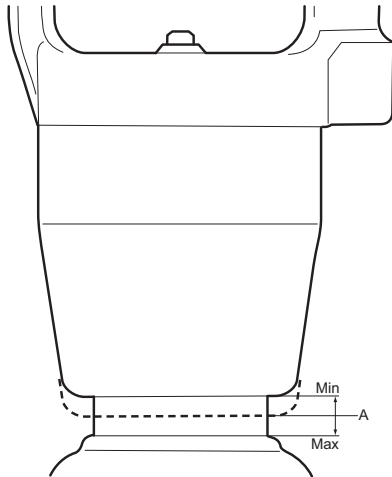
Iniciar um corte

- ◆ Mantenha-se em pé, numa posição estável, e com os pés bem longe da ferramenta inserida.
- ◆ Antes de começar, empurre a máquina contra a superfície de trabalho.
- ◆ Comece a martelar a uma determinada distância do rebordo, de maneira a que a máquina seja capaz de demolir o material sem efeito de alavanca.
- ◆ Nunca tente fazer a demolição de peças demasiado grandes. Ajuste a distância de demolição (A) de modo a que a ferramenta de trabalho não fique presa.



Demolir

- ◆ Deixe a máquina fazer o seu trabalho; não empurre com demasiada força. A pega de amortecimento de vibração não pode de maneira nenhuma ser pressionada até à base.
- ◆ Para as máquinas pneumáticas com pegas de amortecimento de vibração: A pressão deverá ser adaptada de maneira a que a pega seja pressionada até “metade”. Os melhores efeitos de amortecimento de vibração e demolição são atingidos nesta posição.



- ◆ Evite trabalhar com materiais extremamente duros, como por exemplo o granito ou o ferro para betão armado, que podem causar vibrações muito fortes.
- ◆ Tem obrigatoriamente que ser evitado qualquer funcionamento em marcha lenta, sem a ferramenta de inserção, ou com a máquina levantada.
- ◆ Quando a máquina está levantada, não pode nunca ser activado o dispositivo de arranque e paragem.
- ◆ Certifique-se regularmente de que a máquina está bem lubrificada.

Ao fazer uma pausa

- ◆ Durante todas as pausas, terá de pôr a máquina numa posição em que não haja risco de arranque accidental. Certifique-se de que põe a máquina no chão, de maneira a que não possa cair.
- ◆ Na eventualidade de um intervalo de maior duração ou quando sair do local de trabalho: desligue a alimentação e, em seguida, purgue a máquina, activando o dispositivo de arranque/paragem.

Manutenção

Fazer manutenção regular à máquina é essencial para que a máquina possa continuar a ser utilizada com eficiência e em segurança. Siga cuidadosamente as instruções de manutenção.

- ◆ Antes de começar a manutenção da máquina, limpe-a para evitar exposição a substâncias perigosas. Veja “Perigos de poeiras e fumos”
- ◆ Utilize só peças autorizadas. Quaisquer danos ou mau funcionamento causados pela utilização de peças não autorizadas não estão cobertos pela Garantia ou pela Responsabilidade Legal do Produto.
- ◆ Quando limpar peças mecânicas com solvente, cumpra os regulamentos apropriados de Saúde e Segurança, e certifique-se de que há ventilação suficiente.
- ◆ Para fazer uma grande revisão/reparação à máquina, contacte a sua oficina autorizada mais próxima.
- ◆ Depois de cada assistência, certifique-se de que o nível de vibração da máquina é normal. Se não for, contacte a sua oficina autorizada mais próxima.

Diariamente

Antes de fazer qualquer manutenção ou de mudar a ferramenta de inserção em máquinas pneumáticas, desligue sempre a alimentação de ar comprimido e purgue a máquina, activando o dispositivo de arranque/paragem. Depois, desligue a mangueira de ar da máquina.

- ◆ Limpe e inspecione a máquina, e o respectivo funcionamento, todos os dias antes de começar o trabalho.
- ◆ Verifique o desgaste e o funcionamento do retentor da ferramenta.
- ◆ Faça uma inspecção geral, procurando fugas e danos.
- ◆ Verifique se o bocal de entrada de ar está bem apertado, e se a ligação de acoplamento de gancho não está danificada.

- ◆ Para que a máquina mantenha os valores de vibração especificados, verifique sempre o seguinte:

Um espaçamento demasiado grande entre o encabadouro da ferramenta de inserção e o casquilho do escopro irá gerar um aumento das vibrações. Para evitar ser exposto a vibrações excessivas, verifique diariamente o desgaste do casquilho do escopro.

- ◆ Se a máquina tiver uma pega ou pegadas com amortecimento de vibrações, certifique-se de que se deslocam livremente (para cima e para baixo) e que não encravam.
- ◆ Substitua imediatamente quaisquer peças danificadas.
- ◆ Substitua os componentes desgastados atempadamente.
- ◆ Certifique-se de que todos os equipamentos anexos e relacionados, como as mangueiras, os separadores de água e os lubrificadores, recebem a manutenção correcta.

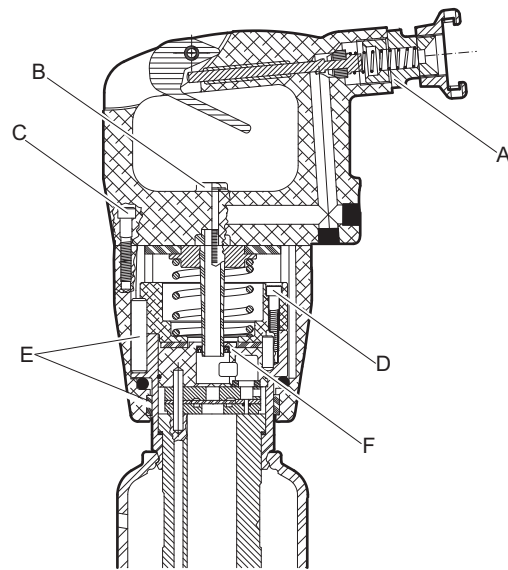
Manutenção periódica

Depois de cada período de funcionamento de aproximadamente 100 horas de impacto ou 3 vezes por ano, o equipamento deve ser desmontado e todas as peças devem ser limpas e verificadas. Este trabalho tem que ser realizado por pessoal autorizado e qualificado para o efeito.

Como directriz, para manter uma elevada potência de saída, as peças da tabela não devem ter um desgaste superior às dimensões indicadas. De salientar que o modelo TEX 07PE não possui um amortecimento tipo almofada do ar do pistão. Isto significa que a capacidade de amortecimento não pode ser utilizada para determinar o grau de desgaste do pistão e do cilindro.

Peça	Diâmetro interior máximo (mm)	Diâmetro exterior mínimo (mm)
Cilindro	28,63	-
Pistão	-	28,50

Instruções de montagem



- Torção: 88–95 Nm, utilize Loctite® 243™ (Loctite é uma marca registada da Henkel Corporation. 243 é uma marca registada da Henkel Corporation.)
- Torção: 15–17 Nm, UNF 1/4" x 44 (1-3/4")
- Torção: 15–17 Nm, UNC 1/4" x 32 (1-1/4")
- Torção: 17 Nm, utilize Loctite® 243™, M6 x 40 - 12.9
- Não lubrifique os cilindros de apoio, anel de desgaste ou superfícies de contacto correspondentes.
- Retire o anel vedante da vedação antes da montagem. O anel vedante só é um suporte para assegurar que a vedação mantém a forma correcta até ser encaixada.

Diagnóstico e reparação de avarias

Caso a máquina pneumática não arranque, tenha pouca potência ou um desempenho irregular, verifique os seguintes pontos.

- ◆ Verifique se a ferramenta de inserção que está a ser utilizada possui a correcta dimensão em termos de encabadouro.
- ◆ Verifique se a máquina pneumática tem a quantidade correcta de lubrificante. Demasiada lubrificação poderá causar problemas de arranque, pouca potência ou um desempenho irregular.
- ◆ Certifique-se de que o sistema de ar comprimido fornece à máquina uma pressão de ar suficiente para alcançar a potência total.
- ◆ Certifique-se de que as dimensões e comprimento da mangueira de ar se encontram de acordo com as recomendações. Consulte “Instalação”.
- ◆ Caso exista risco de congelamento, certifique-se de que as saídas de escape do equipamento não se encontram bloqueadas.
- ◆ Se o funcionamento da máquina ainda não for satisfatório depois deste procedimento, contacte um ponto de assistência autorizado.

Armazenamento

- Limpe correctamente a máquina antes de a armazenar, para evitar substâncias perigosas. Veja “Perigos de poeiras e fumos”
- Despeje cerca de ½ oz (5 cl) de óleo directamente para dentro do bocal de entrada de ar, ligue a máquina à alimentação de ar comprimido e dê arranque à máquina por alguns segundos.
- Armazene sempre a máquina num lugar seco.

Abate

Uma máquina abatida deve ser tratada e eliminada de maneira a que maior parte possível do seu material possa ser reciclada, e que qualquer influência negativa sobre o meio-ambiente seja mantida ao nível mais baixo possível, e em conformidade com as restrições locais.

Dados técnicos

Dados da máquina

Tipo	Dimensão do encabadouro mm	Peso kg	Comprimento mm	Frequência do impacto Hz	Consumo de ar l/s
TEX 07PE	H19 x 50	8,7	525	29,5	17
TEX 07PE, com pega lateral à frente	H19 x 50	9,0	525	29,5	17

Declaração de ruído e vibração

Nível de ruído garantido **L_w** de acordo com a EN ISO 3744 e em conformidade com a directiva 2000/14/CE.

Nível de pressão sonora **L_p** de acordo com a EN ISO 11203.

Valores das vibrações **A** e incerteza **B** determinado de acordo com EN ISO 20643. Ver a tabela “Dados de ruído e vibração” para os valores de A, B, etc.

Estes valores declarados foram obtidos por meio de ensaios laboratoriais de acordo com a directiva ou as normas declaradas e são adequados para comparação com os valores declarados de outras ferramentas testadas de acordo com as mesmas directivas ou normas. Estes valores declarados não são adequados para utilização em avaliações de risco, e os valores medidos em locais de trabalho individuais podem ser mais elevados. Os valores reais de exposição e o risco para o utilizador individual são únicos e dependem do modo como o utilizador trabalha, do material em que o equipamento é utilizado, bem como do tempo de exposição e do estado físico do utilizador, e das condições da máquina.

Nós, na Atlas Copco Construction Tools AB, não podemos ser considerados responsáveis pelas consequências de usar os valores declarados em vez de valores que reflectam a exposição real na avaliação de riscos pessoais numa situação de trabalho sobre a qual não temos qualquer controlo.

Esta ferramenta poderá provocar síndrome de vibração da mão-braço, se a respectiva utilização não for gerida correctamente. Pode ser encontrada uma guia da CE para gerir a vibração da mão-braço em <http://www.humanvibration.com/humanvibration/EU/VIBGUIDE.html>

Recomendamos um programa de supervisão médica para detectar atempadamente possíveis sintomas que possam estar relacionados com a exposição a vibrações, permitindo modificar os procedimentos de gestão para ajudar a evitar uma futura deficiência.

Informação adicional sobre vibração

Esta informação é facultada para ajudar a fazer estimativas aproximadas dos valores de vibração no local de trabalho.

A emissão de vibrações varia grandemente em função dos trabalhos e da técnica do operador. Os valor declarado de vibração diz respeito à pega principal (ou pegadas), podendo ocorrer níveis de vibração muito mais altos noutras posições das mãos. Achamos que a utilização normal da ferramenta para os fins a que se destina irá geralmente produzir emissões de vibrações na amplitude de $C\%^{m/s^2}$ e $E\%^{m/s^2}$ (valores totais de vibração, conforme definido na EN ISO 5349-1), dependendo dos pormenores da tarefa, mas poderão ocorrer emissões fora desta amplitude para algumas aplicações.

Um número de $D\%^{m/s^2}$ e $F\%^{m/s^2}$ é provavelmente um valor médio útil de emissões ao, por exemplo, fazer uma estimativa aproximada da exposição média provável de utilizadores que desempenham uma variada gama de tarefas dentro da utilização da ferramenta para os fins a que se destina. Salientamos que a aplicação da ferramenta a um único trabalho especializado poderá produzir uma emissão média diferente e, em alguns casos, recomendamos fortemente uma avaliação específica da emissão de vibrações.

Dados sobre o ruído e vibrações

Tipo	Ruído		Vibração					
	Pressão sonora	Potência sonora	Valores dos três eixos					
	Valores declarados		Valores declarados		Informação adicional sobre vibração			
	EN ISO 11203	2000/14/CE	EN ISO 20643		Betão		Tijolo	
	Lp r=1m dB(A) rel 20µPa	Lw garantido dB(A) rel 1pW	A m/s ² valor	B m/s ² disper sões	C m/s ² amplitude	D m/s ² média	E m/s ² ampli tude	F m/s ² média
TEX 07PE Apenas com pega em D	87	104	12,4	1,7	9,0-11,9	10,5	7,9-10,0	9,0
TEX 07PE Com pega em D e pega lateral na frente	87	104	10,5	1,5	7,5-11,2	9,6	9,6-12,2	10,6

Declaração de Conformidade da CE

Declaração de Conformidade da CE (Directiva da CE 2006/42/CE)

Nós, Atlas Copco Construction Tools AB, declaramos pela presente que as máquinas listadas abaixo se encontram em conformidade com as provisões da Directiva 2006/42/CE da CE (Directiva de Maquinaria) e com a Directiva 2000/14/CE (Directiva de Ruído), e com as normas harmonizadas mencionadas abaixo.

Martelos picadores	Nível de potência sonora garantido [dB(A)]	Nível de potência sonora medido [dB(A)]	Pmax (bar)
TEX 07PE	104	98	7

Foram aplicadas as seguintes normas harmonizadas:

- ◆ EN ISO 11148-4

Foram aplicadas as seguintes outras normas:

- ◆ Lloyds Register Quality Assurance, NoBo no.0088

Representante autorizado para Documentação Técnica:

Per Forsberg
 Atlas Copco Construction Tools AB
 Dragonvägen 2
 Kalmar

Vice-presidente Design e Desenvolvimento:

Erik Sigfridsson

Fabricante:

Atlas Copco Construction Tools AB
 105 23 Stockholm
 Sweden

Local e data:

Kalmar, 2012-06-30

ITALIANO

Indice

Introduzione	109
Informazioni sulle istruzioni per la sicurezza e per l'uso	109
Istruzioni per la sicurezza	110
Terminologia di sicurezza	110
Precauzioni e qualifiche personali	110
Dispositivi di protezione personale	110
Droghe, sostanze alcoliche o farmaci	110
Installazione, precauzioni	110
Funzionamento, precauzioni	111
Manutenzione, precauzioni	114
Conservazione, precauzioni	115
Avvertenze	116
Modello e funzioni	116
Scelta del corretto demolitore pneumatico per una data mansione	116
Parti principali	116
Etichette	116
Targhetta dei dati	117
Etichetta relativa al livello di rumore	117
Etichetta di sicurezza	117
Installazione	117
Tubi e collegamenti	117
Misure antigelo	117
Collegamento del separatore di condensa	118
Lubrificazione	118
Utensile di inserimento	118
Selezione del corretto utensile di inserimento	118
Scalpello stretto	118
Scalpello a punta universale	118
Scalpello a lama larga	118
Montaggio e smontaggio dell'utensile di inserimento	118
Funzionamento	119
Avviamento e arresto	119
Condizioni di esercizio	119
Avvio di un taglio	119
Demolizione	120
Durante le pause della lavorazione	120
Manutenzione	120
Giornaliera	120
Manutenzione periodica	121
Istruzioni per il montaggio	121
Ricerca dei guasti	121
Immagazzinamento	122
Smaltimento	122
Dati tecnici	123
Dati della macchina	123
Dichiarazione in materia di rumore e vibrazioni	123
Ulteriori informazioni sulle vibrazioni	123

Dati su rumore e vibrazioni.....	124
Dichiarazione di conformità CE.....	125
Dichiarazione di conformità CE (Direttiva CE 2006/42/CE).....	125

Introduzione

Grazie per aver scelto un prodotto Atlas Copco. Sin dal 1873 siamo stati impegnati nella ricerca di modi nuovi e migliori per soddisfare le necessità dei nostri clienti. Nel corso degli anni abbiamo messo a punto prodotti di concezione innovativa ed ergonomica per aiutare la nostra clientela a migliorare e razionalizzare il proprio lavoro quotidiano.

Atlas Copco dispone di una rete internazionale di vendita e di assistenza organizzata, costituita di centri di assistenza ai clienti e di distributori ubicati in tutto il mondo. I nostri esperti sono professionisti con una formazione altamente specializzata e dotati di vasta conoscenza dei prodotti e di ampia esperienza sulle loro applicazioni. In tutti gli angoli del mondo, Atlas Copco è in grado di offrire assistenza per i prodotti e la competenza idonea a garantire che i suoi clienti possano lavorare con la massima efficienza in qualunque momento.

Per ulteriori informazioni si prega di visitare il sito: www.atlascopco.com

Atlas Copco Construction Tools AB

105 23 Stockholm

Sweden

Informazioni sulle istruzioni per la sicurezza e per l'uso

Scopo di queste istruzioni è fornire informazioni per un uso sicuro ed efficiente del martello picconatore pneumatico. Tali istruzioni offriranno inoltre consigli e indicazioni su come eseguire la normale manutenzione del martello picconatore pneumatico.

Quando ci si accinge a utilizzare il martello picconatore pneumatico per la prima volta, leggere queste istruzioni attentamente e accertarsi di averle comprese perfettamente.

Istruzioni per la sicurezza

Per ridurre il rischio di lesioni gravi o morte, per se stessi o altre persone, leggere e comprendere le istruzioni sulla sicurezza e l'uso prima di installare, utilizzare, riparare la macchina, eseguirne la manutenzione o modificare gli accessori della macchina.

Affiggere queste istruzioni per la sicurezza e l'uso nelle sedi di lavoro, fornirne copia agli addetti e assicurarsi che tutti le leggano prima di procedere all'uso o alla manutenzione della macchina.

Inoltre, l'operatore o il proprio datore di lavoro dovrebbero valutare i rischi specifici che potrebbero essere presenti come conseguenza di ciascun utilizzo della macchina.

Terminologia di sicurezza

Le parole Pericolo, Attenzione e Prudenza hanno i seguenti significati:

PERICOLO	Indica una situazione di pericolo che, qualora non sia evitata, può provocare gravi lesioni personali o morte.
AVVERTENZA	Indica una situazione di pericolo che, qualora non sia evitata, può provocare gravi lesioni personali o morte.
ATTENZIONE	Indica una situazione di pericolo che, qualora non sia evitata, può provocare lievi lesioni personali o di modesta entità.

Precauzioni e qualifiche personali

L'uso e la manutenzione della macchina sono riservati esclusivamente a personale addestrato e qualificato. Questo deve essere in grado di gestire fisicamente la massa, il peso e la potenza dell'utensile. Utilizzare sempre le regole del buon senso.

Dispositivi di protezione personale

Utilizzare sempre dispositivi di protezione approvati. Gli operatori e tutte le altre persone presenti nella zona di lavoro devono indossare i dispositivi di protezione, che comprenderanno almeno:

- Elmetto protettivo
- Protezione acustica
- occhiali di sicurezza resistenti agli urti con protezioni laterali
- protezione delle vie respiratorie, se necessario

- guanti protettivi
- calzature protettive adeguate
- Camice da lavoro idoneo o abbigliamento simile (non largo) che copra braccia e gambe.

Droghe, sostanze alcoliche o farmaci

▲ AVVERTENZA Droghe, sostanze alcoliche o farmaci

Droghe, sostanze alcoliche o farmaci possono compromettere il proprio giudizio e la capacità di concentrazione. Scarsa reattività e valutazioni imprecise possono causare gravi incidenti o morte.

- ▶ Non utilizzare mai la macchina qualora si sia estremamente stanchi o sotto l'effetto di droghe, sostanze alcoliche o farmaci.
- ▶ Persone sotto l'effetto di droghe, sostanze alcoliche o farmaci non possono utilizzare la macchina.

Installazione, precauzioni

▲ PERICOLO Colpo di frusta del tubo dell'aria

Un tubo ad aria compressa che si scollegi può avere dei movimenti sferzanti e causare lesioni personali o la morte. Per ridurre tali rischi:

- ▶ Verificare che il tubo flessibile e i collegamenti per l'aria compressa non siano danneggiati, sostituire se necessario.
- ▶ Verificare che tutti i collegamenti per l'aria compressa siano corretti.
- ▶ Non trasportare mai la macchina pneumatica dal tubo dell'aria.
- ▶ non tentare mai di scollegare un tubo ad aria compressa quando è pressurizzato; Interrompere innanzi tutto l'aria compressa sul compressore e spurgare la macchina attivando il dispositivo di avviamento e arresto.
- ▶ Non utilizzare raccordi a sgancio rapido sull'ingresso dell'utensile. Utilizzare raccordi filettati dei tubi in acciaio temprato (o materiale con una equivalente resistenza all'urto).
- ▶ Ogni volta che si utilizzano innesti girevoli universali (raccordi istantanei) raccomandiamo di montare perni di blocco e di utilizzare cavi di sicurezza contro i colpi di frusta per evitare eventuali problemi di collegamento tubo-utensile e tubo-tubo.

▲ PERICOLO Aria sotto pressione

Se l'aria ad alta pressione colpisce la pelle, può penetrare causando gravi lesioni personali o la morte.

- ▶ Chiudere sempre l'alimentazione pneumatica, spurgare i flessibili in pressione e scollegare la macchina dall'alimentazione pneumatica quando non è in uso, prima di sostituire gli accessori o per qualsiasi intervento di riparazione.
- ▶ Non puntare mai un flessibile in pressione verso se stessi o un'altra persona. Per evitare il rischio di lesioni, non usare mai aria compressa per eliminare polvere, impurità ecc. dai propri indumenti.

▲ AVVERTENZA Espulsione dell'utensile di inserimento

Qualora il trattenitore dell'utensile sulla macchina non sia bloccato, l'utensile inserito può essere espulso con forza provocando lesioni personali.

- ▶ Non avviare mai la macchina prima di sostituire l'utensile di inserimento.
- ▶ Prima di cambiare l'utensile di inserimento o altri accessori, spegnere sempre la macchina, disinserire l'alimentazione dell'aria e spurgare la macchina premendo il dispositivo di avviamento e arresto.
- ▶ Mai orientare l'utensile inserito verso se stessi o un'altra persona.
- ▶ Prima di avviare la macchina, accertarsi che l'utensile di inserimento sia inserito a fondo e che il relativo dispositivo di bloccaggio sia saldamente bloccato.
- ▶ Controllare il funzionamento del blocco spingendo all'esterno l'utensile inserito.

▲ AVVERTENZA Movimento/slittamento dell'utensile di inserimento

Dimensioni errate della bussola dell'utensile inserito possono causare perdita o slittamento dell'utensile durante il funzionamento. Rischio di lesioni gravi o di schiacciamento di mani e dita.

- ▶ Verificare che l'utensile di inserimento abbia una bussola che presenti la lunghezza e le dimensioni corrette per la macchina per cui è prevista.
- ▶ Non utilizzare mai un utensile di inserimento senza collare.

Funzionamento, precauzioni**▲ PERICOLO Rischio di esplosione**

Qualora l'utensile di inserimento venga a contatto con sostanze o gas esplosivi vi è il rischio di esplosioni. Quando si lavora e si usano determinati materiali possono verificarsi scintille e incendi. Eventuali esplosioni causerebbero lesioni gravi o morte.

- ▶ Non utilizzare la macchina in ambienti esplosivi.
- ▶ Non utilizzare mai la macchina in prossimità di materiali, vapori e polveri infiammabili.
- ▶ Accertarsi che non siano presenti fonti di gas o esplosivi non rilevati.

▲ AVVERTENZA Movimenti inattesi

L'utensile inserito è soggetto a notevoli sollecitazioni durante l'uso della macchina. Dopo un certo periodo di utilizzo l'utensile inserito può rompersi in seguito all'usura. In caso di rottura o di blocco dell'utensile inserito, potrebbe verificarsi un movimento improvviso o inaspettato con possibile rischio di lesioni. Perdite di equilibrio o scivolamenti, inoltre, possono provocare gravi lesioni personali.

- ▶ Operare sempre in posizione stabile, con i piedi allargati parallelamente alle spalle e con il peso del corpo ben bilanciato.
- ▶ Ispezionare sempre l'attrezzatura prima dell'uso. Non utilizzare l'attrezzatura se si sospetta che sia danneggiata.
- ▶ Accertarsi che le impugnature siano pulite e prive di olio e grasso.
- ▶ Tenere lontani i piedi dall'utensile inserito.
- ▶ Afferrare saldamente la macchina con entrambe le mani.
- ▶ Non avviare mai la macchina quando questa si trova coricata al suolo.
- ▶ Non "arrampicarsi" mai sulla macchina appoggiando un piede sull'impugnatura.
- ▶ Non colpire né utilizzare impropriamente l'attrezzatura.
- ▶ Verificare regolarmente che l'utensile di inserimento non sia usurato e controllarlo in caso di rischio di danni o rotture evidenti.
- ▶ Prestare sempre la massima attenzione durante il lavoro.

▲ **AVVERTENZA** Rischi correlati alla polvere e ai fumi

Polvere e/o fumi generati o dispersi quando si utilizza la macchina potrebbero provocare patologie respiratorie serie e permanenti, malattie, o altre lesioni corporee (ad esempio silicosi o altre patologie polmonari irreversibili che possono essere fatali, cancro, patologia neonatali, e/o infiammazioni cutanee).

Alcune polveri, fumi prodotti da perforazione, frantumazione, demolizione, taglio, rettifica e altre attività di costruzione, contengono sostanze note presso lo Stato della California e altre autorità come cancerogene e portatrici di patologie respiratorie, patologie neonatali o altri danni correlati alla riproduzione. Tra queste sostanze vi sono, a titolo esemplificativo:

- silice cristallina, cemento e altri prodotti per l'edilizia.
- Arsenico e cromo derivati da gomma trattata chimicamente.
- Vernici a base di piombo.

Polveri e fumi possono essere invisibili all'occhio nudo, quindi non affidarsi alla vista per determinare la presenza di polveri o fumi nell'aria.

Per ridurre il rischio di esposizione a polveri e fumi, agire come segue:

- ▶ Eseguire una valutazione del rischio specifica per il sito. La valutazione dei rischi deve includere le polveri e i fumi creati dall'impiego della macchina e il potenziale di disturbo delle polveri esistenti.
- ▶ Utilizzare controlli strutturali adeguati per ridurre al minimo la quantità di polveri e fumi nell'aria e per ridurre al minimo l'accumulo su attrezzatura, superfici e parti del corpo. Alcuni esempi di controlli sono: sistemi di ventilazione d'estrazione e di raccolta delle polveri, spruzzi d'acqua e perforazione a umido. Controllare polveri e fumi alla fonte, ove possibile. Accertarsi che questi controlli siano adeguatamente installati, sottoposti a manutenzione e utilizzati correttamente.
- ▶ Indossare, sottoporre a manutenzione e utilizzare correttamente protezioni della respirazione come indicato dal datore di lavoro e come richiesto dalle norme sulla sicurezza e la salute sul lavoro. Le protezioni delle vie respiratorie devono essere idonee alle sostanze in questione (e se applicabile, approvate dalle autorità governative incaricate).
- ▶ Lavorare in un'area ben ventilata.
- ▶ Se la macchina ha uno scarico, dirigerlo in modo tale da ridurre il disturbo delle polveri in un ambiente polveroso.
- ▶ Utilizzare e sottoporre a manutenzione la macchina come indicato nelle istruzioni per l'uso e al sicurezza.
- ▶ Selezionare, sottoporre a manutenzione e sostituire i prodotti di consumo/gli utensili inseriti/altri accessori come indicato nelle istruzioni per l'uso e al sicurezza. Una selezione errata o una scarsa manutenzione dei prodotti di consumo/degli utensili inseriti/di altri accessori può causare un inutile aumento di polveri e fumi.
- ▶ Indossare indumenti protettivi lavabili o monouso sul luogo di lavoro e fare la doccia e indossare indumenti puliti prima di lasciare il luogo di lavoro per ridurre l'esposizione alle polveri e ai fumi di se stesso e di altre persone, oltre che di automobili, abitazioni e altre aree.
- ▶ Non mangiare, bere né fare uso di prodotti a base di tabacco in presenza di polveri e fumi.
- ▶ Lavarsi appena possibile accuratamente le mani e il viso quando si esce dall'area di esposizione e sempre prima di mangiare, bere, usare prodotti del tabacco e di entrare in contatto con altre persone.
- ▶ Rispettare tutte le leggi e le normative applicabili, incluse quelle sulla sicurezza e la salute sul lavoro.
- ▶ Partecipare al monitoraggio dell'aria, alle visite mediche programmate e ai corsi di formazione sulla salute e e sulla sicurezza offerti dal proprio datore di lavoro o dall'azienda e in conformità con le normative e le raccomandazioni sulla sicurezza e la salute sul lavoro. Consultare medici esperti in medicina del lavoro.
- ▶ Lavorare con il proprio datore di lavoro e il sindacato per ridurre l'esposizione a polveri e fumi sul posto di lavoro e per ridurre i rischi. Sulla base dei consigli di esperti sulla sicurezza e sulla salute, definire e implementare programmi, politiche e procedure sulla sicurezza e la salute per proteggere i lavoratori e gli altri dall'esposizione pericolosa a polveri e fumi. Consultare gli esperti.
- ▶ I residui di sostanze pericolose sulla macchina possono costituire un rischio. Prima di intraprendere qualsiasi intervento di manutenzione sulla macchina, pulirla accuratamente.

▲ AVVERTENZA Proiettili

Guasti a livello dell'utensile, degli accessori o perfino della macchina stessa, possono generare proiettili ad alta velocità. Durante il funzionamento, schegge o altre particelle di materiale di lavoro possono trasformarsi in proiettili e causare lesioni fisiche, colpendo l'operatore o altre persone. Per ridurre tali rischi:

- ▶ Utilizzare dispositivi di protezione individuali e elmetto di sicurezza omologati, ad esempio occhiali di sicurezza resistenti agli urti con protezioni laterali.
- ▶ Assicurarsi che persone non autorizzate non si introducano nella zona di lavoro.
- ▶ Mantenere il luogo di lavoro privo di corpi estranei.
- ▶ Accertarsi che il pezzo da lavorare sia ben fissato.

▲ AVVERTENZA Pericolo di schegge

L'utilizzo dell'utensile di inserimento come strumento di percussione manuale può provocare la formazione di schegge che possono colpire l'operatore con conseguenti lesioni personali.

- ▶ Non utilizzare mai un utensile di inserimento come strumento di percussione manuale. Gli utensili di inserimento sono stati concepiti e termotrattati per essere impiegati esclusivamente all'interno di una macchina.

▲ AVVERTENZA Pericoli di scivolamento, inciampo e caduta

Esiste un rischio di scivolamento, inciampo e caduta per esempio inciampo sui cavi o su altri oggetti. Scivolamento, inciampo e caduta possono causare lesioni. Per ridurre tali rischi:

- ▶ Accertarsi sempre che non vi siano cavi o altri oggetti che ostacolano il cammino dell'utente o di altri.
- ▶ Operare sempre in posizione stabile, con i piedi allargati parallelamente alle spalle e con il peso del corpo ben bilanciato.

▲ AVVERTENZA Rischi correlati al movimento

Quando si utilizza la macchina per eseguire attività collegate al lavoro, potrebbe verificarsi fastidio a mani, braccia, spalle, collo o altre parti del corpo.

- ▶ Adottare una postura comoda mantenendo una presa sicura ed evitare strane posture sbilanciate.
- ▶ Il cambio di postura durante lavori prolungati può aiutare a ridurre il fastidio e la fatica.
- ▶ In caso di sintomi persistenti o ricorrenti, consultare un medico professionista qualificato.

▲ AVVERTENZA Rischi correlati alle vibrazioni

L'uso normale e corretto della macchina espone l'operatore a vibrazioni. Un'esposizione regolare e frequente alle vibrazioni può causare o aggravare, anche solo in parte, lesioni o disturbi a dita, mani, polsi, braccia, spalle e/o nervi e vasi sanguigni o altre parti del corpo dell'operatore, comprese lesioni o disturbi debilitanti e/o permanenti, che potrebbero svilupparsi gradualmente, nel corso di settimane, mesi o perfino anni. Tali lesioni o disturbi possono provocare danni al sistema circolatorio, al sistema nervoso, alle articolazioni e anche ad altre parti dell'organismo.

Se in un qualunque momento dovessero manifestarsi sintomi quali intorpidimento, fastidio prolungato e ricorrente, sensazione di bruciore, rigidità, formicolio, fitte, indebolimento della presa, dolore, pallore o altro, che si stia utilizzando la macchina o meno, interromperne l'uso e rivolgersi a un medico. La prosecuzione nell'utilizzo della macchina dopo il verificarsi di uno di tali sintomi aumenta il rischio che esso diventi più grave e/o permanente.

Far funzionare ed eseguire la manutenzione sulla macchina come raccomandato in queste istruzioni per impedire un aumento non necessario delle vibrazioni.

Per ridurre l'esposizione dell'operatore alle vibrazioni, adottare le seguenti precauzioni:

- ▶ Lasciare che sia l'attrezzo a eseguire il lavoro. Utilizzare una presa minima sufficiente a consentire un controllo corretto e un funzionamento sicuro.
- ▶ Se la macchina è dotata di impugnature ad assorbimento delle vibrazioni, tenerle in posizione centrale, evitando di premerle nei fermi terminali.
- ▶ Quando è attivato il meccanismo di percussione, il solo contatto che il corpo dell'operatore deve avere con la macchina è delle mani sull'impugnatura/impugnature. Evitare altro contatto, ad esempio addossando una parte del corpo alla macchina o appoggiandovisi per aumentare la forza di avanzamento. Inoltre è importante mantenere il dispositivo di avviamento e di arresto non innestato durante l'estrazione dell'utensile dalla superficie di lavoro frantumata.
- ▶ Accertarsi che l'utensile montato sia stato sottoposto a corretta manutenzione (anche l'affilatura, se è un utensile di taglio), che non sia usurato e che sia delle dimensioni corrette. Utensili di inserimento sui quali non venga eseguita una corretta manutenzione, che siano usurati o di dimensioni errate impiegano più tempo a compiere un'operazione (quindi con un periodo maggiore di esposizione alle vibrazioni) e possono causare o contribuire a più alti livelli di esposizione alle vibrazioni.

- ▶ Interrompere immediatamente il lavoro se la macchina improvvisamente inizia a vibrare eccessivamente. Prima di riprendere il lavoro, individuare e rimuovere la causa dell'aumento delle vibrazioni.
- ▶ Non afferrare mai o toccare l'utensile inserito con la macchina in funzione.
- ▶ Partecipare a sorveglianza o monitoraggio sanitario, esami medici e programmi di formazione resi disponibili dal proprio datore di lavoro e quando richiesto dalla legge.
- ▶ Quando si lavora al freddo, indossare indumenti caldi e tenere sempre le mani calde e asciutte.
- ▶ L'aria di scarico è fortemente refrigerata e non deve venire a contatto con l'operatore. Direzionare sempre il tubo di scarico lontano dalle mani e dal corpo.

Vedere la "Dichiarazione in materia di rumore e vibrazioni" per quanto concerne la macchina, compresi i valori di vibrazione dichiarati. Queste informazioni si trovano al termine di queste istruzioni per la sicurezza e per l'uso.

- ◆ Nell'utilizzare la macchina, adottare la pressione dell'aria raccomandata. Una pressione dell'aria maggiore o inferiore può causare livelli più alti di vibrazioni.

▲ PERICOLO Pericolo elettrico

La macchina non è isolata elettricamente. In caso di contatto della macchina con l'elettricità possono derivarne lesioni personali gravi o morte.

- ▶ Non mettere mai in funzione la macchina vicino a cavi elettrici o ad altre fonti di elettricità.
- ▶ Accertarsi che non siano presenti cavi nascosti o altre sorgenti elettriche nella zona di lavoro.

▲ AVVERTENZA Pericoli correlati a oggetti nascosti

Durante il funzionamento, cavi e tubi nascosti possono provocare gravi lesioni personali.

- ▶ Prima del funzionamento, verificare la composizione del materiale della macchina.
- ▶ Accertarsi che non vi siano cavi e condutture nascosti, ad es. di elettricità, linee telefoniche, acqua, gas e acque di rifiuto, ecc.
- ▶ Qualora si sospetti che l'utensile inserito abbia urtato un oggetto nascosto, spegnere immediatamente la macchina.
- ▶ Accertarsi che non vi siano pericoli prima di continuare.

▲ AVVERTENZA Avviamento accidentale

L'avviamento accidentale della macchina può provocare gravi lesioni personali.

- ▶ Tenere lontane le mani dal dispositivo di avviamento ed arresto fino a quando l'operatore non è pronto ad avviare la macchina.
- ▶ Imparare come fermare la macchina in caso di emergenza.
- ▶ Rilasciare immediatamente il dispositivo di avviamento e arresto in caso di interruzione di corrente.
- ▶ Per il montaggio o lo smontaggio dell'utensile di inserimento disattivare l'alimentazione pneumatica, disaerare la macchina premendo il dispositivo di avvio e arresto e scollegare la macchina dalla sorgente di alimentazione.

▲ AVVERTENZA Rischio correlato al rumore

Elevati livelli di rumore possono causare una perdita dell'udito permanente e disabilitante, nonché altri problemi quali acufeni (fischi, ronzii, crepitii nelle orecchie). Per ridurre i rischi ed evitare qualsiasi inutile aumento dei livelli di rumore:

- ▶ La valutazione del rischio e l'implementazione di adeguati controlli sono fondamentali.
- ▶ Utilizzare e sottoporre a manutenzione la macchina come indicato nelle presenti istruzioni.
- ▶ Scegliere, sottoporre a manutenzione e sostituire l'utensile di inserimento come indicato nelle presenti istruzioni.
- ▶ Se la macchina è dotata di un silenziatore, assicurarsi che sia in posizione e in buone condizioni.
- ▶ Utilizzare sempre protezioni acustiche.
- ▶ Utilizzare materiale di smorzamento per evitare che i pezzi lavorati "suonino".

Manutenzione, precauzioni

▲ AVVERTENZA Modifica della macchina

Eventuali modifiche alla macchina possono causare lesioni personali all'operatore e ad altre persone.

- ▶ Non modificare mai la macchina. Le macchine modificate non sono coperte da garanzia o responsabilità sul prodotto.
- ▶ Utilizzare sempre ricambi, utensili d'inserimento ed accessori originali approvati dalla Atlas Copco.
- ▶ Sostituire immediatamente i pezzi danneggiati.
- ▶ Sostituire tempestivamente i componenti usurati.

▲ ATTENZIONE Utensile di inserimento caldo

La punta dell'utensile di inserimento potrebbe riscaldarsi e potrebbe affilarsi quando viene utilizzata. Il contatto con la punta può causare ustioni e tagli.

- ▶ Non toccare mai un utensile di inserimento quando è caldo o tagliente.
- ▶ Attendere che l'utensile di inserimento si sia raffreddato prima di eseguire qualsiasi intervento di manutenzione.

▲ AVVERTENZA Pericoli legati all'utensile di inserimento

L'azionamento accidentale del dispositivo di avvio e di arresto durante la manutenzione o l'installazione può causare lesioni gravi quando l'alimentazione è collegata.

- ▶ Non ispezionare, pulire, installare o rimuovere l'utensile di inserimento quando l'alimentazione è collegata.

Conservazione, precauzioni

- ◆ La macchina e gli utensili devono essere conservati in un luogo sicuro e fuori dalla portata dei bambini, chiuso a chiave.

Avvertenze

Per ridurre il rischio di lesioni gravi o morte, per se stessi o altre persone, prima di utilizzare la macchina leggere la sezione delle istruzioni sulla sicurezza che si trova nelle prime pagine di questo manuale.

Modello e funzioni

Queste istruzioni sono valide per il TEX 07PE.

Lo TEX 07PE è una macchina con un'impugnatura a D ergonomica antivibrazione, ideata per demolizione leggera e impiantistica. È possibile utilizzare la macchina sia orizzontalmente sia verticalmente. Non è consentito uso diverso da quello indicato.

Per scegliere l'utensile di inserimento corretto, fare riferimento all'elenco delle parti di ricambio.

Scelta del corretto demolitore pneumatico per una data mansione

La scelta di un demolitore pneumatico delle dimensioni corrette per la propria mansione è importante.

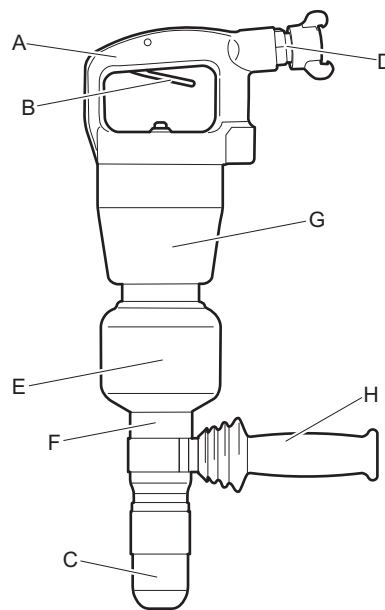
Se il demolitore pneumatico scelto è troppo piccolo, si impiegherà più tempo a eseguire il lavoro.

Un demolitore troppo grande dovrà essere riposizionato più spesso, comportando per l'operatore una fatica inutilmente maggiore.

Una semplice regola per la scelta di un demolitore pneumatico è verificare che un pezzo di normali dimensioni di materiale frantumato venga rimosso dal pezzo in lavorazione in 5-10 secondi.

- Se si impiega meno di 5 secondi, si deve selezionare un demolitore pneumatico più piccolo.
- Se si impiega più di 10 secondi si deve selezionare un demolitore pneumatico più grande.

Parti principali

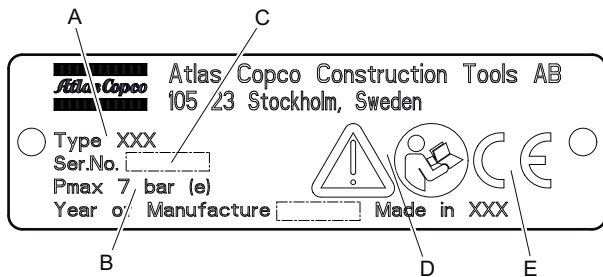


- A. Impugnatura
- B. Dispositivo di azionamento
- C. Trattenitore
- D. Ingresso aria
- E. Silenziatore
- F. Cilindro
- G. Alloggiamento
- H. Impugnatura anteriore (opzionale)

Etichette

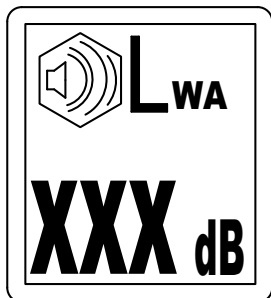
Sulla macchina sono apposte etichette contenenti informazioni importanti per la sicurezza dell'operatore e la manutenzione della macchina. Le condizioni delle etichette devono essere tali da consentirne una facile lettura. È possibile ordinare nuove etichette facendo riferimento all'elenco dei pezzi di ricambio.

Targhetta dei dati



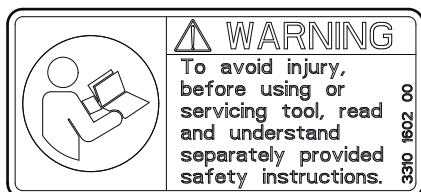
- A. Tipo di macchina
- B. Pressione pneumatica massima consentita
- C. Numero di serie
- D. Il simbolo di attenzione insieme al simbolo del libro indicano che occorre leggere le Istruzioni per la sicurezza e per l'uso quando ci si accinge a utilizzare la macchina per la prima volta.
- E. Il simbolo CE indica che la macchina è approvata dalla CE. Per ulteriori informazioni, consultare l'allegata dichiarazione CE. Se il simbolo CE manca, indica che la macchina non è approvata dalla CE.

Etichetta relativa al livello di rumore



L'etichetta indica l'indicatore di livello rumore garantito corrispondente alla direttiva CE 2000/14/CE. Vedere "Dati tecnici" per il livello di rumore preciso.

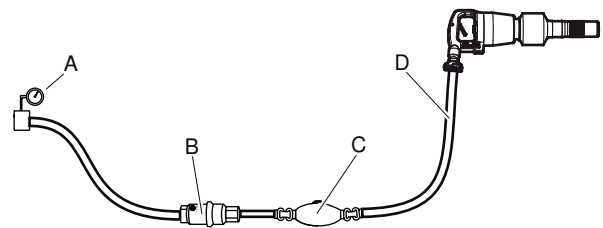
Etichetta di sicurezza



Per evitare lesioni, prima di usare o di effettuare la manutenzione su un utensile, leggere e comprendere le istruzioni di sicurezza fornite separatamente.

Installazione

Tubi e collegamenti



- A. Sorgente di aria compressa
 - B. Separatore di condensa (opzionale)
 - C. Lubrificatore (opzionale)
 - D. Tubo dell'aria compressa lungo max. 3 m (10 ft) tra il lubrificatore e la macchina.
- ◆ Verificare che si stia usando la corretta pressione operativa raccomandata, 6 bar (e) (87 psi).
 - ◆ La pressione massima consentita dell'aria compressa, 7 bar (e) (102 psi), non deve mai essere superata.
 - ◆ Soffiare via eventuali impurità dal tubo dell'aria compressa prima di collegarlo alla macchina.
 - ◆ Selezionare le dimensioni e la lunghezza corrette per il tubo dell'aria compressa. Per tubi di lunghezza superiore a 30 m (100 ft), usare un tubo con diametro minimo interno di 19 mm (3/4 in.). Se il tubo ha una lunghezza tra i 30 e i 100 m (i 100 e i 330 ft), usare un tubo con diametro interno minimo di 25 mm (1 in.).

Misure antigelo

La formazione di ghiaccio nel silenziatore si può verificare quando la temperatura ambiente è di 0–10°C (32–50 °F) e l'umidità relativa è alta.

La macchina è stata progettata in maniera tale da evitare la formazione di ghiaccio nel silenziatore. Malgrado ciò, in condizioni estreme è possibile che ciò accada.

Adottare le seguenti misure per evitare il rischio di formazione di ghiaccio:

- ◆ usare il lubrificante Atlas Copco Breaker and hammer AIR-OIL. Breaker and hammer AIR-OIL evita il rischio di congelamento.
- ◆ Usare un separatore di condensa.

Collegamento del separatore di condensa

Tra il compressore e il separatore di condensa utilizzare un tubo che abbia una lunghezza sufficiente a garantire che il vapore acqueo si raffreddi e si condensi nel tubo prima di raggiungere il separatore. Se la temperatura ambiente è inferiore a 0°C (32°F), il tubo deve essere sufficientemente corto per evitare il rischio di formazione di ghiaccio prima che l'acqua raggiunga il separatore di condensa.

Lubrificazione

Il lubrificante è importante per il funzionamento della macchina e ha un impatto significativo sulla sua durata utile. Se non c'è lubrificante integrato, collegare un lubrificante separato al tubo dell'aria. Per una buona lubrificazione, la lunghezza del tubo dell'aria tra il lubrificatore separato e il demolitore pneumatico non deve superare i 3 metri.

Usare un lubrificante sintetico quale AIR-OIL per demolitore e martello Atlas Copco o altro olio minerale avente le proprietà raccomandate nella tabella seguente.

Lubrificante	Intervallo di temperatura (°C)	Viscosità
AIR-OIL per demolitore e martello	da -30 a +50	-
Olio minerale/Olio sintetico	Da +15 a +50	ISO VG 46-68
Olio minerale/Olio sintetico	da -20 a +15	ISO VG 22-32

Utensile di inserimento

⚠ ATTENZIONE Utensile di inserimento caldo

La punta dell'utensile di inserimento potrebbe riscaldarsi e potrebbe affilarsi quando viene utilizzata. Il contatto con la punta può causare ustioni e tagli.

- ▶ Non toccare mai un utensile di inserimento quando è caldo o tagliente.
- ▶ Attendere che l'utensile di inserimento si sia raffreddato prima di eseguire qualsiasi intervento di manutenzione.

AVVISO Non raffreddare mai un utensile di inserimento caldo in acqua, potrebbe derivarne fragilità e rottura precoce.

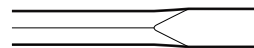
Selezione del corretto utensile di inserimento

La selezione dell'utensile di inserimento giusto è un requisito indispensabile per il corretto funzionamento della macchina. Per evitare danni alla macchina, è importante che l'utensile di inserimento scelto sia di alta qualità.

L'uso errato degli utensili di inserimento può distruggere la macchina.

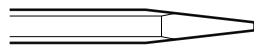
Gli utensili di inserimento raccomandati sono indicati nell'elenco delle parti di ricambio.

Scalpello stretto



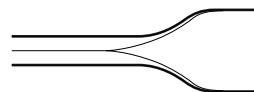
Lo scalpello stretto viene utilizzato per la demolizione o il lavoro di taglio nel cemento e in altri tipi di materiale duro.

Scalpello a punta universale



Lo scalpello a punta universale va utilizzato solo per creare fori nel calcestruzzo e in altri tipi di terreno duro.

Scalpello a lama larga

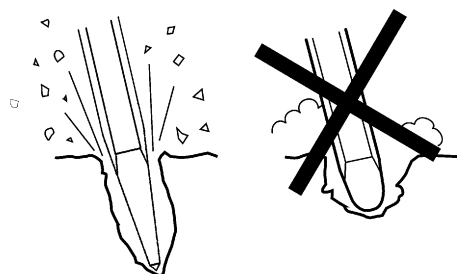


Lo scalpello a lama larga va utilizzato con materiali morbidi, quali l'asfalto e il terreno congelato.

⚠ AVVERTENZA Rischio correlato alle vibrazioni

Utensili inseriti che non soddisfano i criteri menzionati in seguito impiegano più tempo a compiere un'operazione e possono causare livelli più alti di esposizione alle vibrazioni. Un utensile usurato causa un tempo di lavorazione maggiore.

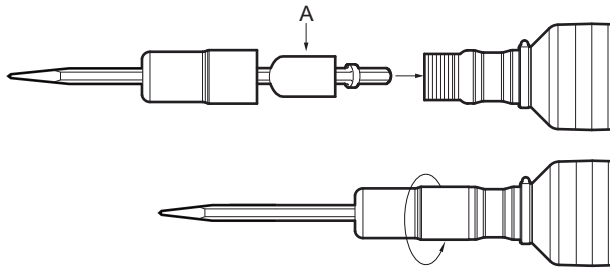
- ▶ Accertarsi che sull'utensile inserito venga eseguita una corretta manutenzione, che non sia usurato e che sia delle dimensioni corrette.
- ▶ Usare sempre un utensile affilato per poter lavorare in maniera efficace.



Montaggio e smontaggio dell'utensile di inserimento

Attendersi alle istruzioni indicate di seguito per il montaggio o lo smontaggio dell'utensile di inserimento:

- ◆ per impedire un avvio accidentale: disattivare l'alimentazione pneumatica e scollegare la macchina dalla sorgente di alimentazione. Spurgare la macchina premendo il dispositivo di avviamento e arresto.
- ◆ Prima di inserire un utensile, lubrificare il mandrino con grasso.
- ◆ Chiudere il trattenitore dell'utensile e verificare il funzionamento del blocco tirando con forza l'utensile inserito verso l'esterno.



1. Posizionare il cappuccio sul corpo esagonale dell'utensile di inserimento.
2. Far scivolare il silenziatore (A) sullo stelo utensile di inserimento.
3. Inserire l'utensile nel cilindro e avvitare il cappuccio sul cilindro fino a bloccarlo.

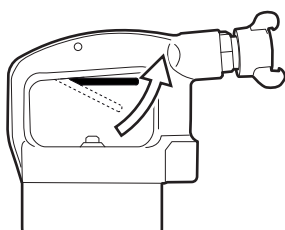
Funzionamento

▲ AVVERTENZA Avviamento accidentale

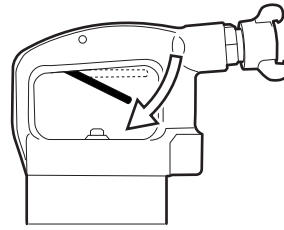
L'avviamento accidentale della macchina può provocare gravi lesioni personali.

- ▶ Tenere lontane le mani dal dispositivo di avviamento ed arresto fino a quando l'operatore non è pronto ad avviare la macchina.
- ▶ Imparare come fermare la macchina in caso di emergenza.
- ▶ Arrestare immediatamente la macchina in caso di interruzione di corrente.

Avviamento e arresto



Avviare la macchina premendo il dispositivo di azionamento e nel contempo mantenere saldamente l'impugnatura.

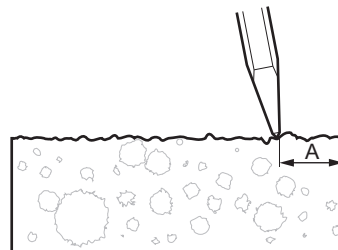


Arrestare la macchina rilasciando il dispositivo di azionamento. Questo torna automaticamente nella posizione di arresto.

Condizioni di esercizio

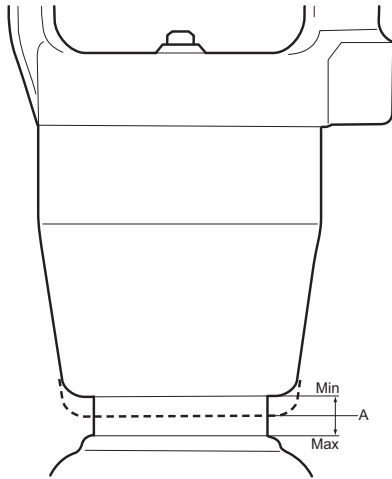
Avvio di un taglio

- ◆ Operare in posizione stabile, con i piedi ben lontani dall'utensile inserito.
- ◆ Puntare l'utensile sulla superficie di lavoro prima dell'avvio.
- ◆ Regolare la distanza dai bordi in modo che il demolitore possa fessurare il materiale senza romperlo.
- ◆ Non provare a rompere pezzi troppo grandi. Regolare la distanza di demolizione (A) in maniera tale che l'utensile inserito non si blocchi.



Demolizione

- ◆ Lasciare che sia la macchina a eseguire il lavoro; non esercitare una pressione eccessiva. L'impugnatura ergonomica ad assorbimento delle vibrazioni non deve essere assolutamente premuta completamente fino alla base.
- ◆ Per i demolitori pneumatici con impugnatura ad assorbimento delle vibrazioni: adattare la forza di avanzamento in modo che l'impugnatura sia premuta "a metà". Una frantumazione migliore con minori vibrazioni si ottiene in questa posizione.



- ◆ Evitare di lavorare materiali estremamente duri, ad es. granito e ferro per cemento armato (tondini per cemento armato), che potrebbero causare vibrazioni eccessive.
- ◆ Evitare qualunque forma di utilizzo a regime minimo, senza utensile di inserimento o con la macchina sollevata.
- ◆ Quando la macchina viene sollevata, non azionare il dispositivo di avviamento e arresto.
- ◆ Controllare regolarmente che la macchina sia ben lubrificata.

Durante le pause della lavorazione

- ◆ Durante le pause riporre la macchina in maniera tale che non vi sia rischio di azionamento involontario. Accertarsi di posizionare la macchina a terra in modo tale che non cada.
- ◆ Nel caso in cui la pausa sia lunga o quando si lascia il pezzo da lavorare: interrompere l'erogazione dell'alimentazione e spurgare la macchina attivando il dispositivo di avviamento e arresto.

Manutenzione

La manutenzione regolare è un requisito di base perché l'uso dell'utensile continui ad essere sicuro ed efficiente. Seguire attentamente le istruzioni per la manutenzione.

- ◆ Prima di iniziare la manutenzione sulla macchina, pulirla per evitare l'esposizione a sostanze pericolose. Vedere "Rischi correlati alla polvere e ai fumi"
- ◆ Utilizzare esclusivamente ricambi originali. Eventuali danni o guasti dovuti dall'uso di ricambi non originali non sono coperti da Garanzia o Responsabilità sul Prodotto.
- ◆ In caso di pulizia delle parti meccaniche con un solvente, rispettare tutte le norme di sicurezza vigenti e accertarsi che vi sia una ventilazione adeguata.
- ◆ Per la manutenzione completa della macchina, rivolgersi al proprio centro di assistenza autorizzato.
- ◆ Dopo ogni intervento, controllare che il livello di vibrazione della macchina sia normale. In caso contrario, contattare l'officina autorizzata di zona per ulteriori istruzioni.

Giornaliera

Prima di accingersi alla manutenzione o alla sostituzione dell'utensile di inserimento su macchine pneumatiche, disinserire sempre l'alimentazione dell'aria e spurgare la macchina premendo il dispositivo di avviamento e arresto. Quindi scollegare il tubo dell'aria dalla macchina.

- ◆ Pulire ed ispezionare la macchina e le sue funzioni ogni giorno prima di iniziare il lavoro.
- ◆ Controllare che il trattenitore dell'utensile non sia usurato e funzioni correttamente.
- ◆ Eseguire un'ispezione generale per verificare che non vi siano perdite o danni.
- ◆ Controllare che il nipplo dell'aria in ingresso sia serrato e che il raccordo a baionetta non sia danneggiato.
- ◆ Perché la macchina conservi i valori di vibrazione specificati, controllare sempre ciò che segue:
Un gioco eccessivo tra il mandrino dell'utensile di inserimento e il mandrino per bocciardatura causerà maggiori vibrazioni. Per evitare una eccessiva esposizione alle vibrazioni, controllare quotidianamente che il mandrino per bocciardatura non sia usurato;

- ◆ Se la macchina è dotata di impugnature ad assorbimento delle vibrazioni, controllare che si muovano liberamente (su e giù) e che non si incastrino.
- ◆ Sostituire immediatamente i pezzi danneggiati.
- ◆ Sostituire tempestivamente i componenti usurati.
- ◆ Assicurarsi che tutta l'attrezzatura, quali tubazioni, separatori d'acqua e lubrificatori, sia sottoposta a corretta manutenzione.

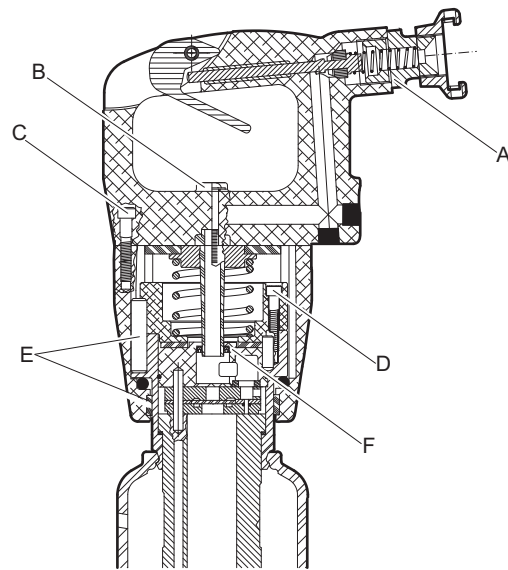
Manutenzione periodica

Dopo un periodo d'uso di circa 100 ore di impatto o tre volte all'anno, smontare la macchina, pulire e controllare tutti i componenti. Questo lavoro deve essere eseguito da personale autorizzato, addestrato a questo compito.

Come linea guida, per mantenere un'alta resa le parti presenti nella tabella non devono essere usurate oltre le dimensioni indicate. Si noti che lo TEX 07PE non ha un sistema ammortizzante pneumatico del pistone. Ciò significa che la capacità di ammortizzamento non si può usare per determinare l'usura di pistone e cilindro.

Parte	Diametro interno max (mm)	Diametro esterno min. (mm)
Cilindro	28,63	-
Pistone	-	28,50

Istruzioni per il montaggio



- A. Coppia: 88–95 Nm, usare Loctite® 243™ (Loctite è un marchio depositato di Henkel Corporation. 243 è un marchio commerciale di Henkel Corporation.)
- B. Coppia: 15–17 Nm, UNF 1/4" x 44 (1-3/4")
- C. Coppia: 15–17 Nm, UNC 1/4" x 32 (1-1/4")
- D. Coppia: 17 Nm, usare Loctite® 243™, M6 x 40 - 12.9
- E. Non lubrificare rulli di supporto, anelli antiusura o corrispondenti superfici di contatto.
- F. Rimuovere l'O-ring dalla tenuta prima del montaggio. L'O-ring funge semplicemente da supporto per assicurare che la tenuta conservi la forma corretta finché non è montata.

Ricerca dei guasti

Se la macchina non si avvia, ciò significa che la potenza è bassa o le prestazioni sono irregolari; controllare i seguenti punti:

- ◆ verificare che l'utensile di inserimento da usare abbia un mandrino con dimensioni corrette;
- ◆ verificare che la macchina abbia la corretta quantità di lubrificante; un eccesso di lubrificante causa problemi di avvio, potenza bassa o prestazioni irregolari.
- ◆ controllare che il sistema ad aria compressa fornisca alla macchina pressione d'aria sufficiente a una potenza completa;

- ◆ verificare che le dimensioni e la lunghezza del tubo dell'aria corrispondano a quelle raccomandate. Si veda "Installazione".
- ◆ In caso di rischio di congelamento, controllare che le porte di scarico della macchina non siano bloccate.
- ◆ se il funzionamento della macchina non è ancora soddisfacente in seguito a questa procedura, contattare un'officina di assistenza autorizzata.

Immagazzinamento

- Pulire bene la macchina prima del magazzinaggio per evitare la presenza di sostanze pericolose. Vedere "Rischi correlati alla polvere e ai fumi"
- Versare circa ½ oz (5 cl) di olio direttamente nel nipplo dell'aria in ingresso, collegare la macchina all'erogazione dell'aria compressa e metterla in funzione per alcuni secondi.
- Riporre sempre la macchina in un luogo asciutto.

Smaltimento

Una macchina usurata si deve trattare e smaltire in maniera tale che la maggior parte possibile di materiale possa essere riciclata e che eventuali influenze negative sull'ambiente vengano ridotte al minimo anche nel rispetto delle limitazioni locali.

Dati tecnici

Dati della macchina

Tipo	Dimensioni della bussola mm	Peso kg	Lunghezza mm	Freq. di battuta Hz	Consumo aria l/s
TEX 07PE	H19 x 50	8,7	525	29,5	17
TEX 07PE, con impugnatura anteriore	H19 x 50	9,0	525	29,5	17

Dichiarazione in materia di rumore e vibrazioni

Livello di potenza acustica garantito **L_w** conforme EN ISO 3744 ai sensi della direttiva 2000/14/CE.

Livello pressione sonora **L_p** ai sensi EN ISO 11203.

Valore vibrazioni **A** e incertezza **B** determinata secondo EN ISO 20643. Vedere la tabella "Dati di rumore e vibrazioni" per i valori di A, B, ecc.

I valori qui dichiarati sono stati ottenuti mediante test di laboratorio conformi alla direttiva o agli standard indicati e non sono idonei per confronto con i valori dichiarati di altri utensili testati sulla base della stessa direttiva o standard. Tali valori dichiarati non sono adeguati all'uso nelle valutazioni dei rischi e i valori misurati nei singoli luoghi di lavoro possono essere maggiori. I valori di esposizione e i rischi effettivi per ciascun singolo operatore sono unici e dipendono dalle modalità di lavoro dell'operatore, dal materiale con il quale si utilizza la macchina, oltre che dal tempo di esposizione, dalle condizioni fisiche dell'operatore e dalle condizioni della macchina.

Atlas Copco Construction Tools AB non può essere ritenuta responsabile delle conseguenze dell'utilizzo dei valori dichiarati - invece dei valori che riflettono l'esposizione effettiva - nella singola valutazione dei rischi di uno specifico posto di lavoro, sul quale Atlas Copco Construction Tools AB non ha controllo.

Questo utensile può causare una sindrome da vibrazioni mano-braccio se non utilizzato nella maniera idonea. Una guida EU per la gestione delle vibrazioni mano-braccio è reperibile all'indirizzo <http://www.humanvibration.com/humanvibration/EU/VIBGUIDE.html>

Raccomandiamo un programma di sorveglianza sanitaria per rilevare sintomi precoci che possano essere correlati con l'esposizione alle vibrazioni, in maniera tale che le procedure di gestione possano essere modificate per aiutare a prevenire invalidità future.

Ulteriori informazioni sulle vibrazioni

Queste informazioni sono fornite per agevolare una stima approssimativa del valore delle vibrazioni sul posto di lavoro.

L'emissione delle vibrazioni varia enormemente in base alla mansione e alla tecnica dell'operatore. Il valore di vibrazione dichiarato è correlato alle impugnature principali e livelli molto maggiori di vibrazione si possono verificare in posizioni della mano o in direzioni di misurazione diverse. Riteniamo che l'impiego normale dell'utensile produrrà generalmente emissioni di vibrazioni comprese tra C^{m/s^2} e E^{m/s^2} (valori totali di vibrazioni, come definito in EN ISO 5349-1) a seconda dell'operazione eseguita, ma per determinate applicazioni possono verificarsi emissioni al di fuori di questo intervallo.

Un valore pari a D^{m/s^2} e F^{m/s^2} è probabilmente un valore di emissione medio utile quando, ad esempio, si valutano approssimativamente esposizioni medie probabili di utenti che eseguono una vasta gamma di mansioni nell'ambito dell'uso di destinazione dell'utensile. Desideriamo sottolineare che l'applicazione dell'utensile a un'unica mansione specialistica può produrre un'emissione media differente e che in tali casi raccomandiamo fortemente una valutazione specifica dell'emissione di vibrazioni.

Dati su rumore e vibrazioni

Tipo	Rumore			Vibrazioni				
	Pressione sonora	Potenza suono		Valori tre assi				
	Valori dichiarati		Valori dichiarati		Ulteriori informazioni sulle vibrazioni			
	EN ISO 11203	2000/14/CE	EN ISO 20643		Cemento armato		Mattoni	
	Lp r=1m dB(A) rel 20µPa	Lw garantiti dB(A) rel 1pW	A media m/s ² valore	B media m/s ²	C media m/s ²	D media m/s ² med.	E media m/s ²	F media m/s ² med.
TEX 07PE Solo con impugnatura a D	87	104	12,4	1,7	9,0-11,9	10,5	7,9-10,0	9,0
TEX 07PE Con impugnatura a D e impugnatura anteriore	87	104	10,5	1,5	7,5-11,2	9,6	9,6-12,2	10,6

Dichiarazione di conformità CE

Dichiarazione di conformità CE (Direttiva CE 2006/42/CE)

Atlas Copco Construction Tools AB, con il presente documento dichiara che i macchinari elencati di seguito sono conformi ai requisiti specificati dalle Direttive CE 2006/42/CE (Direttiva macchine) e 2000/14/CE (Direttiva sul rumore), nonché agli standard armonizzati specificati di seguito.

Martelli picconatori pneumatici manuali	Livello di potenza sonora garantito [dB(A)]	Livello di potenza sonora misurato [dB(A)]	Pmax (bar)
TEX 07PE	104	98	7

Sono stati applicati i seguenti standard armonizzati:

- ◆ EN ISO 11148-4

Sono stati applicati i seguenti altri standard:

- ◆ Lloyds Register Quality Assurance, NoBo no.0088

Rappresentante autorizzato Documentazione Tecnica:

Per Forsberg

Atlas Copco Construction Tools AB

Dragonvägen 2

Kalmar

Vice Presidente Design e Sviluppo:

Erik Sigfridsson

Produttore:

Atlas Copco Construction Tools AB

105 23 Stockholm

Sweden

Luogo e data:

Kalmar, 2012-06-30

NEDERLANDS

Inhoud

Inleiding.....	129
Over de veiligheidsvoorschriften en bedieningshandleiding.....	129
Veiligheidsvoorschriften.....	130
Veiligheidssignaaltermen.....	130
Persoonlijke voorzorgsmaatregelen en kwalificaties.....	130
Persoonlijke veiligheidsuitrusting.....	130
Drugs, alcohol of medicijnen.....	130
Installatie, voorzorgsmaatregelen.....	130
Bediening, voorzorgsmaatregelen.....	131
Onderhoud, voorzorgsmaatregelen.....	136
Opslag, voorzorgsmaatregelen.....	136
Overzicht.....	137
Ontwerp en functie.....	137
Kiezen van de juiste pneumatische sloophamer voor een werkopdracht.....	137
Hoofdonderdelen.....	137
Stickers.....	137
Gegevensplaatje.....	138
Sticker geluidsniveau.....	138
Veiligheidssticker.....	138
Installatie.....	138
Slangen en aansluitingen.....	138
Methoden om bevriezing te voorkomen.....	138
Aansluiten van een waterafscheider.....	139
Smering.....	139
Inzetgereedschap.....	139
Selecteren van het juiste inzetgereedschap.....	139
Smalle beitel.....	139
Beitel met stompe punt.....	139
Beitel met breed blad.....	139
Plaatsen en verwijderen van het inzetgereedschap.....	140
Bediening.....	140
Starten en stoppen.....	140
Bediening.....	140
Maken van de eerste snede.....	140
Breken.....	141
Bij een pauze.....	141
Onderhoud.....	141
Iedere dag.....	141
Periodiek onderhoud.....	142
Montagevoorschriften.....	142
Oplossen van storingen.....	142
Opslag.....	143
Opruimen.....	143
Technische gegevens.....	144
Machinegegevens.....	144
Geluids- en trillingsverklaring.....	144
Aanvullende trillingsinformatie.....	144

Geluids- en trillingsgegevens	145
EG Conformiteitsverklaring	146
EG Conformiteitsverklaring (EG-richtlijn 2006/42/EG)	146

Inleiding

Dank u voor het kiezen van een product van Atlas Copco. Sinds 1873 zetten we ons al in voor het vinden van nieuwe en betere manieren om te voorzien in de behoeften van onze klanten. Door de jaren heen hebben we innovatieve en ergonomische producten ontwikkeld die onze klanten hielpen hun dagelijkse werkzaamheden te verbeteren en te rationaliseren.

Atlas Copco beschikt over een sterk wereldwijd verkoop- en servicenetwerk, bestaand uit klantencentra en distributeurs over de gehele wereld. Onze experts zijn hoog opgeleide professionals met uitgebreide productkennis en praktijkervaring. In alle uithoeken van de wereld kunnen we productondersteuning en expertise bieden, om ervoor te zorgen dat onze klanten op ieder moment kunnen werken met maximale efficiëntie.

Bezoek voor meer informatie: www.atlascopco.com

Atlas Copco Construction Tools AB
105 23 Stockholm
Sweden

Over de veiligheidsvoorschriften en bedieningshandleiding

Het doel van de voorschriften is u te voorzien van de kennis van hoe het op een efficiënte en veilige wijze gebruiken van de pneumatische breekhamer. De voorschriften geven u ook advies en vertellen u hoe u regelmatig onderhoud aan de pneumatische breekhamer moet uitvoeren.

Voordat u de pneumatische breekhamer voor het eerst gaat gebruiken, moet U deze voorschriften zorgvuldig lezen en zorgen dat u alles begrijpt.

Veiligheidsvoorschriften

Om het risico van ernstig letsel of zelfs overlijden voor uzelf of anderen te beperken, dient u deze Veiligheidsvoorschriften en bedieningshandleiding te hebben gelezen en begrepen voordat u de machine installeert, in gebruik neemt, repareert, onderhoudt of accessoires van de machine vervangt.

Hang deze Veiligheidsvoorschriften en bedieningshandleiding op bij werkplekken, zorg voor kopieën voor werknemers en verzeker u ervan dat iedereen de Veiligheidsvoorschriften en bedieningshandleiding heeft gelezen alvorens de machine te gebruiken of te onderhouden.

Bovendien dient de gebruiker, of de werkgever van de gebruiker, de specifieke risico's te beoordelen, die verbonden kunnen zijn aan de desbetreffende toepassing van de machine.

Veiligheidssignaaltermen

De veiligheidssignaaltermen Gevaar, Waarschuwing en Voorzichtig hebben de volgende betekenissen:

GEVAAR

Duidt op een gevaarlijke situatie die, indien deze niet wordt vermeden, de dood of ernstig letsel tot gevolg zal hebben.

WAARSCHUWING

Duidt op een gevaarlijke situatie die, indien deze niet wordt vermeden, de dood of ernstig letsel tot gevolg kan hebben.

VOORZICHTIG

Duidt op een gevaarlijke situatie die, indien deze niet wordt vermeden, gering of middelzwaar letsel tot gevolg kan hebben.

Persoonlijke voorzorgsmaatregelen en kwalificaties

De machine mag uitsluitend worden bediend en onderhouden door hiertoe gekwalificeerde en opgeleide personen. Ze dienen fysiek in staat te zijn om de massa, het gewicht en de kracht van het gereedschap aan te kunnen. Gebruik altijd uw gezond verstand en beoordelingsvermogen.

Persoonlijke veiligheidsuitrusting

Gebruik altijd goedgekeurde beschermende uitrusting. Operators en alle andere personen binnen het werkgebied moeten beschermende uitrusting dragen, minimaal bestaand uit:

- Veiligheidshelm
- Gehoorbescherming
- Slagvaste oogbescherming met zijwaartse bescherming
- Bescherming van de luchtwegen indien van toepassing
- Veiligheidshandschoenen
- Geschikte veiligheidsschoenen/laarzen
- Een geschikte werkoverall of soortgelijke kleding (niet loszittend) die uw armen en benen bedekt.

Drugs, alcohol of medicijnen

▲ WAARSCHUWING Drugs, alcohol of medicijnen

Drugs, alcohol en medicijnen kunnen uw beoordelings- en concentratievermogen beïnvloeden. Een gebrekkig reactievermogen en onjuiste beoordelingen kunnen leiden tot ernstige ongevallen of zelfs de dood.

- ▶ Gebruik de machine nooit als u vermoeid bent of onder de invloed van drugs, alcohol of medicijnen.
- ▶ Geen enkele persoon die onder de invloed is van drugs, alcohol of medicijnen mag de machine bedienen.

Installatie, voorzorgsmaatregelen

▲ GEVAAR Zwiependе luchtslang

Een persluchtslang die is losgekomen, kan rondslaan en persoonlijk letsel of de dood veroorzaken. Neem de volgende voorzorgsmaatregelen om dit risico te beperken:

- ▶ Controleer de persluchtslang en de koppelingen op beschadiging en vervang ze indien vereist.
- ▶ Controleer of alle persluchtkoppelingen goed bevestigd zijn.
- ▶ Draag pneumatische machines nooit aan de luchtslang.
- ▶ Probeer nooit een persluchtslang die onder druk staat te ontkoppelen. Zet eerst de perslucht af aan de compressor en ontluicht vervolgens de machine door de start- en stopvoorziening te bedienen.

- ▶ Gebruik geen snelkoppelingen aan de inlaat van het gereedschap. Gebruik slangkoppelingen met schroefdraad van gehard staal (of materiaal met een vergelijkbare schokweerstand).
- ▶ Bij gebruik van universele draaikoppelingen (klauwkoppelingen) adviseren we om altijd vergrendelingspennen te monteren en veiligheidskabels (whipcheck) te gebruiken, ter bescherming tegen eventuele defecten aan de aansluiting van slang op gereedschap en van slang op slang.

▲ GEVAAR Lucht onder druk

Lucht die onder hoge druk de huid raakt kan binnendringen en ernstig persoonlijk letsel of overlijden veroorzaken.

- ▶ Sluit altijd de luchttoevoer, afvoerslang of luchtdruk en ontkoppel de machine van de luchttoevoer, wanneer deze niet wordt gebruikt, voordat u accessoires wisselt of reparaties uitvoert.
- ▶ Richt een persluchtslang nooit op uzelf of iemand anders. Om het risico van letsel te vermijden dient u nooit perslucht te gebruiken om bijvoorbeeld stof, vuil, enz., van uw kleding te verwijderen.

▲ WAARSCHUWING Uitgeworpen inzetgereedschap

Als de gereedschapshouder op de machine niet in de vergrendelde stand staat, kan het inzetgereedschap met kracht worden uitgeworpen, wat persoonlijk letsel kan veroorzaken.

- ▶ Nooit de machine starten tijdens het verwisselen van het inzetgereedschap.
- ▶ Voordat u inzetgereedschappen of accessoires vervangt: zet de machine af, schakel de persluchttoevoer uit en ontlucht de machine door de start- en stopvoorziening te bedienen.
- ▶ Richt het inzetgereedschap nooit op u zelf of iemand anders.
- ▶ Zorg ervoor dat het inzetgereedschap volledig in de houder is geplaatst en dat de gereedschapshouder in de vergrendelde stand staat, voordat de machine wordt gestart.
- ▶ Controleer de vergrendelingsfunctie door het inzetgereedschap met kracht naar buiten te trekken.

▲ WAARSCHUWING Bewegend / slippend inzetgereedschap

Een onjuiste afmeting van de steel van het inzetgereedschap kan erin resulteren dat het inzetgereedschap verloren raakt of eruit glijdt tijdens het gebruik. Risico van ernstig letsel of verbrijzelde handen en vingers.

- ▶ Controleer of het inzetgereedschap beschikt over de steellengte en de afmetingen waarvoor de machine is bedoeld.
- ▶ Gebruik nooit een inzetgereedschap zonder kraag.

Bediening, voorzorgsmaatregelen

▲ GEVAAR Explosiegevaar

Als een inzetgereedschap in contact komt met explosieven of explosieve gassen, kan een explosie plaatsvinden. Bij werk aan bepaalde materialen en bij toepassing van bepaalde materialen in machineonderdelen, kunnen vonken en ontvlaming optreden. Explosies zullen leiden tot ernstig letsel of zelfs de dood.

- ▶ Gebruik de machine nooit in een explosieve omgeving.
- ▶ Gebruik de machine nooit in de nabijheid van ontvlambare materialen, gassen of stof.
- ▶ Controleer of er geen ongedetecteerde gasbronnen of explosieven zijn.

▲ WAARSCHUWING Onverwachte bewegingen

Het inzetgereedschap wordt blootgesteld aan hevige spanningen als de machine wordt gebruikt. Het inzetgereedschap kan na een bepaalde gebruiksduur breken op grond van vermoeiing. Als het inzetgereedschap breekt of vast gaat zitten, kan dit onverwachte bewegingen tot gevolg hebben, die letsel kunnen veroorzaken. Bovendien kan letsel worden veroorzaakt als u uw evenwicht verliest of uitglijdt.

- ▶ Zorg ervoor dat uw positie altijd stabiel is, met uw voeten zover van elkaar als uw schouders breed zijn, en houd uw lichaamsgewicht in balans.
- ▶ Inspecteer de apparatuur altijd voordat u hem gaat gebruiken. Gebruik de apparatuur nooit als u vermoedt dat hij beschadigd is.
- ▶ Zorg ervoor dat de handgrepen schoon en vrij van vet en olie zijn.
- ▶ Houd uw voeten uit de buurt van het inzetgereedschap.
- ▶ Sta stevig en houd de machine altijd met beide handen vast.

- ▶ Start de machine nooit als hij op de grond ligt.
- ▶ “Rijd” onder geen beding op de machine, met een been over de handgreep.
- ▶ Sla nooit op de apparatuur en gebruik hem niet op oneigenlijke wijze.
- ▶ Controleer het inzetgereedschap regelmatig op slijtage en controleer het op tekenen schade en zichtbare barsten.
- ▶ Wees oplettend en kijk goed wat u doet.

▲ WAARSCHUWING Gevaren van stof en damp

Stof en/of dampen die worden ontwikkeld of vrijkomen tijdens het gebruik van de machine, kunnen ernstige en permanente ademhalingsaandoeningen, ziekten of ander lichamelijk letsel veroorzaken (zoals silicose (stoflong) of andere chronische en mogelijk fatale longziekten, kanker, geboorteafwijkingen en/of huidontstekingen).

Bepaalde stofdeeltjes en dampen, die geproduceerd worden bij boren, slopen, hameren, zagen, slijpen en andere bouwactiviteiten, bevatten stoffen die volgens de Staat Californië en andere overheden ziekten van de ademhalingswegen, kanker, geboorteafwijkingen of andere voortplantingsstoringen veroorzaken. Voorbeelden van dergelijke stoffen zijn:

- kristalsilicaat, cement en andere metselwerkproducten.
- Arseniek en chroom van chemisch behandeld rubber.
- Lood van op lood gebaseerde verfstoffen.

De in de lucht aanwezige stof en dampen kunnen met het blote oog onzichtbaar zijn. Vertrouw daarom niet op uw gezichtsvermogen om te bepalen of de lucht stof of dampen bevat.

Neem de volgende voorzorgsmaatregelen om het gevaar van blootstelling aan stof en dampen te reduceren:

- ▶ Voer een risicobeoordeling uit die specifiek is voor de werkplek. Deze risicobeoordeling dient rekening te houden met stof en dampen die door de machine worden geproduceerd en met de mogelijkheid dat reeds aanwezig stof opwervelt.
- ▶ Gebruik geschikte constructiemiddelen om de hoeveelheid stof en dampen in de lucht en stofvorming op apparatuur, oppervlakken, kleding en lichaamsdelen tot een minimum te reduceren. Voorbeelden van dergelijke middelen zijn: uitlaatventilatie en stofopvangsystemen, waterspray en nat boren. Beperk de vorming van stof en dampen zo veel mogelijk bij hun bronnen. Zorg ervoor dat zulke hulpmiddelen naar behoren worden geïnstalleerd en onderhouden.
- ▶ Draag, onderhoud en gebruik alle luchtwegbeschermingsmiddelen correct volgens de aanwijzingen van uw werkgever en de wettelijke ARBO-voorschriften. De luchtwegbeschermingsmiddelen moeten doelmatig zijn voor het stoftype in kwestie (en, indien van toepassing, zijn goedgekeurd door de desbetreffende overheidsinstantie).
- ▶ Werk in een goed geventileerde ruimte.

- ▶ Als de machine een uitlaat heeft: richt de uitlaat dusdanig dat het opwervelen van stof in stoffige omgevingen zo goed mogelijk wordt voorkomen.
- ▶ Bedien en onderhoud de machine volgens de Veiligheidsvoorschriften en bedieningshandleiding.
- ▶ Kies, onderhoud en vervang verbruiksartikelen, inzetgereedschappen en andere accessoires volgens de aanbevelingen in de Veiligheidsvoorschriften en bedieningshandleiding. Een foutieve keuze en gebrekkig onderhoud van verbruiksartikelen, inzetgereedschappen en andere accessoires, kunnen resulteren in een nodeloze toename van de hoeveelheid stof en/of dampen.
- ▶ Draag ter bescherming op de werkplek wasbare kleding of wegwerpkleding. Neem een douche en trek schone kleren aan voordat u de werkplek verlaat om blootstelling aan stof en dampen van uzelf en anderen, auto's, woningen en andere plekken te reduceren.
- ▶ Eet en drink niet en gebruik geen tabaksproducten op plaatsen waar stof of dampen aanwezig zijn.
- ▶ Was uw handen en gezicht zo snel mogelijk na het verlaten van een plaats van blootstelling en altijd voordat u eet, drinkt of tabaksproducten gebruikt en voordat u in contact komt met andere mensen.
- ▶ Neem alle toepasselijke wettelijke voorschriften en bepalingen in acht, met inbegrip van de ARBO-voorschriften.
- ▶ Neem deel aan de door uw werkgever of werknemersorganisatie georganiseerde activiteiten op het gebied van luchtbewaking, medisch onderzoek en ARBO-cursussen, in overeenstemming met de geldende gezondheids- en veiligheidsvoorschriften en -adviezen. Raadpleeg artsen met ervaring van beroepsgerelateerde geneeskunde.
- ▶ Werk samen met uw werkgever en werknemersorganisatie om blootstelling aan stof en dampen op de werkplek tegen te gaan en de risico's hiervan te reduceren. Effectieve programma's ter bevordering van de gezondheid en veiligheid, evenals procedures voor de bescherming van werknemers en anderen tegen schadelijke blootstelling aan stof en dampen dienen te worden opgesteld en geïmplementeerd op basis van adviezen van gezondheids- en veiligheidsdeskundigen. Raadpleeg deskundigen.
- ▶ Resten van gevaarlijke stoffen op de machine kunnen een risico vormen. Reinig de machine grondig voordat u enige onderhoudswerkzaamheden uitvoert.

▲ WAARSCHUWING Projectielen

Als werkstukken, accessoires of de machine zelf stukgaan, kan dit tot gevolg hebben dat er projectielen met hoge snelheid vrijkomen. Tijdens het gebruik kunnen splinters of andere deeltjes van het materiaal waarmee wordt gewerkt projectielen worden en persoonlijk letsel veroorzaken, doordat ze de gebruiker of andere personen raken. Neem de volgende voorzorgsmaatregelen om dit risico te beperken:

- ▶ Gebruik goedgekeurde persoonlijke beschermingsmiddelen en een veiligheidshelm, inclusief een stootvaste oogbescherming met zijdelingse bescherming.
- ▶ Zorg ervoor dat onbevoegde personen geen toegang hebben tot het werkgebied.
- ▶ Houd de werkplek vrij van vreemde voorwerpen.
- ▶ Verzeker u ervan dat werkstukken stevig en veilig bevestigd zijn.

▲ WAARSCHUWING Gevaren van splinters

Als men inzetgereedschappen gebruikt om er met de hand mee te slaan, kan dit tot gevolg hebben dat de gebruiker door splinters getroffen wordt, wat persoonlijk letsel kan veroorzaken.

- ▶ Gebruik inzetgereedschappen onder geen beding om er met de hand mee te slaan. Ze hebben een speciaal ontwerp en warmtebehandeling, die uitsluitend bedoeld zijn voor gebruik in een machine.

▲ WAARSCHUWING Gevaren van uitglijden, struikelen en vallen

Het risico van uitglijden, struikelen en vallen is aanwezig, bij voorbeeld dat men over slangen of andere voorwerpen struikelt. Uitglijden, struikelen en vallen kunnen lichamelijk letsel veroorzaken. Neem de volgende voorzorgsmaatregelen om dit risico te beperken:

- ▶ Zorg er altijd voor dat er geen slangen en andere voorwerpen voor uzelf en voor anderen in de weg liggen.
- ▶ Zorg er altijd voor dat u stabiel staat – met uw voeten zover uit elkaar als uw schouders breed zijn – en met uw lichaamsgewicht in evenwicht.

▲ WAARSCHUWING Gevaren van bewegingen

Als u de machine gebruikt voor werkgerelateerde activiteiten, kunt u ongemak ervaren in uw handen, armen, schouders, nek en andere lichaamsdelen.

- ▶ Neem een comfortabele werkhouding aan, met uw voeten in een veilige stand en vermijd ongemakkelijke houdingen uit evenwicht.
- ▶ Het wisselen van houding tijdens langdurige taken kan helpen om ongemak en vermoeidheid te voorkomen.
- ▶ Raadpleeg bij aanhoudende of herhaalde symptomen een gekwalificeerde gezondheidswerker.

▲ WAARSCHUWING Gevaren van trillingen

Normaal en correct gebruik van de machine stelt de operator bloot aan trillingen. Regelmatige en frequente blootstelling aan trillingen kan letsel veroorzaken. Het kan ertoe bijdragen dat aandoeningen ontstaan of verergeren aan de vingers, handen, armen, polsen, schouders en/of zenuwen, en aan de bloedtoevoer of andere lichaamsdelen van de operator. Verzwakking en/of blijvend letsel of aandoeningen kunnen zich ook geleidelijk voordoen in de loop van weken, maanden of jaren. Dergelijk letsel en aandoeningen kunnen ook omvatten: schade aan de bloedsomloop, schade aan het zenuwstelsel, schade aan gewrichten evenals mogelijke schade aan andere lichaamsdelen.

Als ongevoeligheid, aanhoudend lichamelijk ongemak, brandend gevoel, stijfheid, kloppen, tintelen, pijn, onhandigheid, een verzwakte grip, verbleking van de huid of andere symptomen op welk moment dan ook optreden tijdens het bedienen van de machine of tijdens het niet bedienen van de machine: ga niet weer met de machine aan de slag, maar informeer uw werkgever en zoek medische hulp. Als u de machine blijft gebruiken nadat zich een dergelijk symptoom heeft voorgedaan, kan dit het risico verhogen dat de symptomen ernstiger en/of blijvend worden.

Gebruik en onderhoud de machine volgens de aanbevelingen in deze handleiding om nodeloze toename van trillingen te voorkomen.

De volgende aandachtspunten kunnen helpen om de blootstelling aan trillingen van de operator te reduceren:

- ▶ Laat het gereedschap het werk doen. Gebruik een minimale handgrip, strokend met een degelijke controle en veilige bediening.
- ▶ Als de machine trillingsabsorberende handgrepen heeft: houd deze in een centrale positie en druk de handgrepen niet in de eindstopstanden.
- ▶ Als u het slagmechanisme hebt geactiveerd, is het enige lichamelijke contact dat u met de machine dient te hebben, via uw handen op de handgreep/handgrepen. Vermijd enig ander contact, bijv. het steunen van lichaamsdelen tegen de machine of het leunen op de machine om te proberen meer kracht te zetten. Het is ook belangrijk dat de start- en stopvoorziening niet ingeschakeld is als u het gereedschap uit het gebroken werkoppervlak verwijdt.

- ▶ Zorg ervoor dat het inzetgereedschap goed wordt onderhouden (inclusief de scherpte, als het een snijdend gereedschap is), niet versleten is en van de juiste afmeting. Bij gebruik van inzetgereedschappen die niet goed zijn onderhouden, die versleten zijn of niet de juiste afmetingen hebben, duurt het langer om een karwei af te maken (en wordt men dus langer blootgesteld aan trillingen) en het kan tevens resulteren in, of bijdragen aan hogere niveaus van blootstelling aan trillingen.
- ▶ Stop onmiddellijk met werken als de machine plotseling hevig begint te trillen. Voordat u het werk weer oppakt, eerst de oorzaak van de verhoogde trillingen vinden en wegnemen.
- ▶ Het inzetgereedschap nooit vastpakken, vasthouden of aanraken zo lang u de machine gebruikt.
- ▶ Neem deel aan programma's voor gezondheidsbewaking of controle, medisch onderzoek en aan de opleidingen die u worden aangeboden door uw werkgever en als die wettelijk vereist zijn.
- ▶ Draag bij werk in een koude omgeving warme kleding en houd uw handen warm en droog.
- ▶ De uitlaatlucht is uiterst gekoeld en mag niet in contact komen met de operator. Richt de uitlaatlucht altijd uit de buurt van handen en lichaam.

Zie de "Geluids- en trillingsverklaring" voor de machine, met inbegrip van de vermelde trillingswaarden. Deze informatie vindt u aan het eind van de Veiligheidsvoorschriften en bedieningshandleiding.

- ◆ Zorg dat de luchtdruk is zoals aanbevolen als u de machine gebruikt. Zowel een hogere als een lagere luchtdruk kan mogelijk resulteren in hogere trillingniveaus.

▲ GEVAAR Elektrisch gevaar

De machine is niet elektrisch geïsoleerd. Als de machine in contact komt met elektriciteit, kan dat leiden tot ernstig letsel of de dood.

- ▶ De machine nooit bedienen in de buurt van een elektriciteitskabel of een andere elektriciteitsbron.
- ▶ Verzeker u ervan dat er geen sprake is van verborgen bedrading of andere elektriciteitsbronnen binnen het werkterrein.

▲ WAARSCHUWING Gevaar van een verborgen object

Tijdens het gebruik kunnen verborgen kabels en buizen een gevaar vormen dat kan resulteren in ernstig letsel.

- ▶ Controleer de samenstelling van het materiaal voordat u aan de slag gaat.
- ▶ Kijk uit voor verborgen kabels en buizen van b.v. elektriciteit, telefoon, water, gas en riolen etc.
- ▶ Als het inzetgereedschap een verborgen object geraakt lijkt te hebben, zet de machine dan onmiddellijk af.
- ▶ Verzeker u ervan dat er geen gevaar dreigt voordat u verder gaat.

▲ WAARSCHUWING Onbedoeld starten

Als de machine per abuis wordt gestart, kan dit letsel veroorzaken.

- ▶ Houd uw handen weg van de start- en stopvoorziening totdat u gereed bent om de machine te starten.
- ▶ Leer hoe u de machine in noodgevallen uitschakelt.
- ▶ Laat de start- en stopvoorziening altijd onmiddellijk los zodra de voeding uitvalt.
- ▶ Voordat u het inzetgereedschap monteert of verwijderd: schakel eerst de luchtoevoer uit, ontlucht de machine door de start- en stopvoorziening in te drukken en ontkoppel de machine uit.

▲ WAARSCHUWING Gevaar door geluid

Hoge geluidsniveaus kunnen permanent en schadelijk gehoorverlies veroorzaken, evenals andere klachten, zoals tinnitus (rinkelen, zoemen, fluiten of gonzen in de oren). Neem de volgende voorzorgsmaatregelen om de risico's te verminderen en nodeloos hoge geluidsniveaus te voorkomen:

- ▶ Een risicobeoordeling van deze gevaren en adequate voorzorgsmaatregelen zijn van essentieel belang.
- ▶ Bedien en onderhoud de machine volgens deze aanwijzingen.
- ▶ Kies, onderhoud en vervang het inzetgereedschap volgens deze aanwijzingen.
- ▶ Als de machine een geluidsdemper heeft: controleer of hij aanwezig is en in goede bedrijfsstaat verkeert.
- ▶ Draag altijd een gehoorbescherming.
- ▶ Gebruik geluiddempend materiaal om te voorkomen dat de werkstukken gaan "galmen".

Onderhoud, voorzorgsmaatregelen

▲ WAARSCHUWING Modificeren van de machine

Iedere modificatie van de machine kan resulteren in lichamelijk letsel voor u zelf of anderen.

- ▶ Modificeer de machine onder geen beding. Gemodificeerde machines worden niet gedekt door de garantie of productaansprakelijkheid.
- ▶ Gebruik uitsluitend originele onderdelen, inzetgereedschappen en accessoires die zijn goedgekeurd door Atlas Copco.
- ▶ Vervang beschadigde onderdelen onmiddellijk.
- ▶ Vervang versleten componenten op tijd.

▲ VOORZICHTIG Heet inzetgereedschap

De punt van het inzetgereedschap kan tijdens het gebruik heet en scherp worden. Aanraken kan in brand- en snijletsel resulteren.

- ▶ Raak hete inzetgereedschappen onder geen beding aan.
- ▶ Wacht tot het inzetgereedschap is afgekoeld alvorens onderhoudswerkzaamheden uit te voeren.

▲ WAARSCHUWING Gevaren van inzetgereedschappen

Als de start- en stopvoorziening tijdens onderhoud of montage per abuis wordt bediend, kan dit ernstig letsel veroorzaken als de voeding is aangesloten.

- ▶ Inspecteer, reinig, monteer en verwijder inzetgereedschappen onder geen beding met aangesloten voeding.

Opslag, voorzorgsmaatregelen

- ◆ Bewaar de machine en gereedschappen op een veilige plaats, buiten het bereik van kinderen en achter slot en grendel.

Overzicht

Om het risico van ernstig letsel of overlijden voor u zelf of anderen te reduceren, dient u voordat u de machine gaat gebruiken de Veiligheidsvoorschriften te lezen, die u vindt op de voorgaande pagina's van dit handboek.

Ontwerp en functie

Deze handleiding geldt voor de TEX 07PE.

De TEX 07PE is een machine met een trillingsdempende D-handgreep, geconstrueerd voor lichte sloop- en installatiewerkzaamheden. De machine kan zowel horizontaal als verticaal worden gebruikt. Ander gebruik is niet toegestaan.

Zie voor de keuze van het juiste inzetgereedschap de reserveonderdelenlijst.

Kiezen van de juiste pneumatische sloophamer voor een werkopdracht

Het is belangrijk de juiste afmeting van de pneumatische hamer te kiezen voor de werkzaamheden die moeten worden uitgevoerd.

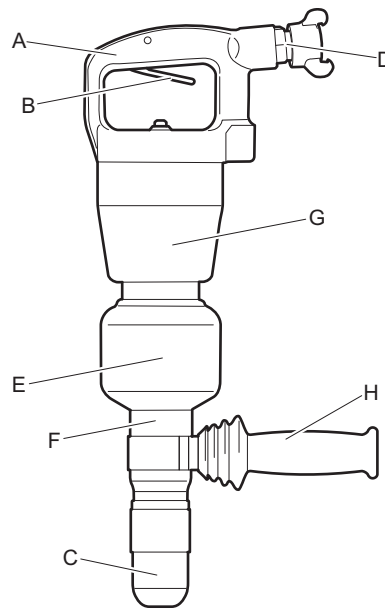
Een pneumatische hamer die te klein is, betekent dat het werk langer duurt.

Een hamer die te groot is, betekent dat deze vaak opnieuw moet worden gepositioneerd, hetgeen onnodig vermoeiend is voor de operator.

Een simpele regel voor het kiezen van de juiste afmeting van de pneumatische hamer is dat een stuk afgebroken materiaal van normale afmetingen van het te bewerken stuk moet zijn verwijderd binnen 5-10 seconden.

- Als het minder dan 5 seconden kost, moet een kleinere pneumatische hamer worden gekozen.
- Als het meer dan 10 seconden kost, moet een grotere pneumatische hamer worden gekozen.

Hoofdonderdelen

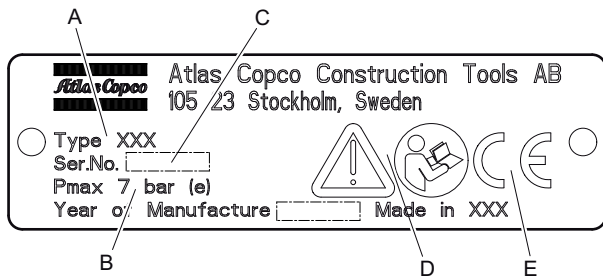


- A. Handgreep
- B. Trekker
- C. Gereedschapshouder
- D. Luchtinlaat
- E. Demper
- F. Cilinder
- G. Behuizing
- H. Voorste handgreep (optioneel)

Stickers

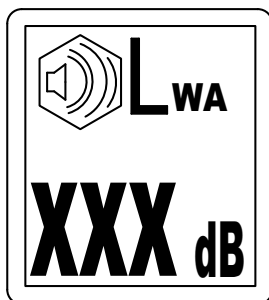
De machine is voorzien van stickers met belangrijke informatie over persoonlijke veiligheid en machineonderhoud. De stickers moeten in dusdanige staat zijn, dat ze makkelijk leesbaar zijn. Nieuwe stickers kunt u bestellen uit de reserveonderdelenlijst.

Gegevensplaatje



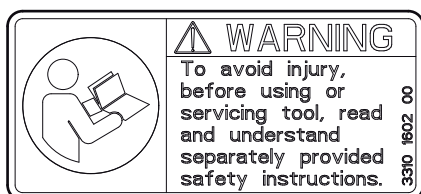
- A. Machinetype
- B. Maximaal toegestane luchtdruk
- C. Serienummer
- D. Het waarschuwingssymbool samen met het boeksymbool betekent dat de gebruiker de Veiligheidsvoorschriften en de bedieningshandleiding moet lezen voordat de machine voor het eerst wordt gebruikt.
- E. Het CE-symbool betekent dat de machine een EG-goedkeuring heeft. Zie de bij de machine geleverde EG-verklaring voor meer informatie. Als het CE-symbool ontbreekt, betekent dit dat de machine geen EG-goedkeuring heeft.

Sticker geluidsniveau



De sticker geeft aan dat de gegarandeerde geluidsniveau-indicator correspondeert met EU-richtlijn 2000/14/EG. Zie "Technische gegevens" voor het exacte geluidsniveau.

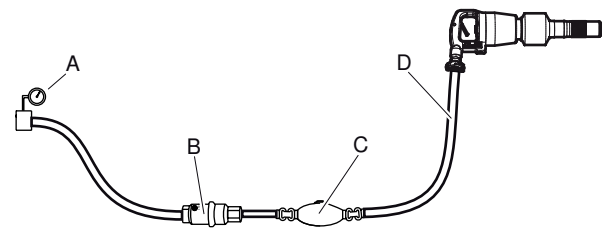
Veiligheidssticker



Om letsel te voorkomen, dient u de afzonderlijke veiligheidsvoorschriften te hebben gelezen en begrepen voordat u gereedschappen gebruikt of onderhoudt.

Installatie

Slangen en aansluitingen



- A. Persluchtbron
 - B. Waterafscheider (optioneel)
 - C. Smeerapparaat (optioneel)
 - D. Max. 3 m (10 ft) persluchtslang tussen het smeerapparaat en de machine.
- ♦ Controleer of u de juiste aanbevolen werkdruk, 6 bar (e) (87 psi) gebruikt.
 - ♦ De maximaal toegestane luchtdruk van 7 bar (e) (102 psi) mag niet worden overschreden.
 - ♦ Blaas eventuele onzuiverheden uit de persluchtslang voordat u hem aansluit op de machine.
 - ♦ Kies de juiste afmeting en lengte voor de persluchtslang. Voor slanglengten tot 30 m (100 ft) moet een slang met een inwendige diameter van 19 mm (3/4 in.) worden gebruikt. Als de slanglengte tussen 30 en 100 m (100 en 330 ft) ligt, moet een slang met een inwendige diameter van minstens 25 mm (1 in.) worden gebruikt.

Methoden om bevriezing te voorkomen

Ijsvorming in de geluiddemper kan ontstaan als de omgevingstemperatuur 0-10°C (32-50 °F) is en de relatieve vochtigheid hoog is.

De machine is geconstrueerd om ijsvorming in de geluiddemper te voorkomen. Desondanks kan zich onder extreme omstandigheden ijs vormen in de geluiddemper.

Neem de volgende maatregelen om het risico van ijsvorming verder tegen te gaan:

- ♦ Gebruik Atlas Copco Breaker and hammer AIR-OIL als smeermiddel. Breaker and hammer AIR-OIL gaat bevriezing tegen.
- ♦ Gebruik een waterafscheider.

Aansluiten van een waterafscheider

De lengte van de slang tussen de compressor en de waterafscheider moet zodanig zijn dat de waterdamp wordt gekoeld en condenseert in de slang voordat de waterafscheider wordt bereikt.

Als de omgevingstemperatuur lager is dan 0 °C (32 °F) moet de slang kort genoeg zijn om te voorkomen dat het water beviest voordat het de waterafscheider bereikt.

Smering

Het smeermiddel is belangrijk voor de werking van de machine en is van grote invloed op zijn levensduur. Als een ingebouwd smeerapparaat ontbreekt, sluit u een extern smeerapparaat aan op de luchtslang. Om een goede smering te garanderen, mag de luchtslang tussen het externe smeerapparaat en de pneumatische machine hoogstens 3 meter lang zijn.

Gebruik een synthetisch smeermiddel, zoals Atlas Copco AIR-OIL of minerale olie met de eigenschappen die in onderstaande tabel worden aanbevolen.

Smeermiddel	Temperatuur bereik (°C)	Viscositeit
AIR-OIL voor breek- en hamergereedschappen	-30 tot +50	-
Minerale olie/synthetische olie	+15 tot +50	ISO VG 46-68
Minerale olie/synthetische olie	-20 tot +15	ISO VG 22-32

Inzetgereedschap

▲ VOORZICHTIG Heet inzetgereedschap

De punt van het inzetgereedschap kan tijdens het gebruik heet en scherp worden. Aanraken kan in brand- en snijletsel resulteren.

- ▶ Raak hete inzetgereedschappen onder geen beding aan.
- ▶ Wacht tot het inzetgereedschap is afgekoeld alvorens onderhoudswerkzaamheden uit te voeren.

LET OP Koel hete inzetgereedschappen nooit af in water aangezien dit in broosheid en vroegtijdige defecten kan resulteren.

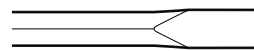
Selecteren van het juiste inzetgereedschap

Het selecteren van het juiste inzetgereedschap is een voorwaarde voor een goede werking van de machine. Het is belangrijk inzetgereedschappen van hoge kwaliteit te selecteren om onnodige machineschade te vermijden.

De machine kan worden vernield als u een onjuist inzetgereedschap gebruikt.

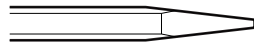
De aanbevolen inzetgereedschappen worden opgesomd in de reserveonderdelenlijst voor de machine.

Smalle beitel



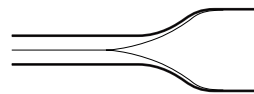
De smalle beitel wordt gebruikt voor sloop- en snijwerkzaamheden in beton en andere typen hard materiaal.

Beitel met stompe punt



De beitel met stompe punt mag alleen worden gebruikt voor het maken van gaten in beton en andere typen harde grond.

Beitel met breed blad

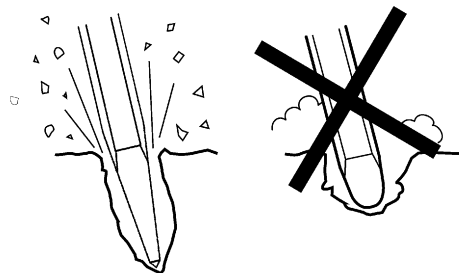


De beitel met breed blad mag alleen worden gebruikt in zacht materiaal, zoals asfalt en bevroren grond.

▲ WAARSCHUWING Gevaar van trillingen

Het gebruiken van inzetgereedschappen die niet voldoen aan de hieronder genoemde criteria, zal ertoe leiden dat het langer duurt een karwei te voltooien en kan resulteren in hogere niveaus van blootstelling aan trillingen. Een versleten gereedschap veroorzaakt ook een langere werktijd.

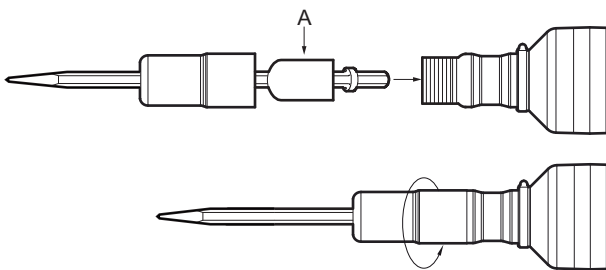
- ▶ Controleer of het inzetgereedschap goed onderhouden is, niet versleten en van de juiste afmetingen.
- ▶ Gebruik altijd een scherp gereedschap om efficiënt te werken.



Plaatsen en verwijderen van het inzetgereedschap

Voor het plaatsen/verwijderen van het inzetgereedschap dient men de volgende aanwijzingen in acht te nemen:

- ◆ Om onbedoelde starten te voorkomen: zet de luchttoevoer af en schakel de elektrische voeding van de machine uit. Ontlucht de machine door de start- en stopvoorziening in te drukken.
- ◆ Smeer, voordat u een inzetgereedschap plaatst, de gereedschapssteel eerst met vet.
- ◆ Sluit de gereedschapshouder en controleer de vergrendelfunctie door het geplaatste gereedschap er abrupt uit te rukken.



1. Plaats de kap over het zeshoekige lichaam van het inzetgereedschap.
2. Plaats de buffer (A) over de steel van het inzetgereedschap.
3. Steek het inzetgereedschap in de cilinder en schroef de kap op de cilinder tot deze is vergrendeld.

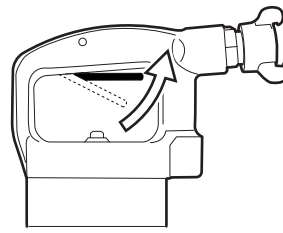
Bediening

▲ WAARSCHUWING Onbedoeld starten

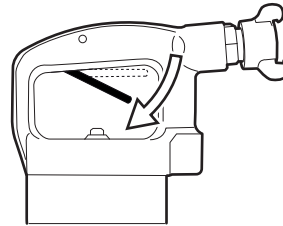
Als de machine per abuis wordt gestart, kan dit letsel veroorzaken.

- ▶ Houd uw handen weg van de start- en stopvoorziening totdat u gereed bent om de machine te starten.
- ▶ Leer hoe u de machine in noodgevallen uitschakelt.
- ▶ Zet de machine altijd onmiddellijk uit als de voeding uitvalt.

Starten en stoppen



Start de machine door in de trekker te knijpen terwijl u de handgreep stevig vasthoudt.

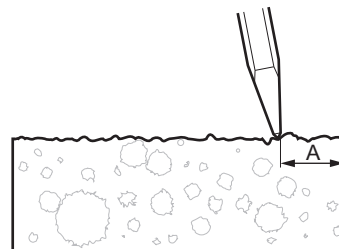


Stop de machine door de trekker los te laten. De trekker keert automatisch terug naar de stoppositie.

Bediening

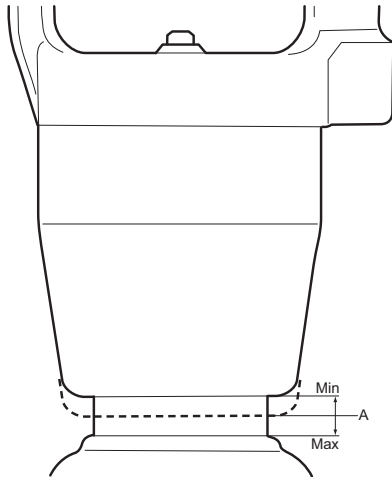
Maken van de eerste snede

- ◆ Ga in een stabiele positie staan, met uw voeten uit de buurt van het inzetgereedschap.
- ◆ Druk de machine tegen het werkkoppervlak voordat u begint.
- ◆ Zet aan en begin te bikken op een zodanige afstand van de rand dat de machine het materiaal zonder hefboomkracht kan breken.
- ◆ Nooit proberen te grote stukken af te bikken. Stel de breekafstand (A) zo af dat het inzetgereedschap niet vast gaat zitten.



Breken

- ◆ Laat de machine het werk doen; druk niet te hard. De trillingsdempende handgreep mag onder geen beding helemaal tot aan de basis omlaag worden gedrukt.
- ◆ Op pneumatische machines met trillingsdempende handgrepen zijn de volgende aandachtspunten van toepassing: De kracht moet zo worden aangepast dat de handgreep “halverwege” wordt ingedrukt. De beste trillingsdemping en het beste breekvermogen wordt bereikt bij deze stand.



- ◆ Vermijd werk aan buitensporig harde materialen, zoals graniet en betonstaal (wapingsijzer) die krachtige trillingen kunnen veroorzaken.
- ◆ Iedere vorm van stationair draaien, draaien zonder inzetgereedschap of werken met een opgetilde machine dient te worden vermeden.
- ◆ Als de machine is opgetild, mag de start- en stopvoorziening niet worden bediend.
- ◆ Controleer regelmatig of de machine goed wordt gesmeerd.

Bij een pauze

- ◆ Tijdens pauzes moet u de machine altijd op een plaats leggen waar geen risico bestaat dat hij per abuis wordt gestart. Plaats de machine altijd op de grond zodat hij niet kan vallen.
- ◆ Neem de volgende voorzorgsmaatregelen bij langere pauzes of als u de werkplek verlaat: Zet de voeding af en ontlucht de machine vervolgens door de start- en stopvoorziening te bedienen.

Onderhoud

Regelmatig onderhoud is een basisvereiste voor een blijvend veilig en doelmatig gebruik van de machine. Volg de onderhoudsaanwijzingen zorgvuldig.

- ◆ Reinig de machine voordat u begint met onderhoud, om blootstelling aan gevaarlijke stoffen te voorkomen. Zie: “Gevaaren van stof en damp”
- ◆ Gebruik alleen originele onderdelen. Schade of defecten die veroorzaakt zijn door het gebruik van niet-originele onderdelen, worden niet gedekt door onze garantie of productaansprakelijkheid.
- ◆ Neem voor het reinigen van mechanische onderdelen met oplosmiddelen de toepasselijke gezondheids- en veiligheidsbepalingen in acht en controleer of er voldoende ventilatie is.
- ◆ Voor grote servicewerkzaamheden aan de machine, neemt u contact op met de dichtstbijzijnde erkende werkplaats.
- ◆ Controleer na servicewerkzaamheden altijd of het trillingsniveau van de machine normaal is. Neem contact op met uw plaatselijke erkende werkplaats als dit niet het geval is.

Iedere dag

Voordat u begint met onderhoud of het inzetgereedschap van pneumatische machines vervangt: schakel altijd de luchttoevoer uit en ontlucht de machine door de start- en stopvoorziening in te drukken. Maak de luchtslang vervolgens los van de machine.

- ◆ Reinig en inspecteer de machine en zijn functies dagelijks voor aanvang van het werk.
- ◆ Controleer de gereedschapshouder op slijtage en werking.
- ◆ Verricht een algemene inspectie op lekkage en schade.
- ◆ Controleer of de luchtinlaatnippel is aangehaald en of de klauwkoppeling intact is.
- ◆ Om er zeker van te zijn dat de machine de gespecificeerde trillingswaarden behoudt, moet altijd het volgende worden gecontroleerd:
Een te grote speling tussen de steel van het inzetgereedschap en de beitelbus zal meer trillingen veroorzaken. Om blootstelling aan buitensporige trillingen te vermijden, moet u de beitelbus iedere dag controleren op slijtage.

- ◆ Als de machine trillingsabsorberende hendel/hendels heeft: controleer of hij onbelemmerd beweegt (omhoog en omlaag) en niet vastloopt.
- ◆ Vervang beschadigde onderdelen onmiddellijk.
- ◆ Vervang versleten componenten op tijd.
- ◆ Zorg ervoor dat alle bevestigde onderdelen en randapparatuur, zoals slangen, afscheiders en smeerapparaten, goed worden onderhouden.

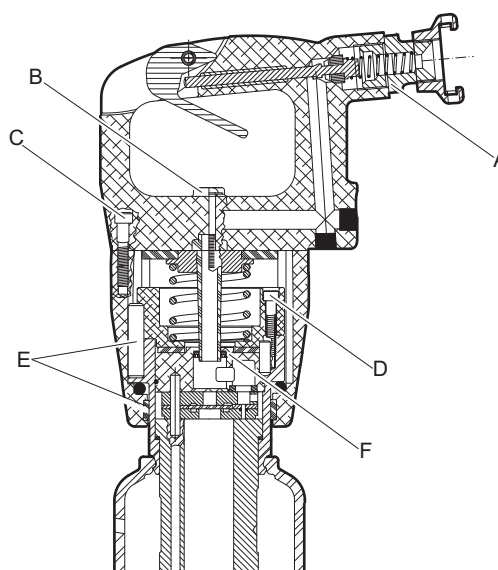
Periodiek onderhoud

Na iedere gebruikperiode van ongeveer 100 slaguren of drie keer per jaar moet de machine worden ontmanteld en moeten alle onderdelen worden gereinigd en gecontroleerd. Dit werk moet worden uitgevoerd door bevoegd personeel dat is opgeleid voor deze taak.

Als richtlijn, om een hoog rendement te behouden, mogen de onderdelen in de tabel niet meer versleten zijn dan de vermelde afmetingen. Denk eraan dat de TEX 07PE niet beschikt over luchtkussendemping van de zuiger. Dit betekent dat het dempvermogen niet kan worden gebruikt om de mate van slijtage van zuiger en cilinder te bepalen.

Onderdeel	Max. binnendiameter (mm)	Min. buitendiameter (mm)
Cilinder	28,63	-
Zuiger	-	28,50

Montagevoorschriften



- A. Koppel: 88–95 Nm, gebruik Loctite® 243™ (Loctite is een geregistreerd handelsmerk van de Henkel Corporation. 243 is een handelsmerk van de Henkel Corporation.)
- B. Koppel: 15–17 Nm, UNF 1/4" x 44 (1-3/4")
- C. Koppel: 15–17 Nm, UNC 1/4" x 32 (1-1/4")
- D. Koppel: 17 Nm, gebruik Loctite® 243™, M6 x 40 - 12.9
- E. Smeer niet de steunrollen, de slijtring of corresponderende contactvlakken.
- F. Verwijder de O-ring van de afdichting voor de montage. De O-ring is alleen een steun om te verzekeren dat de afdichting de juiste vorm behoudt tot deze wordt gemonteerd.

Oplossen van storingen

Als de pneumatische machine niet start, te weinig vermogen levert of onregelmatig presteert: controleer de volgende punten:

- ◆ Controleer of het gebruikte inzetgereedschap een steel met de juiste afmetingen heeft.
- ◆ Controleer of de pneumatische machine de juiste hoeveelheid smeermiddel krijgt. Te veel smering kan resulteren in startproblemen, een laag vermogen of onregelmatige prestaties.
- ◆ Controleer of het persluchtstelsel de machine van voldoende luchtdruk voorziet om het hoogste vermogen te kunnen leveren.

- ◆ Controleer of de afmeting en de lengte van de luchtslang conform de aanbevelingen zijn. Zie onder "Installatie".
- ◆ Als de kans van bevrozing bestaat: controleer of de uitlaatpoorten van de machine niet geblokkeerd zijn.
- ◆ Als de machine na deze procedure nog steeds niet goed werkt: neem contact op met een erkende werkplaats.

Opslag

- Reinig de machine grondig voordat u hem opbergt om blootstelling aan gevaarlijke stoffen te vermijden. Zie: "Gevaren van stof en damp"
- Giet ongeveer ½ oz (5 cl) olie direct in de luchtinlaatnippel, sluit de machine aan op de perslucht en start hem een paar seconden.
- Sla de machine altijd op een droge plaats op.

Opruimen

Een verbruikte machine moet dusdanig worden verwerkt en verwijderd dat het grootst mogelijke deel van het materiaal kan worden gerecycled, dat negatieve effecten op het milieu tot een minimum worden beperkt en met inachtneming van plaatselijke restricties.

Technische gegevens

Machinegegevens

Type	Steelfmeting mm	Gewicht kg	Lengte mm	Slagfrequentie Hz	Luchtverbruik l/s
TEX 07PE	H19 x 50	8,7	525	29,5	17
TEX 07PE, met handgreep vooraan	H19 x 50	9,0	525	29,5	17

Geluids- en trillingsverklaring

Gegarandeerd geluidsvermogensniveau **L_w** conform EN ISO 3744 in overeenstemming met richtlijn 2000/14/EG. Geluidsdrukniveau **L_p** volgens EN ISO 11203.

Trillingswaarde **A** en onzekerheid **B** bepaald volgens EN ISO 20643. Zie de tabel "Geluids- en trillingsgegevens" voor de waarden van A, B, enz.

Deze verklaarde waarden zijn verkregen d.m.v. een laboratoriumtest overeenkomstig de vermelde richtlijn of normen en ze zijn geschikt voor een vergelijking met de verklaarde waarden van andere gereedschappen die zijn getest overeenkomstig dezelfde richtlijn of normen. Deze verklaarde waarden zijn niet geschikt voor gebruik bij risicobeoordelingen en de waarden die worden opgemeten op individuele werkplekken kunnen hoger zijn. De werkelijke blootstellingswaarden en het risico van letsel zoals ervaren door een individuele gebruiker, zijn uniek en afhankelijk van de manier waarop de gebruiker werkt, in welk materiaal de machine wordt gebruikt, en ook van de blootstellingstijd, de fysieke conditie van de gebruiker en de conditie van de machine.

Wij, Atlas Copco Construction Tools AB, kunnen niet aansprakelijk worden gesteld voor de gevolgen van het gebruik van de verklaarde waarden in plaats van de waarden die de werkelijke blootstelling weerspiegelen, in een individuele risicobeoordeling in een werkplaatssituatie waarover we geen controle hebben.

Dit gereedschap kan een trillingssyndroom in handen en armen veroorzaken als het gebruik ervan niet adequaat wordt geregeld. Een handleiding van de EU voor het beheer van hand-arm-trillingen is beschikbaar op: <http://www.humanvibration.com/humanvibration/EU/VIBGUIDE.html>

Wij bevelen de implementatie van een gezondheidscontroleprogramma aan om in een vroegtijdig stadium symptomen te kunnen ontdekken, die mogelijk gerelateerd zijn aan de blootstelling aan trillingen, zodat de beheersprocedures ter preventie van toekomstige stoornissen kunnen worden aangepast.

Aanvullende trillingsinformatie

Deze informatie dient als hulp bij het inschatten van de trillingswaarden op de werkplek.

De trillingswaarde varieert aanzienlijk, afhankelijk van de werktaak en werktechniek van de gebruiker. De vermelde trillingswaarde betreft de hoofdhandgreep/hoofdhandgrepen, maar op andere handposities kunnen de trillingsniveaus aanzienlijk hoger liggen. We gaan ervan uit dat het gereedschap bij normaal bedoeld gebruik trillingen produceert binnen een bereik van C^{m/s^2} en E^{m/s^2} (totale trillingswaarden, zoals gedefinieerd in EN ISO 5349-1) afhankelijk van de kenmerken van de werktaak, maar dat de trillingswaarden bij bepaalde toepassingen buiten dit bereik kunnen komen.

De waarden D^{m/s^2} en F^{m/s^2} vormen een emissiegemiddelde dat zich waarschijnlijk goed leent tot het maken van een ruwe schatting van de blootstelling voor gebruikers die – binnen het bedoeld gebruik van het gereedschap – uiteenlopende taken verrichten. Wij wijzen erop dat toepassing van het gereedschap voor één speciale taak een ander emissiegemiddelde kan produceren. In zulke gevallen adviseren we met klem om een specifieke evaluatie van de trillingsemissie te verrichten.

Geluids- en trillingsgegevens

Type	Geluid		Trilling					
	Geluidsdruk	Geluids vermogen	Waarden drie assen					
			Verklaarde waarden		Aanvullende trillingsinformatie			
	EN ISO 11203	2000/14/EG	EN ISO 20643		Beton		Baksteen	
	Lp r=1m dB(A) rel 20µPa	Lw gegarandeerd dB(A) rel 1pW	A m/s ² waarde	B m/s ² reik wijdten	C m/s ² bereik	D m/s ² gem.	E m/s ² bereik	F m/s ² gem.
TEX 07PE Met alleen D- handgreep	87	104	12,4	1,7	9,0-11,9	10,5	7,9-10,0	9,0
TEX 07PE Met D- handgreep en handgreep vooraan	87	104	10,5	1,5	7,5-11,2	9,6	9,6-12,2	10,6

EG Conformiteitsverklaring

EG Conformiteitsverklaring (EG-richtlijn 2006/42/EG)

Wij, Atlas Copco Construction Tools AB, verklaren hierbij onder geheel eigen verantwoordelijkheid dat de hieronder vermelde machines in overeenstemming zijn met de eisen van de richtlijnen 2006/42/EG (Machinerichtlijn) en 2000/14/EG (Richtlijn geluidsemissie) en met de hieronder vermelde geharmoniseerde normen.

Handbediende pneumatische bikhammers	Gegarandeerd geluidsvermogeniveau [dB(A)]	Opgemeten geluidsvermogeniveau [dB(A)]	Pmax (bar)
TEX 07PE	104	98	7

De volgende geharmoniseerde normen werden toegepast:

- ◆ EN ISO 11148-4

De volgende andere normen werden toegepast:

- ◆ Lloyds Register Quality Assurance, NoBo no.0088

Gemachtigde vertegenwoordiger technische documentatie:

Per Forsberg
 Atlas Copco Construction Tools AB
 Dragonvägen 2
 Kalmar

Vice President Design and Development:

Erik Sigfridsson

Producent:

Atlas Copco Construction Tools AB
 105 23 Stockholm
 Sweden

Plaats en datum:

Kalmar, 2012-06-30

ΕΛΛΗΝΙΚΑ

Περιεχόμενα

Εισαγωγή.....	151
Σχετικά με τις Οδηγίες Ασφάλειας και Χειρισμού.....	151
Οδηγίες ασφαλείας.....	152
Λέξεις σημάτων ασφαλείας.....	152
Προσωπικές προφυλάξεις και πιστοποιήσεις.....	152
Ατομικός προστατευτικός εξοπλισμός.....	152
Ναρκωτικά, αλκοόλ, φάρμακα.....	152
Εγκατάσταση, προφυλάξεις.....	152
Χειρισμός, προφυλάξεις.....	153
Συντήρηση, προφυλάξεις.....	158
Φύλαξη, προφυλάξεις.....	158
Επισκόπηση.....	159
Σχεδιασμός και λειτουργία.....	159
Επιλογή της κατάλληλης αερόσφυρας για μία εργασία.....	159
Κύρια μέρη.....	159
Ετικέτες.....	159
Πινακίδα δεδομένων.....	160
Ετικέτα στάθμης θορύβου.....	160
Ετικέτα ασφαλείας.....	160
Εγκατάσταση.....	160
Εύκαμπτοι σωλήνες και συνδέσεις.....	160
Μέθοδοι αποφυγής παγώματος.....	160
Σύνδεση διαχωριστή νερού.....	161
Λίπανση.....	161
Εργαλείο εισαγωγής.....	161
Επιλογή του σωστού εργαλείου εισαγωγής.....	161
Στενό κοπίδι.....	161
Μυτερό κοπίδι.....	161
Πλατύ κοπίδι.....	161
Τοποθέτηση και αφαίρεση του εργαλείου εισαγωγής.....	162
Χειρισμός.....	162
Εκκίνηση και διακοπή λειτουργίας.....	162
Χειρισμός.....	162
Έναρξη κοπής.....	162
Θραύση.....	163
Όταν κάνετε διάλειμμα.....	163
Συντήρηση.....	163
Κάθε ημέρα.....	163
Περιοδική συντήρηση.....	164
Οδηγίες συναρμολόγησης.....	164
Αντιμετώπιση προβλημάτων.....	164
Αποθήκευση.....	165
Απόρριψη.....	165
Τεχνικά δεδομένα.....	166
Δεδομένα μηχανήματος.....	166
Δήλωση εκπομπών θορύβου και κραδασμών.....	166
Πρόσθετες πληροφορίες περί κραδασμών.....	166

Δεδομένα θορύβου και κραδασμών.....	167
Δήλωση Συμμόρφωσης της ΕΚ.....	168
Δήλωση Συμμόρφωσης της ΕΚ (Οδηγία ΕΚ 2006/42/ΕΚ).....	168

Εισαγωγή

Σας ευχαριστούμε που επιλέξατε ένα προϊόν της Atlas Copco. Από το 1873, έτος ίδρυσης της εταιρείας μας, ανακαλύπτουμε διαρκώς νέους και καλύτερους τρόπους ικανοποίησης των επαγγελματικών αναγκών των πελατών μας. Μέσα στα χρόνια, αναπτύξαμε καινοτόμα και εργονομικά προϊόντα που βοήθησαν τους πελάτες μας να βελτιώσουν και να οργανώσουν ορθολογικά την καθημερινή τους εργασία.

Η Atlas Copco διαθέτει ένα ισχυρό παγκόσμιο δίκτυο πωλήσεων και σέρβις, αποτελούμενο από κέντρα εξυπηρέτησης πελατών και από διανομείς σε όλο τον κόσμο. Οι ειδικοί μας είναι άριστα εκπαιδευμένοι επαγγελματίες με βαθιά γνώση των προϊόντων μας και με πολύχρονη εμπειρία στην εφαρμογή των λύσεων που αναπτύσσει η εταιρεία μας. Σε κάθε γωνιά του πλανήτη, είμαστε σε θέση να προσφέρουμε εξειδικευμένη και αξιόπιστη υποστήριξη για τα προϊόντα μας, ώστε οι πελάτες μας να μπορούν να εργάζονται με τη μέγιστη αποδοτικότητα σε κάθε περίπτωση.

Για περισσότερες πληροφορίες, επισκεφθείτε την τοποθεσία Web:
www.atlascopco.com

Atlas Copco Construction Tools AB
105 23 Stockholm
Sweden

Σχετικά με τις Οδηγίες Ασφάλειας και Χειρισμού

Σκοπός των οδηγιών είναι να σας προσφέρουν τις γνώσεις που απαιτούνται για το χειρισμό της αερόσφυρας με αποτελεσματικό και ασφαλή τρόπο. Οι οδηγίες παρέχουν επίσης συμβουλές και περιγράφουν τη διαδικασία εκτέλεσης τακτικής συντήρησης στην αερόσφυρα.

Πριν χρησιμοποιήσετε την αερόσφυρα για πρώτη φορά πρέπει να διαβάσετε αυτές τις οδηγίες προσεκτικά και να τις κατανοήσετε πλήρως.

Οδηγίες ασφαλείας

Προς ελαχιστοποίηση του κινδύνου σοβαρού τραυματισμού ή θανάτου στον εαυτό σας ή άλλους, φροντίστε να διαβάσετε και να κατανοήσετε τις Οδηγίες ασφαλείας και χειρισμού πριν από την εγκατάσταση, λειτουργία, επισκευή, συντήρηση ή αλλαγή παρελκόμενων στο μηχάνημα.

Αναρτήστε αυτό το έντυπο Οδηγιών ασφαλείας και χειρισμού στους χώρους εργασίας, διανείμετε αντίγραφα του στους εργαζόμενους και φροντίστε ώστε να διαβάσουν όλοι αυτές τις Οδηγίες ασφαλείας και χειρισμού πριν από τη χρήση ή τη διενέργεια σέρβις στο μηχάνημα.

Επιπλέον, ο χειριστής ή ο εργοδότης του χειριστή θα πρέπει να προβαίνει σε αξιολόγηση των ειδικών κινδύνων που ενδέχεται να ενέχονται ως αποτέλεσμα της κάθε χρήσης του μηχανήματος.

Λέξεις σημάτων ασφαλείας

Οι λέξεις σημάτων ασφαλείας «Danger» (Κίνδυνος), «Warning» (Προειδοποίηση) και «Caution» (Προσοχή) έχουν την ακόλουθη σημασία:

ΚΙΝΔΥΝΟΣ	Υποδεικνύει μια επικίνδυνη κατάσταση που εάν δεν αποφευχθεί, θα προκαλέσει σοβαρού βαθμού ή θανατηφόρο τραυματισμό.
ΠΡΟΕΙΔΟΠΟΙΗΣΗ	Υποδεικνύει μια επικίνδυνη κατάσταση που εάν δεν αποφευχθεί, μπορεί να προκαλέσει σοβαρού βαθμού ή θανατηφόρο τραυματισμό.
ΠΡΟΣΟΧΗ	Υποδεικνύει μια επικίνδυνη κατάσταση που εάν δεν αποφευχθεί, μπορεί να προκαλέσει ελαφρού ή μετρίου βαθμού τραυματισμό.

Προσωπικές προφυλάξεις και πιστοποιήσεις

Ο χειρισμός και η συντήρηση του μηχανήματος πρέπει να διενεργείται μόνον από εξουσιοδοτημένο και εκπαιδευμένο προσωπικό. Πρέπει να διαθέτουν κατάλληλη σωματική ικανότητα προς χειρισμό του όγκου, του βάρους και της ισχύος του εργαλείου. Να χρησιμοποιείτε πάντα κοινή λογική και καλή κρίση.

Ατομικός προστατευτικός εξοπλισμός

Να χρησιμοποιείτε πάντοτε εγκεκριμένο προστατευτικό εξοπλισμό. Οι χειριστές και όλα τα άλλα άτομα που βρίσκονται στο χώρο εργασίας πρέπει να φορούν προστατευτικό εξοπλισμό που να περιλαμβάνει τουλάχιστον τα εξής:

- Προστατευτικό κράνος
- Ωτοασπίδες
- Προστατευτικά γυαλιά ανθεκτικά στην κρούση με πλευρική προστασία
- Συσκευή προστασίας της αναπνοής, όταν χρειάζεται
- Προστατευτικά γάντια
- Κατάλληλες προστατευτικές μπότες
- Κατάλληλη φόρμα εργασίας ή παρόμοιο ένδυμα (με σφικτή εφαρμογή στο σώμα) που να καλύπτει τα χέρια και τα πόδια.

Ναρκωτικά, αλκοόλ, φάρμακα

▲ ΠΡΟΕΙΔΟΠΟΙΗΣΗ Ναρκωτικά, αλκοόλ, φάρμακα

Τα ναρκωτικά, το αλκοόλ και τα φάρμακα μπορεί να επηρεάσουν αντίξοα την κρίση σας και την ικανότητα συγκέντρωσης. Κακές αντιδράσεις και λανθασμένες εκτιμήσεις μπορούν να οδηγήσουν σε σοβαρά ατυχήματα ή θάνατο.

- ▶ Μη χρησιμοποιείτε ποτέ το μηχάνημα εάν είστε κουρασμένοι ή υπό την επήρεια ναρκωτικών, αλκοόλ ή φαρμάκων.
- ▶ Δεν επιτρέπεται ο χειρισμός του μηχανήματος από άτομα που βρίσκονται υπό την επήρεια ναρκωτικών, αλκοόλ ή φαρμάκων.

Εγκατάσταση, προφυλάξεις

▲ ΚΙΝΔΥΝΟΣ Ανεξέλεγκτες κινήσεις του εύκαμπτου σωλήνα

Εάν ένας εύκαμπτος σωλήνας πεπιεσμένου αέρα αποσυνδεθεί ενώ βρίσκεται υπό πίεση, είναι δυνατόν να κινηθεί με μεγάλη ταχύτητα και δύναμη και να προκαλέσει σοβαρό τραυματισμό ή θάνατο. Για να ελαχιστοποιήσετε αυτόν τον κίνδυνο:

- ▶ Βεβαιωθείτε ότι ο εύκαμπτος σωλήνας πεπιεσμένου αέρα και οι συνδέσεις δεν έχουν υποστεί ζημία, φροντίστε για την αντικατάστασή τους εάν απαιτείται.
- ▶ Βεβαιωθείτε ότι όλες οι συνδέσεις πεπιεσμένου αέρα είναι κατάλληλα προσαρμοσμένες.
- ▶ Μην μεταφέρετε ποτέ ένα πνευματικό μηχάνημα συγκρατώντας το από τον εύκαμπτο σωλήνα αέρα.

- ▶ Μην επιχειρήσετε ποτέ να αποσυνδέσετε έναν εύκαμπτο σωλήνα πεπιεσμένου αέρα όταν βρίσκεται υπό πίεση. Πρώτα διακόψτε την παροχή πεπιεσμένου αέρα στο συμπιεστή και στη συνέχεια εξαερώστε το μηχάνημα ενεργοποιώντας τη διάταξη εκκίνησης/διακοπής της λειτουργίας.
- ▶ Μην χρησιμοποιείτε ζεύξεις ταχείας αποσύνδεσης στην εισαγωγή του εργαλείου. Να χρησιμοποιείτε εξαρτήματα με σπείρωμα στερέωσης εύκαμπτου σωλήνα από σκληρυμένο χάλυβα (ή υλικό με συγκρίσιμη αντοχή στις κρούσεις).
- ▶ Όταν χρησιμοποιείτε ζεύξεις συστροφής (ζεύξεις με σιαγόνες), συνιστάται η τοποθέτηση πείρων ασφάλισης και η χρήση καλωδίων ασφαλείας για τον έλεγχο ανεξέλεγκτων κινήσεων ώστε να παρέχεται προστασία σε περίπτωση αστοχίας των συνδέσεων μεταξύ εύκαμπτου σωλήνα και εργαλείου όπως και μεταξύ τμημάτων εύκαμπτου σωλήνα.

▲ ΚΙΝΔΥΝΟΣ Αέρας υπό πίεση

Σε περίπτωση επαφής αέρα υπό πίεση με το δέρμα, ενδέχεται να προκληθεί διάτρηση του δέρματος και σοβαρός τραυματισμός ή θάνατος.

- ▶ Να διακόπτετε πάντα την παροχή αέρα, να εκτονώνετε την πίεση του αέρα στους εύκαμπτους σωλήνες και να αποσυνδέετε το μηχάνημα από την παροχή αέρα όταν δεν χρησιμοποιείται, πριν από την αλλαγή παρελκόμενων ή τη διενέργεια επισκευών.
- ▶ Μην στρέφετε ποτέ έναν εύκαμπτο σωλήνα πεπιεσμένου αέρα προς το σώμα σας ή προς την κατεύθυνση άλλου ατόμου. Για να αποφύγετε τον κίνδυνο τραυματισμού, μην χρησιμοποιείτε ποτέ πεπιεσμένο αέρα για να απομακρύνετε ακαθαρσίες, σκόνη κ.λ.π. από τα ρούχα σας.

▲ ΠΡΟΕΙΔΟΠΟΙΗΣΗ Εκτίναξη εργαλείου εισαγωγής

Εάν ο συγκρατητήρας του εργαλείου στο μηχάνημα δεν είναι στη θέση ασφάλισης, το εργαλείο είναι δυνατόν να εκτιναχτεί με δύναμη και να προκαλέσει τραυματισμό.

- ▶ Μην θέτετε ποτέ το μηχάνημα σε λειτουργία, ενώ πραγματοποιείτε αλλαγή του εργαλείου εισαγωγής.
- ▶ Πριν από την αλλαγή του εργαλείου εισαγωγής ή των παρελκόμενων, διακόψτε τη λειτουργία του μηχανήματος, διακόψτε την παροχή ισχύος και εξαερώστε το μηχάνημα ενεργοποιώντας τη διάταξη εκκίνησης/διακοπής της λειτουργίας.
- ▶ Μην στρέφετε ποτέ το εργαλείο εισαγωγής προς το σώμα σας ή προς την κατεύθυνση άλλου ατόμου.
- ▶ Να ελέγχετε εάν το εργαλείο έχει εισαχθεί πλήρως και ο συγκρατητήρας του εργαλείου είναι στη θέση ασφάλισης πριν θέσετε το μηχάνημα σε λειτουργία.

- ▶ Να ελέγχετε τη λειτουργία ασφάλισης τραβώντας το τοποθετημένο εργαλείο απότομα προς τα έξω.

▲ ΠΡΟΕΙΔΟΠΟΙΗΣΗ Μετακινούμενο ή ολισθαίνον εργαλείο εισαγωγής

Εάν οι διαστάσεις του στελέχους του εργαλείου εισαγωγής δεν είναι κατάλληλες, μπορεί το εργαλείο εισαγωγής να χαθεί ή να γλιστρήσει και να βγει κατά τη λειτουργία. Υπάρχει κίνδυνος σοβαρού τραυματισμού ή σύνθλιψης των χεριών και των δακτύλων.

- ▶ Να βεβαιώνετε ότι το εργαλείο εισαγωγής έχει μήκος στελέχους και διαστάσεις που αντιστοιχούν στο μηχάνημα.
- ▶ Μην χρησιμοποιείτε ποτέ ένα εργαλείο εισαγωγής χωρίς κολάρο.

Χειρισμός, προφυλάξεις

▲ ΚΙΝΔΥΝΟΣ Κίνδυνος έκρηξης

Εάν ένα εργαλείο εισαγωγής έλθει σε επαφή με εκρηκτικά υλικά ή εκρηκτικά αέρια, ενδέχεται να προκληθεί έκρηξη. Όταν εργάζεστε με συγκεκριμένα υλικά και χρησιμοποιείτε εξαρτήματα μηχανήματος κατασκευασμένα από ορισμένα υλικά, ενδέχεται να προκληθούν σπινθήρες και ανάφλεξη. Οι εκρήξεις καταλήγουν σε σοβαρό τραυματισμό ή θάνατο.

- ▶ Μην χειρίζεστε ποτέ το μηχάνημα σε εκρήξιμο περιβάλλον.
- ▶ Μην χρησιμοποιείτε ποτέ το μηχάνημα κοντά σε εύφλεκτα υλικά, αναθυμιάσεις ή σκόνη.
- ▶ Να βεβαιώνετε ότι δεν υπάρχουν αέρια ή εκρηκτικά άγνωστης προέλευσης.

▲ ΠΡΟΕΙΔΟΠΟΙΗΣΗ Μη αναμενόμενες κινήσεις

Το εργαλείο εισαγωγής, υφίσταται βαριά καταπόνηση κατά τη χρήση του μηχανήματος. Το εργαλείο εισαγωγής ενδέχεται να υποστεί θραύση λόγω κόπωσης μετά από κάποιο διάστημα χρήσης. Εάν το εργαλείο εισαγωγής υποστεί θραύση ή κολλήσει, ενδέχεται να προκληθούν ξαφνικές και μη αναμενόμενες κινήσεις του μηχανήματος με πιθανή συνέπεια τον τραυματισμό του χειριστή. Επιπλέον, ενδέχεται να τραυματιστείτε εάν χάσετε την ισορροπία σας ή γλιστρήσετε.

- ▶ Να φροντίζετε ώστε η θέση σας να είναι πάντα σταθερή, έχοντας τα πόδια σας σε απόσταση ίση με το πλάτος των ώμων σας και διατηρώντας το βάρος του σώματός σας σε ισορροπία.
- ▶ Να επιθεωρείτε πάντα τον εξοπλισμό πριν από τη χρήση. Μην χρησιμοποιείτε ποτέ τον εξοπλισμό, εάν υπάρχει υποψία ότι έχει υποστεί ζημία.
- ▶ Να φροντίζετε ώστε οι λαβές να είναι καθαρές, χωρίς γράσο ή λάδι.

- ▶ Να φροντίζετε ώστε τα πόδια σας να παραμένουν μακριά από το εργαλείο εισαγωγής.
- ▶ Να στέκεστε σταθερά και να κρατάτε πάντα το μηχάνημα και με τα δύο χέρια.
- ▶ Μην θέτετε ποτέ το μηχάνημα σε λειτουργία, όταν κείται στο έδαφος.
- ▶ Μην «καβαλικεύετε» ποτέ το μηχάνημα με το ένα πόδι πάνω από τη λαβή.
- ▶ Μην κτυπάτε ποτέ και μην κακομεταχειρίζεστε τον εξοπλισμό.
- ▶ Να ελέγχετε τακτικά το εργαλείο εισαγωγής για ίχνη φθοράς, καθώς και για ενδείξεις ζημίας ή ορατές ρωγμές.
- ▶ Να έχετε στραμμένη όλη την προσοχή σας και να παρακολουθείτε αυτό που κάνετε.

▲ ΠΡΟΕΙΔΟΠΟΙΗΣΗ Κίνδυνος λόγω σκόνης και αναθυμιάσεων

Τα είδη σκόνης ή/και αναθυμιάσεων τα οποία εκλύονται ή διαχέονται κατά τη χρήση του μηχανήματος ενδέχεται να προκαλέσουν σοβαρές και μόνιμες βλάβες και παθήσεις του αναπνευστικού ή άλλες σωματικές βλάβες (π.χ. πυριτίωση ή άλλη μη αναστρέψιμη πάθηση των πνευμόνων η οποία είναι δυνατόν να είναι θανατηφόρα, καρκίνο, συγγενείς ανωμαλίες ή/και ερεθισμό του δέρματος).

Ορισμένα είδη σκόνης ή αναθυμιάσεων τα οποία εκλύονται κατά τη διάτρηση, θραύση, σφυρηλάτηση, πριόνισμα και άλλες κατασκευαστικές δραστηριότητες περιέχουν χημικές ουσίες οι οποίες είναι γνωστό, στην πολιτεία της Καλιφόρνια και άλλες αρχές, ότι προκαλούν αναπνευστικές παθήσεις, καρκίνο, συγγενείς ανωμαλίες ή άλλες βλάβες του αναπαραγωγικού συστήματος. Ορισμένα παραδείγματα τέτοιων χημικών ουσιών είναι τα εξής:

- Κρυσταλλικό πυρίτιο, τσιμέντο και άλλα οικοδομικά υλικά.
- Αρσενικό και χρώμιο από χημικά επεξεργασμένο ελαστικό.
- Μόλυβδος από χρώματα που έχουν ως βάση το μόλυβδο.

Η σκόνη και οι αναθυμιάσεις στην ατμόσφαιρα είναι δυνατόν να μην διακρίνονται με γυμνό οφθαλμό, επομένως μην βασίζεστε στην όραση για τον προσδιορισμό εάν υπάρχει σκόνη ή αναθυμιάσεις στην ατμόσφαιρα.

Προς ελαχιστοποίηση του κινδύνου έκθεσης σε σκόνη και αναθυμιάσεις, φροντίστε για όλα τα εξής:

- ▶ Διενέργεια αξιολόγησης των κινδύνων για τη συγκεκριμένη περιοχή. Η αξιολόγηση των κινδύνων θα πρέπει να περιλαμβάνει τη σκόνη και τις αναθυμιάσεις που εκλύονται λόγω χρήσης του μηχανήματος όπως και το ενδεχόμενο διαταραχής της υπέρχουσας σκόνης.
- ▶ Χρήση κατάλληλου μηχανολογικού εξοπλισμού, προς ελαχιστοποίηση της ποσότητας σκόνης και αναθυμιάσεων η οποία εκλύεται στην ατμόσφαιρα όπως και ελαχιστοποίηση της συσσώρευσης πάνω σε εξοπλισμό, επιφάνειες, ρουχισμό και διάφορα μέρη του σώματος. Στα παραδείγματα εξοπλισμού αυτού του είδους περιλαμβάνονται τα εξής: Συστήματα απαγωγής, αερισμού και συλλογής σκόνης, ψεκαστήρες νερού και διάτρηση με χρήση υγρού. Να ελέγχετε την έκλυση σκόνης και αναθυμιάσεων στην πηγή, κατά το δυνατόν. Να φροντίζετε ώστε ο εξοπλισμός να εγκαθίσταται κατάλληλα και να συντηρείται σωστά.

- ▶ Να φοράτε, να συντηρείτε και να χρησιμοποιείτε κατάλληλα αναπνευστική προστασία, όπως συνιστάται από τον εργοδότη σας και απαιτείται από τους κανονισμούς περί υγείας και ασφάλειας στους επαγγελματικούς χώρους. Η αναπνευστική προστασία απαιτείται να είναι αποτελεσματική ανάλογα με τον τύπο της χημικής ουσίας που σας αφορά (και να είναι εγκεκριμένη από την αρμόδια κρατική αρχή, εάν απαιτείται).
- ▶ Να εργάζεστε σε καλώς αεριζόμενο χώρο.
- ▶ Εάν το μηχάνημα διαθέτει εξαγωγή, κατευθύνετε την εξαγωγή κατάλληλα, ώστε να αποτρέπεται η διαταραχή της σκόνης σε περιβάλλον το οποίο περιέχει σκόνη.
- ▶ Να χειρίζεστε και να συντηρείτε το μηχάνημα, όπως συνιστάται στις οδηγίες ασφάλειας και χειρισμού.
- ▶ Να επιλέγετε, να συντηρείτε και να αντικαθιστάτε τα αναλώσιμα/ εργαλεία εισαγωγής/ άλλα παρελκόμενα, όπως συνιστάται στις οδηγίες ασφάλειας και χειρισμού. Η εσφαλμένη επιλογή ή έλλειψη συντήρησης των αναλώσιμων/ εργαλείων εισαγωγής/ άλλων παρελκόμενων ενδέχεται να προκαλέσει άσκοπη αύξηση της σκόνης ή των αναθυμιάσεων.
- ▶ Στο χώρο εργασίας, να φοράτε προστατευτικά ρούχα που πλένονται ή είναι μίας χρήσης. Να κάνετε ντους και να φοράτε καθαρά ρούχα πριν φύγετε από το χώρο εργασίας για να ελαχιστοποιείτε τη δική σας έκθεση στη σκόνη και στις αναθυμιάσεις ή την έκθεση άλλων ατόμων, αυτοκινήτων, σπιτιών και άλλων χώρων.
- ▶ Να αποφεύγετε τη λήψη τροφής, ποτών και τη χρήση προϊόντων καπνιστού σε χώρους όπου υπάρχει σκόνη ή αναθυμιάσεις.
- ▶ Να πλένετε τα χέρια και το πρόσωπό σας σχολαστικά αμέσως μόλις φύγετε από το χώρο έκθεσης, εάν αυτό είναι δυνατόν, και πάντα πριν από τη λήψη τροφής ή ποτών, τη χρήση προϊόντων καπνιστού ή πριν από την επαφή με άλλα άτομα.
- ▶ Να συμμορφώνεστε με τους ισχύοντες νόμους και κανονισμούς, όπως και τους κανονισμούς περί υγείας και ασφάλειας στους επαγγελματικούς χώρους.
- ▶ Να συμμετέχετε στην παρακολούθηση της ατμόσφαιρας, στα προγράμματα ιατρικών εξετάσεων, όπως και στα προγράμματα εκπαίδευσης σε θέματα υγείας και ασφάλειας που παρέχονται από τον εργοδότη σας ή οργανισμούς του κλάδου και σύμφωνα με τους κανονισμούς και τις συστάσεις περί υγείας και ασφάλειας στους επαγγελματικούς χώρους. Ζητήστε τη συμβουλή ιατρών με εμπειρία στο σχετικό πεδίο επαγγελματικής ιατρικής.

- ▶ Συνεργαστείτε με τον εργοδότη και τον επαγγελματικό σας οργανισμό προς μείωση της έκθεσης στη σκόνη και στις αναθυμιάσεις του χώρου εργασίας και προς μείωση των κινδύνων. Απαιτείται η θέσπιση και η εφαρμογή αποτελεσματικών προγραμμάτων, πολιτικών και διαδικασιών υγείας και ασφάλειας με σκοπό την προστασία των εργαζομένων και των τρίτων από την επικίνδυνη έκθεση σε σκόνη και αναθυμιάσεις, βάσει των οδηγιών των ειδικών σε θέματα υγείας και ασφάλειας. Ζητήστε τη συμβουλή ειδικών.
- ▶ Τυχόν εναποθέσεις επικίνδυνων ουσιών πάνω στο μηχάνημα ενδέχεται να αποτελούν κίνδυνο. Πριν από την εκτέλεση εργασιών συντήρησης στο μηχάνημα, φροντίστε για το σχολαστικό καθαρισμό του.

▲ ΠΡΟΕΙΔΟΠΟΙΗΣΗ Εκτίναξη αντικειμένων

Τυχόν αστοχία του τεμαχίου εργασίας, των παρελκόμενων ή ακόμη και του ίδιου του εργαλείου ενδέχεται να προκαλέσει εκτίναξη αντικειμένων με μεγάλη ταχύτητα. Κατά τη διάτρηση, θραύσματα ή άλλα σωματίδια από το υλικό με το οποίο εργάζεστε ενδέχεται να εκτιναχτούν και να προκαλέσουν τραυματισμό χτυπώντας το χειριστή ή άλλα άτομα. Για να ελαχιστοποιήσετε αυτούς τους κινδύνους:

- ▶ Να χρησιμοποιείτε εγκεκριμένο εξοπλισμό ατομικής προστασίας και κράνος ασφαλείας, όπως και ανθεκτικά σε κρούσεις γυαλιά ασφαλείας με πλευρική προστασία.
- ▶ Να φροντίζετε ώστε κανείς άλλος, εκτός από το εξουσιοδοτημένο προσωπικό, να μην εισέρχεται στην περιοχή εργασίας.
- ▶ Να διατηρείτε το χώρο εργασίας ελεύθερο από αντικείμενα που δεν σχετίζονται με την εργασία σας.
- ▶ Να φροντίζετε ώστε το τεμάχιο εργασίας να είναι σταθερά στερεωμένο.

▲ ΠΡΟΕΙΔΟΠΟΙΗΣΗ Κίνδυνος λόγω θραυσμάτων

Σε περίπτωση χρήσης του εργαλείου εισαγωγής ως εργαλείου χειρός είναι δυνατόν ο χειριστής να πληγεί από θραύσματα και να τραυματιστεί.

- ▶ Μην χρησιμοποιείτε ποτέ ένα εργαλείο εισαγωγής ως εργαλείο χειρός. Έχουν σχεδιαστεί ειδικά και έχουν υποστεί θερμική κατεργασία, ώστε να χρησιμοποιούνται σε μηχάνημα μόνο.

▲ ΠΡΟΕΙΔΟΠΟΙΗΣΗ Κίνδυνοι λόγω ολίσθησης, παραπατήματος και πτώσης

Υπάρχει κίνδυνος ολίσθησης ή παραπατήματος και πτώσης, π.χ. παραπατήματος πάνω στους εύκαμπτους σωλήνες ή άλλα αντικείμενα. Η ολίσθηση, το παραπάτημα και η πτώση είναι δυνατόν να προκαλέσουν τραυματισμό. Για να ελαχιστοποιήσετε αυτόν τον κίνδυνο:

- ▶ Να φροντίζετε πάντα ώστε να μην υπάρχει κανένας εύκαμπτος σωλήνας ή άλλο αντικείμενο στο δρόμο σας ή στο δρόμο οποιουδήποτε άλλου ατόμου.
- ▶ Να φροντίζετε πάντα ώστε η θέση σας να είναι πάντα σταθερή, έχοντας τα πόδια σας σε απόσταση ίση με το πλάτος των ώμων σας και διατηρώντας το βάρος του σώματός σας σε ισορροπία.

▲ ΠΡΟΕΙΔΟΠΟΙΗΣΗ Κίνδυνοι λόγω κίνησης

Κατά τη χρήση του μηχανήματος για την εκτέλεση διαφόρων δραστηριοτήτων που σχετίζονται με την εργασία, ενδέχεται να αισθανθείτε δυσφορία σε χέρια, βραχίονες, ώμους, λαιμό ή άλλα σημεία του σώματος.

- ▶ Φροντίστε να υιοθετήσετε μια άνετη στάση ενώ συνεχίζετε να στηρίζετε στα πόδια σας σταθερά και να αποφεύγετε ενοχλητικές στάσεις στις οποίες δεν είναι δυνατόν να διατηρήσετε την ισορροπία σας.
- ▶ Στη διάρκεια παρατεταμένων εργασιών, η αλλαγή στάσης ενδέχεται να διευκολύνει την αντιμετώπιση της δυσφορίας και της κόπωσης.
- ▶ Σε περίπτωση επίμονων ή επανειλημμένων συμπτωμάτων, συμβουλευτείτε ειδικευμένο ιατρό.

▲ ΠΡΟΕΙΔΟΠΟΙΗΣΗ Κίνδυνοι από κραδασμούς

Η κανονική και σωστή χρήση του μηχανήματος εκθέτει το χειριστή σε κραδασμούς. Η τακτική και συχνή έκθεση σε κραδασμούς ενδέχεται να προκαλέσει, να συμβάλει ή να επιδεινώσει τραυματισμούς ή παθήσεις στα δάκτυλα, στα χέρια, στους καρπούς, στους βραχίονες, στους ώμους ή/και στα νεύρα και στην αιμάτωση ή σε άλλα μέρη του σώματος του χειριστή και επίσης να προκαλέσει εξασθένηση ή/και μόνιμες βλάβες ή παθήσεις οι οποίες ενδέχεται να εξελιχθούν σταδιακά σε διάστημα εβδομάδων, μηνών ή ετών. Οι τραυματισμοί ή οι παθήσεις αυτού του είδους ενδέχεται να περιλαμβάνουν βλάβη στο σύστημα κυκλοφορίας του αίματος, βλάβη στο νευρικό σύστημα, βλάβη στις αρθρώσεις και ενδεχομένως βλάβη σε άλλες δομές του σώματος.

Εάν αισθανθείτε μούδιασμα, επίμονη και επαναλαμβανόμενη δυσφορία, αίσθηση καψίματος, δυσκαμψία, έντονες σφύξεις, μυρμήγκιασμα, πόνο, αδεξιότητα, αδυναμία συγκράτησης στα χέρια, παρατηρήσετε λεύκανση του δέρματος ή άλλα συμπτώματα οποιαδήποτε στιγμή, κατά το χειρισμό ή μη του μηχανήματος, διακόψτε τη χρήση του μηχανήματος, ενημερώστε τον εργοδότη σας και αναζητήστε ιατρική συμβουλή. Εάν συνεχίσετε να χρησιμοποιείτε το μηχάνημα μετά την εμφάνιση οποιουδήποτε από αυτά τα συμπτώματα, ενδέχεται να αυξηθεί ο κίνδυνος να γίνουν τα συμπτώματα πιο σοβαρά ή/και μόνιμα.

Να χειρίζεστε και να συντηρείτε το μηχάνημα όπως συνιστάται στις παρούσες οδηγίες, ώστε να αποτρέπεται η άσκοπη αύξηση των κραδασμών.

Οι συμβουλές που ακολουθούν ενδέχεται να διευκολύνουν στη μείωση της έκθεσης του χειριστή σε κραδασμούς:

- ▶ Να αφήνετε το εργαλείο να κάνει τη δουλειά. Η λαβή σας πρέπει να είναι η ελάχιστη που απαιτείται για το σωστό έλεγχο και την ασφαλή λειτουργία του μηχανήματος.
- ▶ Εάν το μηχάνημα διαθέτει λαβές απορρόφησης κραδασμών, κρατήστε τις σε κεντρική θέση, αποφεύγοντας να πιέζετε τις λαβές στα άκρα.
- ▶ Όταν ο κρουστικός μηχανισμός είναι ενεργοποιημένος, το μοναδικό σημείο που θα πρέπει το σώμα σας να έρχεται σε επαφή με το μηχάνημα είναι τα χέρια σας πάνω στη λαβή ή στις λαβές. Να αποφεύγετε οποιαδήποτε άλλη επαφή, π.χ. να στηρίζετε οποιοδήποτε τμήμα του σώματός σας πάνω στο μηχάνημα ή να σκύβετε πάνω από το μηχάνημα προσπαθώντας να αυξήσετε την ασκούμενη δύναμη. Είναι επίσης σημαντικό να μην συνεχίζετε να πιέζετε τη διάταξη εκκίνησης/διακοπής της λειτουργίας κατά την αφαίρεση του εργαλείου από τη σπασμένη επιφάνεια εργασίας.

- ▶ Να φροντίζετε ώστε το εργαλείο που έχει εισαχθεί να είναι καλά συντηρημένο (και αρκετά αιχμηρό, εάν πρόκειται για κοπτικό εργαλείο), να μην είναι φθαρμένο και να έχει το κατάλληλο μέγεθος. Τα εργαλεία εισαγωγής τα οποία δεν είναι καλά συντηρημένα, είναι φθαρμένα ή δεν έχουν το κατάλληλο μέγεθος χρειάζονται περισσότερο χρόνο για να ολοκληρώσουν την εργασία (και επομένως αυξάνουν τη διάρκεια έκθεσης του χειριστή σε κραδασμούς) και ενδέχεται να προκαλέσουν ή να συμβάλλουν στην έκθεση σε κραδασμούς μεγαλύτερου βαθμού.
- ▶ Διακόψτε αμέσως την εργασία, εάν το μηχάνημα αρχίσει ξαφνικά να παρουσιάζει ισχυρούς κραδασμούς. Πριν συνεχίσετε την εργασία, εντοπίστε και εξαλείψτε την αιτία των αυξημένων κραδασμών.
- ▶ Μην πιάνετε, κρατάτε ή αγγίζετε ποτέ το εργαλείο εισαγωγής όταν χρησιμοποιείτε το μηχάνημα.
- ▶ Να συμμετέχετε στην παρακολούθηση ή τον έλεγχο υγείας, στις ιατρικές εξετάσεις και στα προγράμματα εκπαίδευσης που προσφέρονται από τον εργοδότη σας ή επιβάλλονται από τη νομοθεσία.
- ▶ Όταν εργάζεστε σε συνθήκες ψύχους, να φοράτε ζεστά ρούχα και να διατηρείτε τα χέρια σας ζεστά και στεγνά.
- ▶ Ο αέρας εξαγωγής είναι πολύ κρύος και δεν θα πρέπει να έρχεται σε επαφή με το χειριστή. Να κατευθύνετε πάντα τον αέρα εξαγωγής μακριά από το σώμα και τα χέρια.

Ανατρέξτε στην ενότητα «Δήλωση εκπομπών θορύβου και κραδασμών» για το μηχάνημα, όπως και τις δηλωμένες τιμές κραδασμών. Αυτές οι πληροφορίες βρίσκονται στο τέλος της ενότητας Οδηγίες ασφάλειας και χειρισμού.

- ◆ Να χρησιμοποιείτε τη συνιστώμενη πίεση αέρα όταν χρησιμοποιείτε το μηχάνημα. Υψηλότερη ή χαμηλότερη πίεση αέρα ενδέχεται να προκαλέσει υψηλότερη στάθμη κραδασμών.

▲ ΚΙΝΔΥΝΟΣ Κίνδυνος από το ηλεκτρικό ρεύμα

Το μηχάνημα δεν είναι ηλεκτρικά μονωμένο. Εάν το μηχάνημα έλθει σε επαφή με ηλεκτρικό ρεύμα, ενδέχεται να προκληθεί σοβαρού βαθμού ή θανατηφόρος τραυματισμός.

- ▶ Μη χρησιμοποιείτε ποτέ το μηχάνημα κοντά σε ηλεκτρικά καλώδια ή άλλη πηγή ηλεκτρισμού.
- ▶ Βεβαιωθείτε ότι δεν υπάρχουν κρυμμένα καλώδια ή άλλες πηγές ηλεκτρισμού στην περιοχή εργασίας σας.

▲ ΠΡΟΕΙΔΟΠΟΙΗΣΗ Κίνδυνος από κρυμμένα αντικείμενα

Κατά τις εργασίες διάτρησης, τα κρυμμένα καλώδια και οι σωλήνες αποτελούν κίνδυνο σοβαρού τραυματισμού.

- ▶ Πριν χρησιμοποιήσετε το μηχάνημα, ελέγξτε την υφή του υλικού.
- ▶ Έχετε το νου σας για κρυμμένα καλώδια και σωληνώσεις π.χ. γραμμές ηλεκτρικού ρεύματος, τηλεφώνου, νερού, φυσικού αερίου και αποχέτευσης κ.λπ.
- ▶ Εάν το εργαλείο εισαγωγής σας δίνει την εντύπωση ότι έχει χτυπήσει ένα κρυμμένο αντικείμενο, σβήστε το μηχάνημα αμέσως.
- ▶ Βεβαιωθείτε ότι δεν υπάρχει κίνδυνος πριν συνεχίσετε.

▲ ΠΡΟΕΙΔΟΠΟΙΗΣΗ Ακούσια εκκίνηση

Η ακούσια εκκίνηση του μηχανήματος ενδέχεται να προκαλέσει τραυματισμό.

- ▶ Να φροντίζετε ώστε να διατηρείτε τα χέρια σας μακριά από τη διάταξη εκκίνησης/διακοπής της λειτουργίας, έως ότου είστε έτοιμοι να θέσετε το μηχάνημα σε λειτουργία.
- ▶ Μάθετε πώς τίθεται το μηχάνημα εκτός λειτουργίας σε περίπτωση έκτακτης ανάγκης.
- ▶ Να ελευθερώνετε αμέσως τη διάταξη εκκίνησης/διακοπής της λειτουργίας σε όλες τις περιπτώσεις διακοπής της παροχής ρεύματος.
- ▶ Κατά την τοποθέτηση ή αφαίρεση του εργαλείου εισαγωγής, να διακόπτετε την παροχή αέρα, να εξαερώνετε το μηχάνημα πιέζοντας τη διάταξη εκκίνησης/διακοπής της λειτουργίας και να αποσυνδέετε το μηχάνημα από την παροχή ισχύος.

▲ ΠΡΟΕΙΔΟΠΟΙΗΣΗ Κίνδυνος από θορύβους

Τα υψηλά επίπεδα θορύβου είναι δυνατόν να προκαλέσουν μόνιμη απώλεια ακοής και άλλα προβλήματα όπως tinnitus (κουδούνισμα, βόμβο, σφύριγμα ή βούισμα στα αυτιά). Προς ελαχιστοποίηση των κινδύνων και πρόληψη της άσκοπης αύξησης των επιπέδων θορύβου, απαιτείται:

- ▶ Αξιολόγηση των συγκεκριμένων κινδύνων και εφαρμογή κατάλληλων μηχανισμών ελέγχου.
- ▶ Χειρισμός και συντήρηση του μηχανήματος, όπως συνιστάται στις παρούσες οδηγίες.
- ▶ Επιλογή, συντήρηση και αντικατάσταση του εργαλείου εισαγωγής, όπως συνιστάται στις παρούσες οδηγίες.
- ▶ Έλεγχος εάν ο σιγαστήρας βρίσκεται στη θέση του και είναι σε καλή κατάσταση λειτουργίας, εάν το μηχάνημα διαθέτει σιγαστήρα.

- ▶ Χρήση προστατευτικών ακοής, πάντα.
- ▶ Χρήση υλικού απόσβεσης κραδασμών, ώστε να αποτρέπεται το «κουδούνισμα» των τεμαχίων εργασίας.

Συντήρηση, προφυλάξεις**▲ ΠΡΟΕΙΔΟΠΟΙΗΣΗ Τροποποίηση μηχανήματος**

Οποιαδήποτε τροποποίηση του μηχανήματος ενδέχεται να προκαλέσει τραυματισμό σε εσάς ή τρίτους.

- ▶ Μην τροποποιήσετε ποτέ το μηχάνημα. Τα τροποποιημένα μηχανήματα δεν καλύπτονται από εγγύηση ή ευθύνη για το προϊόν.
- ▶ Να χρησιμοποιείτε πάντα γνήσια εξαρτήματα, εργαλεία εισαγωγής και παρελκόμενα εγκεκριμένα από την Atlas Copco.
- ▶ Να αντικαθιστάτε αμέσως τα εξαρτήματα που έχουν υποστεί ζημία.
- ▶ Να αντικαθιστάτε εγκαίρως τα εξαρτήματα τα οποία παρουσιάζουν ίχνη φθοράς.

▲ ΠΡΟΣΟΧΗ Καυτό εργαλείο εισαγωγής

Το άκρο του εργαλείου εισαγωγής θερμαίνεται και γίνεται αιχμηρό κατά τη χρήση. Εάν το αγγίξετε, είναι δυνατόν να σας προκαλέσει εγκαύματα και κοψίματα.

- ▶ Μην αγγίζετε ποτέ ένα καυτό ή αιχμηρό εργαλείο εισαγωγής.
- ▶ Περιμένετε να κρυώσει το εργαλείο εισαγωγής πριν ξεκινήσετε οποιαδήποτε εργασία συντήρησης σε αυτό.

▲ ΠΡΟΕΙΔΟΠΟΙΗΣΗ Κίνδυνοι λόγω εργαλείων εισαγωγής

Η ακούσια ενεργοποίηση της διάταξης εκκίνησης/διακοπής της λειτουργίας στη διάρκεια της συντήρησης είναι δυνατόν να προκαλέσει σοβαρούς τραυματισμούς, όταν συνδεθεί η παροχή ισχύος.

- ▶ Μην επιθεωρείτε, καθαρίζετε ή αφαιρείτε ποτέ το εργαλείο εισαγωγής, όταν η παροχή ισχύος είναι

Φύλαξη, προφυλάξεις

- ◆ Να φυλάσσετε το μηχάνημα και τα εργαλεία σε ασφαλή χώρο, κλειδωμένο και απρόσιτο στα παιδιά.

Επισκόπηση

Για να μειώσετε τον κίνδυνο πρόκλησης σοβαρού ή θανατηφόρου τραυματισμού στον εαυτό σας ή σε άλλους, διαβάστε την ενότητα «Οδηγίες ασφάλειας» (βρίσκεται στις προηγούμενες σελίδες του παρόντος εγχειριδίου) πριν χρησιμοποιήσετε το μηχάνημα.

Σχεδιασμός και λειτουργία

Οι οδηγίες αυτές ισχύουν για το TEX 07PE.

Το TEX 07PE είναι ένα μηχάνημα με λαβή σχήματος D το οποίο επιτρέπει την απόσβεση των κραδασμών, σχεδιασμένο για ελαφρές εργασίες σε κατεδαφίσεις και κτιριακά έργα. Το μηχάνημα είναι δυνατόν να χρησιμοποιηθεί τόσο σε οριζόντια όσο και σε κάθετη θέση. Δεν επιτρέπεται καμία άλλη χρήση.

Για να επιλέξετε το κατάλληλο εργαλείο εισαγωγής, ανατρέξτε στον κατάλογο ανταλλακτικών εξαρτημάτων.

Επιλογή της κατάλληλης αερόσφυρας για μία εργασία

Είναι σημαντικό να επιλέξετε το σωστό μέγεθος αερόσφυρας για την εργασία που πρόκειται να εκτελεστεί.

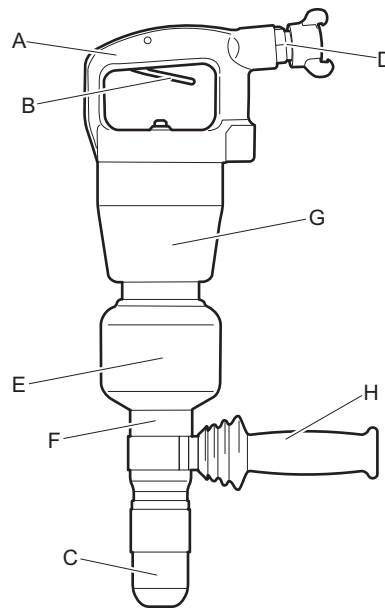
Μια υπερβολικά μικρή αερόσφυρα σημαίνει ότι η εργασία θα έχει μεγαλύτερη διάρκεια.

Μια υπερβολικά μεγάλη αερόσφυρα σημαίνει ότι θα υπάρχουν συχνές μετακινήσεις, με αποτέλεσμα να κουράζεται υπερβολικά ο χειριστής.

Ένας απλός κανόνας για την επιλογή του σωστού μεγέθους της αερόσφυρας είναι ότι ένα κομμάτι σπασμένου υλικού κανονικού μεγέθους θα πρέπει να αφαιρείται από το τεμάχιο εργασίας μετά από 5-10 δευτερόλεπτα λειτουργίας.

- Εάν απαιτούνται λιγότερα από 5 δευτερόλεπτα, θα πρέπει να επιλεγεί μικρότερη αερόσφυρα.
- Εάν απαιτούνται περισσότερα από 10 δευτερόλεπτα, θα πρέπει να επιλεγεί μεγαλύτερη αερόσφυρα.

Κύρια μέρη

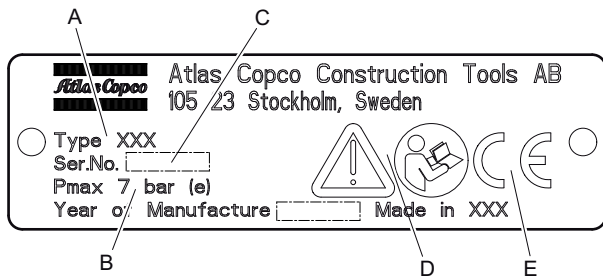


- A. Λαβή
- B. Σκανδάλη
- C. Διάταξη συγκράτησης εργαλείου
- D. Είσοδος αέρα
- E. Σιλανσιέ
- F. Κύλινδρος
- G. Περίβλημα
- H. Πρόσθια χειρολαβή (προαιρετική)

Ετικέτες

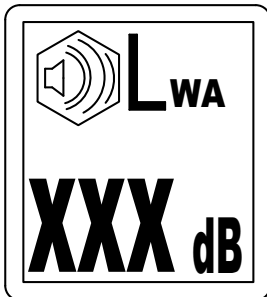
Στο μηχάνημα υπάρχουν ετικέτες που περιέχουν σημαντικές πληροφορίες σχετικά με την προσωπική ασφάλεια και τη συντήρηση του μηχανήματος. Οι ετικέτες απαιτείται να βρίσκονται σε καλή κατάσταση, ώστε να διευκολύνεται η ανάγνωσή τους. Μπορείτε να παραγγείλετε ετικέτες από τον κατάλογο ανταλλακτικών εξαρτημάτων.

Πανακίδα δεδομένων



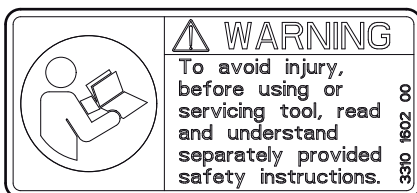
- A. Τύπος μηχανήματος
- B. Μέγιστη επιτρεπόμενη πίεση πεπιεσμένου αέρα
- C. Αριθμός σειράς
- D. Το προειδοποιητικό σύμβολο μαζί με το σύμβολο του βιβλίου σημαίνουν ότι ο χειριστής απαιτείται να διαβάσει τις Οδηγίες ασφαλείας και χειρισμού πριν χρησιμοποιήσει το μηχάνημα για πρώτη φορά.
- E. Το σύμβολο CE σημαίνει ότι το μηχάνημα είναι εγκεκριμένο από την ΕΚ. Για περαιτέρω πληροφορίες, ανατρέξτε στη δήλωση ΕΚ η οποία συνοδεύει το μηχάνημα. Εάν το σύμβολο CE δεν υπάρχει, αυτό σημαίνει ότι το μηχάνημα δεν είναι εγκεκριμένο από την ΕΚ.

Ετικέτα στάθμης θορύβου



Η ετικέτα υποδεικνύει την εγγυημένη στάθμη θορύβου σύμφωνα με την κατευθυντήρια οδηγία της Ευρωπαϊκής Κοινότητας 2000/14/ΕΚ. Για την ακριβή στάθμη θορύβου, ανατρέξτε στην ενότητα «Τεχνικά στοιχεία».

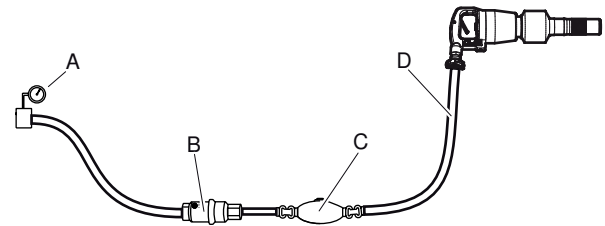
Ετικέτα ασφαλείας



Προς αποφυγή τραυματισμού, πριν από τη χρήση ή τη διενέργεια σέρβις στο εργαλείο, φροντίστε να διαβάσετε και να κατανοήσετε τις χωριστά παρεχόμενες οδηγίες ασφαλείας.

Εγκατάσταση

Εύκαμπτοι σωλήνες και συνδέσεις



- A. Πηγή πεπιεσμένου αέρα
- B. Διαχωριστής νερού (προαιρετικό)
- C. Λιπαντήρας (προαιρετικό)
- D. Έως 3 μέτρα (10 ft) εύκαμπτου σωλήνα πεπιεσμένου αέρα μεταξύ λιπαντήρα και μηχανήματος.
- ♦ Βεβαιωθείτε ότι χρησιμοποιείτε τη συνιστώμενη πίεση λειτουργίας, 6 bar (e) (87 psi).
 - ♦ Απαγορεύεται υπέρβαση της μέγιστης επιτρεπόμενης πίεσης αέρα 7 bar (e) (102 psi).
 - ♦ Φυσήξτε για να απομακρύνετε τυχόν ακαθαρσίες από τον εύκαμπτο σωλήνα πεπιεσμένου αέρα πριν από τη σύνδεση στο μηχάνημα.
 - ♦ Επιλέξτε τη σωστή διάσταση και το σωστό μήκος για τον εύκαμπτο σωλήνα πεπιεσμένου αέρα. Για μήκη εύκαμπτου σωλήνα έως 30 μέτρα (100 ft), θα πρέπει να χρησιμοποιείται εύκαμπτος σωλήνας με ελάχιστη εσωτερική διάμετρο 19 mm (3/4 in.). Εάν το μήκος του εύκαμπτου σωλήνα κυμαίνεται μεταξύ 30 και 100 μέτρων (100 και 330 ft), θα πρέπει να χρησιμοποιηθεί εύκαμπτος σωλήνας με ελάχιστη εσωτερική διάμετρο 25 mm (1 in.).

Μέθοδοι αποφυγής παγώματος

Ενδέχεται να σχηματιστεί πάχος στο σιγαστήρα όταν η θερμοκρασία αέρα του περιβάλλοντος είναι 0-10°C (32-50 °F) και η σχετική υγρασία είναι υψηλή.

Το μηχάνημα είναι σχεδιασμένο να αποτρέπει το σχηματισμό πάγου στο σιγαστήρα. Ωστόσο, όταν ο παγετός είναι ισχυρός, μπορεί να σχηματιστεί πάγος μέσα στο σιγαστήρα.

Για την αποτροπή σχηματισμού πάγου, λάβετε τα ακόλουθα μέτρα:

- ♦ Χρησιμοποιήστε το Atlas Copco Breaker and hammer AIR-OIL ως λιπαντικό. Το Breaker and hammer AIR-OIL αποτρέπει το πάγωμα.
- ♦ Χρησιμοποιήστε διαχωριστή νερού.

Σύνδεση διαχωριστή νερού

Χρησιμοποιήστε έναν ελαστικό σωλήνα με το κατάλληλο μήκος μεταξύ συμπιεστή και διαχωριστή νερού για να διασφαλίσετε ότι οι υδρατμοί ψύχονται και συμπυκνώνονται στον ελαστικό σωλήνα πριν φτάσουν στο διαχωριστή νερού.

Εάν η θερμοκρασία περιβάλλοντος είναι μικρότερη από 0 °C (32 °F), ο ελαστικός σωλήνας πρέπει να έχει αρκετά μικρό μήκος ώστε το νερό να μην παγώνει πριν φτάσει στο διαχωριστή νερού.

Λίπανση

Το λιπαντικό παίζει σημαντικό ρόλο στη λειτουργία του μηχανήματος και επηρεάζει σημαντικά την ωφέλιμη διάρκεια ζωής του προϊόντος. Εάν δεν υπάρχει ενσωματωμένος λιπαντήρας, συνδέστε ένα χωριστό λιπαντήρα στον εύκαμπτο σωλήνα αέρα. Για εγγυημένα επαρκή λίπανση, το μήκος του εύκαμπτου σωλήνα αέρα μεταξύ του χωριστού λιπαντήρα και του πνευματικού μηχανήματος δεν θα πρέπει να είναι μεγαλύτερο από 3 μέτρα.

Χρησιμοποιήστε συνθετικό λιπαντικό, όπως το Atlas Copco AIR-OIL θραυστήρων και σφυρών ή ορυκτέλαιο με τις ιδιότητες που συνιστώνται στον πίνακα κατωτέρω.

Λιπαντικό	Εύρος θερμοκρασίας (°C)	Ιξώδες
AIR-OIL θραυστήρων και σφυρών	-30 έως +50	-
Ορυκτέλαιο/Συνθετικό λάδι	+15 έως +50	ISO VG 46–68
Ορυκτέλαιο/Συνθετικό λάδι	-20 έως +15	ISO VG 22–32

Εργαλείο εισαγωγής

▲ ΠΡΟΣΟΧΗ Καυτό εργαλείο εισαγωγής

Το άκρο του εργαλείου εισαγωγής θερμαίνεται και γίνεται αιχμηρό κατά τη χρήση. Εάν το αγγίξετε, είναι δυνατόν να σας προκαλέσει εγκαύματα και κοψίματα.

- ▶ Μην αγγίζετε ποτέ ένα καυτό ή αιχμηρό εργαλείο εισαγωγής.
- ▶ Περιμένετε να κρυώσει το εργαλείο εισαγωγής πριν ξεκινήσετε οποιαδήποτε εργασία συντήρησης σε αυτό.

ΕΙΔΟΠΟΙΗΣΗ Μην ψύχετε ποτέ ένα καυτό εργαλείο εισαγωγής μέσα σε νερό, ενδέχεται να επέλθει ευθραυστότητα και πρόωρη αστοχία.

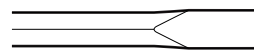
Επιλογή του σωστού εργαλείου εισαγωγής

Η επιλογή του σωστού εργαλείου εισαγωγής είναι προϋπόθεση για τη σωστή λειτουργία του μηχανήματος. Είναι σημαντικό να επιλέγετε εργαλεία εισαγωγής υψηλής ποιότητας για να αποφεύγετε την πρόκληση ζημιάς στο μηχάνημα.

Το μηχάνημα μπορεί να καταστραφεί εάν χρησιμοποιήσετε ένα ακατάλληλο εργαλείο εισαγωγής.

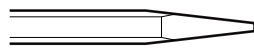
Τα προτεινόμενα εργαλεία εισαγωγής παρατίθενται στον κατάλογο ανταλλακτικών του μηχανήματος.

Στενό κοπίδι



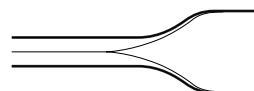
Το στενό κοπίδι χρησιμοποιείται σε εργασίες κατεδάφισης και κοπής σε μπετόν και σε άλλους τύπους σκληρών υλικών.

Μυτερό κοπίδι



Το μυτερό κοπίδι χρησιμοποιείται μόνο για τη δημιουργία οπών σε μπετόν και σε άλλους τύπους σκληρών υλικών.

Πλατύ κοπίδι

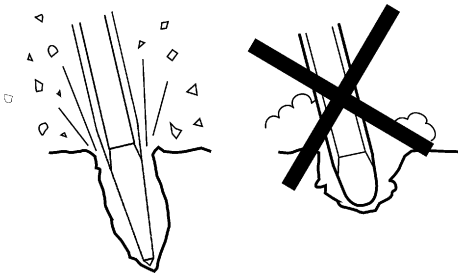


Το πλατύ κοπίδι χρησιμοποιείται σε μαλακά υλικά, όπως η ασφαλτος και το παγωμένο έδαφος.

▲ ΠΡΟΕΙΔΟΠΟΙΗΣΗ Κίνδυνος από κραδασμούς

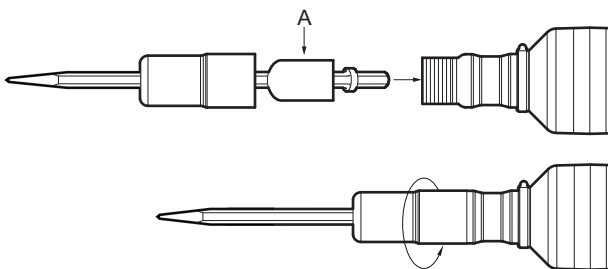
Εργαλεία που δεν πληρούν τα προαναφερθέντα κριτήρια χρειάζονται περισσότερο χρόνο για να ολοκληρώσουν την εργασία και ενδέχεται να προκαλέσουν αύξηση της στάθμης των κραδασμών στους οποίους εκτίθεται ο χειριστής. Ένα φθαρμένο εργαλείο αυξάνει το χρόνο εργασίας.

- ▶ Να βεβαιώνετε ότι το εργαλείο εισαγωγής είναι σωστά συντηρημένο, δεν είναι φθαρμένο και έχει το κατάλληλο μέγεθος.
- ▶ Να χρησιμοποιείτε πάντοτε αιχμηρό εργαλείο για να μπορείτε να εργάζεστε αποτελεσματικά.

**Τοποθέτηση και αφαίρεση του εργαλείου εισαγωγής**

Όταν τοποθετείτε ή αφαιρείτε το εργαλείο εισαγωγής απαιτείται τήρηση των ακόλουθων οδηγιών:

- ◆ Για να αποτρέψετε ενδεχόμενη ακούσια εκκίνηση: Να απενεργοποιείτε την παροχή αέρα και να αποσυνδέετε το μηχάνημα από την παροχή ισχύος. Να εξαερώνετε το μηχάνημα πιέζοντας τη διάταξη εκκίνησης/διακοπής της λειτουργίας.
- ◆ Πριν από την εισαγωγή ενός εργαλείου, λιπάνετε το στέλεχος του εργαλείου με γράσο.
- ◆ Κλείστε τη διάταξη συγκράτησης εργαλείου και ελέγξτε τη λειτουργία ασφάλισης τραβώντας το τοποθετημένο εργαλείο απότομα προς τα έξω.

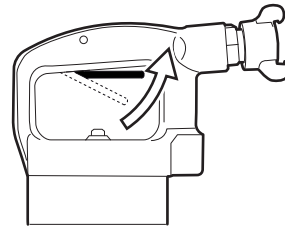


1. Τοποθετήστε το κάλυμμα πάνω από το εξαγωνικό σώμα του εργαλείου εισαγωγής.
2. Τοποθετήστε τον αποσβεστήρα (A) πάνω από το στέλεχος του εργαλείου εισαγωγής.
3. Τοποθετήστε το εργαλείο εισαγωγής μέσα στον κύλινδρο και βιδώστε το κάλυμμα πάνω στον κύλινδρο έως ότου ασφαλίσει.

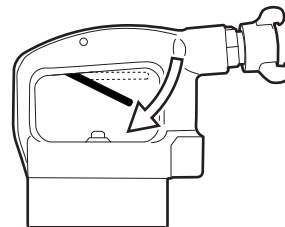
Χειρισμός**▲ ΠΡΟΕΙΔΟΠΟΙΗΣΗ Ακούσια εκκίνηση**

Η ακούσια εκκίνηση του μηχανήματος ενδέχεται να προκαλέσει τραυματισμό.

- ▶ Να κρατάτε τα χέρια σας μακριά από τη διάταξη εκκίνησης/διακοπής της λειτουργίας, έως ότου είστε έτοιμοι να θέσετε το μηχάνημα σε λειτουργία.
- ▶ Μάθετε πώς τίθεται το μηχάνημα εκτός λειτουργίας σε περίπτωση έκτακτης ανάγκης.
- ▶ Διακόψτε αμέσως τη λειτουργία του μηχανήματος, σε όλες τις περιπτώσεις διακοπής της παροχής ρεύματος.

Εκκίνηση και διακοπή λειτουργίας

Ξεκινήστε το μηχάνημα πατώντας τη σκανδάλη ενώ κρατάτε σταθερά τη χειρολαβή.

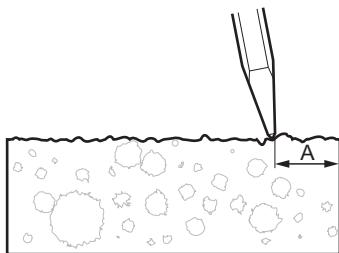


Διακόψτε τη λειτουργία του μηχανήματος ελευθερώνοντας τη σκανδάλη. Η σκανδάλη επανέρχεται αυτόματα στη θέση διακοπής λειτουργίας.

Χειρισμός**Έναρξη κοπής**

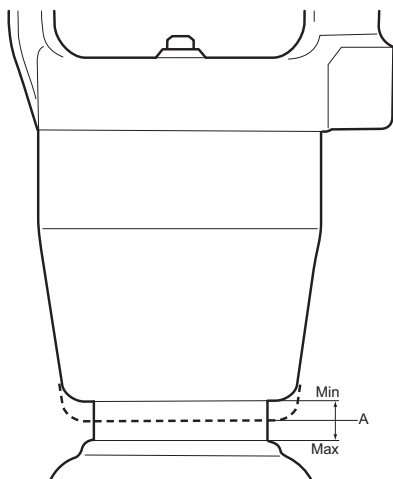
- ◆ Σταθείτε σε σταθερή θέση με τα πόδια σας σε απόσταση από το εργαλείο εισαγωγής.
- ◆ Πιέστε το μηχάνημα πάνω στην επιφάνεια εργασίας πριν ξεκινήσετε.
- ◆ Αρχίστε να δημιουργείτε το κολάρο εφαρμογής σε τέτοια απόσταση από το άκρο του μηχανήματος, ώστε το μηχάνημα να είναι σε θέση να σπάσει το υλικό χωρίς να απαιτείται στήριξη.

- ♦ Μην προσπαθείτε ποτέ να σπάσετε υπερβολικά μεγάλα τεμάχια. Ρυθμίστε την απόσταση θραύσης (A), ώστε να μην κολλήσει το εργαλείο εισαγωγής.



Θραύση

- ♦ Αφήστε το μηχάνημα να κάνει τη δουλειά. Μην πιέζετε με υπερβολική δύναμη. Η λαβή απόσβεσης κραδασμών δεν πρέπει κατά κανένα τρόπο να πιεστεί μέχρι να τερματίσει στη βάση.
- ♦ Για πνευματικά μηχανήματα με λαβές απόσβεσης κραδασμών: Η ασκούμενη δύναμη θα πρέπει να προσαρμόζεται, ώστε η λαβή να πιέζεται «κατά το ήμισυ». Το καλύτερο αποτέλεσμα όσον αφορά την απόσβεση κραδασμών και τη θραύση επιτυγχάνεται σε αυτήν τη θέση.



- ♦ Να αποφεύγετε την εργασία σε εξαιρετικά σκληρά υλικά, όπως ο γρανίτης και τα σίδερα ενίσχυσης (ράβδοι οπλισμού) που μπορούν να προκαλέσουν σημαντικούς κραδασμούς.
- ♦ Οποιαδήποτε μορφή λειτουργίας χωρίς φορτίο, χωρίς εργαλείο εισαγωγής ή με το μηχάνημα ανυψωμένο πρέπει να αποφεύγεται.
- ♦ Όταν το μηχάνημα είναι ανυψωμένο, απαγορεύεται η ενεργοποίηση της διάταξης εκκίνησης/διακοπής της λειτουργίας.
- ♦ Να ελέγχετε τακτικά ότι το μηχάνημα λιπαίνεται επαρκώς.

Όταν κάνετε διάλειμμα

- ♦ Στη διάρκεια των διαλειμμάτων πρέπει να τοποθετήσετε το μηχάνημα με τέτοιο τρόπο ώστε να μην υπάρχει κίνδυνος ακούσιας εκκίνησης. Βεβαιωθείτε ότι το μηχάνημα στηρίζεται στο έδαφος, ώστε να μην υπάρχει κίνδυνος πτώσης.
- ♦ Σε περίπτωση διαλείμματος μεγάλης διάρκειας ή όταν φεύγετε από το χώρο εργασίας: Διακόψτε την παροχή ρεύματος και στη συνέχεια εξαερώστε το μηχάνημα ενεργοποιώντας τη διάταξη εκκίνησης/διακοπής της λειτουργίας.

Συντήρηση

Η τακτική συντήρηση είναι βασική προϋπόθεση για τη συνεχή, ασφαλή και αποτελεσματική χρήση του μηχανήματος. Τηρήστε τις οδηγίες συντήρησης με προσοχή.

- ♦ Πριν αρχίσετε με τη συντήρηση του μηχανήματος, καθαρίστε το ώστε να αποφεύγετε την έκθεση σε επικίνδυνες χημικές ουσίες. Βλ. ενότητα «Κίνδυνος λόγω σκόνης και αναθυμιάσεων»
- ♦ Να χρησιμοποιείτε μόνον εγκεκριμένα εξαρτήματα. Τυχόν ζημιά ή δυσλειτουργία οφειλόμενη στη χρήση μη εγκεκριμένων εξαρτημάτων δεν καλύπτεται από την εγγύηση ή την ευθύνη για το προϊόν.
- ♦ Όταν καθαρίζετε μηχανικά εξαρτήματα με διαλυτικό, να συμμορφώνεστε με τους ισχύοντες κανονισμούς υγείας και ασφάλειας και να φροντίζετε ώστε ότι ο αερισμός να είναι επαρκής.
- ♦ Για εκτεταμένες εργασίες σέρβις του μηχανήματος, απευθυνθείτε στο πλησιέστερο εξουσιοδοτημένο συνεργείο.
- ♦ Μετά από κάθε εργασία σέρβις, να ελέγχετε εάν το επίπεδο κραδασμών του μηχανήματος είναι φυσιολογικό. Εάν όχι, απευθυνθείτε στο πλησιέστερο εξουσιοδοτημένο συνεργείο.

Κάθε ημέρα

Πριν από την εκτέλεση οποιωνδήποτε εργασιών συντήρησης ή αλλαγής του εργαλείου εισαγωγής στα πνευματικά μηχανήματα, να φροντίζετε πάντα για τη διακοπή της παροχής πεπιεσμένου αέρα και την εξαέρωση του μηχανήματος πιέζοντας τη διάταξη εκκίνησης/διακοπής της λειτουργίας. Στη συνέχεια να αποσυνδέετε τον εύκαμπτο σωλήνα αέρα από το μηχάνημα.

- ◆ Να καθαρίζετε και να επιθεωρείτε το μηχάνημα και τις λειτουργίες του κάθε ημέρα πριν από την έναρξη της εργασίας.
- ◆ Να ελέγχετε το συγκρατητήρα του εργαλείου για ίχνη φθοράς και τυχόν προβλήματα λειτουργίας.
- ◆ Να διενεργείτε γενική επιθεώρηση για τυχόν διαρροές και ζημίες.
- ◆ Να ελέγχετε εάν το ρακόρ εισαγωγής αέρα είναι σφιγμένο και εάν η ζεύξη με σιαγόνες δεν έχει υποστεί ζημία.
- ◆ Για να διατηρεί το μηχάνημα τις προκαθορισμένες τιμές κραδασμών, θα πρέπει να ελέγχονται πάντα τα εξής:
Ένα υπερβολικά μεγάλο διάκενο μεταξύ στελέχους εργαλείου εισαγωγής και εδράνου κοπιδιού παράγει αυξημένους κραδασμούς. Για να αποφύγετε την έκθεση σε υπερβολικούς κραδασμούς, να ελέγχετε το έδρανο κοπιδιού για ίχνη φθοράς κάθε ημέρα.
- ◆ Εάν το μηχάνημα διαθέτει λαβή(ές) απόσβεσης κραδασμών, να ελέγχετε εάν κινείται(νται) απρόσκοπτα (πάνω και κάτω) και ότι δεν μπλοκάρει(ουν).
- ◆ Να αντικαθιστάτε αμέσως τα εξαρτήματα που έχουν υποστεί ζημία.
- ◆ Να αντικαθιστάτε εγκαίρως τα εξαρτήματα τα οποία παρουσιάζουν ίχνη φθοράς.
- ◆ Να φροντίζετε ώστε ο προσαρμοσμένος και ο σχετικός εξοπλισμός, όπως εύκαμπτοι σωλήνες, διαχωριστές νερού και συσκευές λίπανσης, να συντηρούνται κατάλληλα.

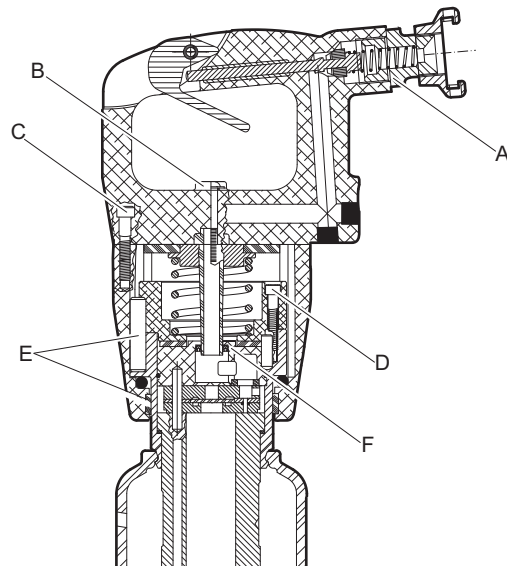
Περιοδική συντήρηση

Μετά από κάθε περίοδο 100 ωρών εργασίας ή 3 φορές το χρόνο, το μηχάνημα πρέπει να αποσυναρμολογείται και όλα τα εξαρτήματα να καθαρίζονται και να ελέγχονται. Η εργασία αυτή πρέπει να εκτελείται από εξουσιοδοτημένο προσωπικό, εκπαιδευμένο σε εργασίες αυτού του είδους.

Μπορείτε να έχετε ως οδηγό το εξής: για να υπάρχει υψηλή απόδοση, τα εξαρτήματα που αναφέρονται στον πίνακα δεν πρέπει να έχουν φθαρεί περισσότερο από τις διαστάσεις που προσδιορίζονται. Σημειώστε ότι το TEX 07PE δεν διαθέτει απόσβεση κραδασμών του εμβόλου μέσω στρώματος αέρα. Αυτό σημαίνει ότι η ικανότητα απόσβεσης κραδασμών δεν μπορεί να χρησιμοποιηθεί για να προσδιορίσει το βαθμό φθοράς στο έμβολο και τον κύλινδρο.

Εξάρτημα	Μέγιστη εσωτερική διάμετρος (χιλ.)	Ελάχιστη εξωτερική διάμετρος (χιλ.)
Κύλινδρος	28,63	-
Έμβολο	-	28,50

Οδηγίες συναρμολόγησης



- Ροπή: 88–95 Nm, χρησιμοποιήστε Loctite® 243™ (το Loctite είναι εμπορικό σήμα κατατεθέν της Henkel Corporation. Το 243 είναι εμπορικό σήμα της Henkel Corporation).
- Ροπή: 15–17 Nm, UNF 1/4" x 44 (1-3/4")
- Ροπή: 15–17 Nm, UNC 1/4" x 32 (1-1/4")
- Ροπή: 17 Nm, χρησιμοποιήστε Loctite® 243™, M6 x 40 - 12.9
- Μη λιπαίνετε τους κυλίνδρους υποστήριξης, το δακτύλιο φθοράς ή τις αντίστοιχες επιφάνειες επαφής.
- Αφαιρέστε το δακτύλιο σχήματος "O" από τη στεγανοποίηση πριν από τη συναρμολόγηση. Ο δακτύλιος σχήματος "O" είναι απλώς ένα στήριγμα που διασφαλίζει ότι η στεγανοποίηση διατηρεί το σωστό σχήμα μέχρι να τοποθετηθεί.

Αντιμετώπιση προβλημάτων

Εάν το πνευματικό μηχάνημα δεν τίθεται σε λειτουργία, έχει χαμηλή παροχή ισχύος ή ασταθή απόδοση, ελέγξτε τα εξής σημεία.

- ♦ Βεβαιωθείτε ότι το εργαλείο εισαγωγής που χρησιμοποιείται έχει τις σωστές διαστάσεις στελέχους.
- ♦ Βεβαιωθείτε ότι στο πνευματικό μηχάνημα παρέχεται η κατάλληλη ποσότητα λιπαντικού. Η υπερβολική λίπανση είναι δυνατόν να προκαλέσει προβλήματα στην εκκίνηση, χαμηλή παροχή ισχύος ή ασταθή απόδοση.
- ♦ Βεβαιωθείτε ότι το σύστημα πεπιεσμένου αέρα παρέχει στο μηχάνημα επαρκή πίεση αέρα για την επίτευξη πλήρους ισχύος.
- ♦ Βεβαιωθείτε ότι το μέγεθος και το μήκος του εύκαμπτου σωλήνα αέρα συμφωνούν με τις συνιστώμενες τιμές. Βλ. «Εγκατάσταση».
- ♦ Εάν υπάρχει κίνδυνος σχηματισμού πάγου, βεβαιωθείτε ότι οι σπές εξαγωγής του μηχανήματος δεν παρουσιάζουν έμφραξη.
- ♦ Εάν το μηχάνημα εξακολουθεί να μην λειτουργεί ικανοποιητικά μετά από αυτήν τη διαδικασία, απευθυνθείτε σε εξουσιοδοτημένο συνεργείο σέρβις.

Αποθήκευση

- Καθαρίστε το μηχάνημα κατάλληλα πριν από τη φύλαξη, ώστε να αποτραπεί η συσσώρευση επικίνδυνων ουσιών. Βλ. ενότητα «Κίνδυνος λόγω σκόνης και αναθυμιάσεων»
- Ρίξτε περίπου ½ oz (5 cl) λάδι απευθείας μέσα στο ρακόρ εισαγωγής αέρα, συνδέστε το μηχάνημα στην παροχή πεπιεσμένου αέρα και θέστε το μηχάνημα σε λειτουργία για μερικά δευτερόλεπτα.
- Να φυλάσσεται πάντα το μηχάνημα σε στεγνό χώρο.

Απόρριψη

Ένα μεταχειρισμένο μηχάνημα πρέπει να απορρίπτεται με τέτοιον τρόπο και βάσει των τοπικών περιορισμών, ώστε η ανακύκλωση του μεγαλύτερου μέρους των υλικών να είναι εφικτή και οι τυχόν αρνητικές επιπτώσεις στο περιβάλλον να ελαχιστοποιούνται.

Τεχνικά δεδομένα

Δεδομένα μηχανήματος

Τύπος	Διάσταση στελέχους mm	Βάρος kg	Μήκος mm	Κρουστική συχνότητα Hz	Κατανάλωση αέρα l/s
TEX 07PE	H19 x 50	8,7	525	29,5	17
TEX 07PE, με εμπρόσθια λαβή	H19 x 50	9,0	525	29,5	17

Δήλωση εκπομπών θορύβου και κραδασμών

Εγγυημένη στάθμη ηχητικής ισχύος **L_w** κατά EN ISO 3744 σύμφωνα με την οδηγία 2000/14/EK.

Στάθμη ηχητικής πίεσης **L_p** σύμφωνα με το EN ISO 11203.

Τιμή κραδασμών **A** και αβεβαιότητα **B** προσδιοριζόμενη σύμφωνα με EN ISO 20643. Βλ. πίνακα «Δεδομένα θορύβου και κραδασμών» για τις τιμές A, B, κ.λ.π.

Αυτές οι δηλωμένες τιμές, έχουν προκύψει από δοκιμές εργαστηριακού τύπου σύμφωνα με την αναφερόμενη οδηγία ή πρότυπα και είναι κατάλληλες για σύγκριση με τις δηλωμένες τιμές για άλλα εργαλεία τα οποία έχουν υποβληθεί σε δοκιμές σύμφωνα με την ίδια οδηγία ή πρότυπα. Αυτές οι δηλωμένες τιμές δεν είναι κατάλληλες για χρήση σε αξιολογήσεις κινδύνου και οι τιμές μέτρησης σε διαφορετικούς χώρους εργασίας ενδέχεται να είναι υψηλότερες. Οι πραγματικές τιμές έκθεσης και ο κίνδυνος βλάβης για μεμονωμένο χρήστη είναι μοναδικές και εξαρτώνται από τον τρόπο με τον οποίο εργάζεται ο χρήστης, από το υλικό στο οποίο χρησιμοποιείται το μηχάνημα, από το χρόνο έκθεσης και τη φυσική κατάσταση του χρήστη, όπως και την κατάσταση του μηχανήματος.

Εμείς, η Atlas Copco Construction Tools AB, δεν αναλαμβάνουμε την ευθύνη για τις συνέπειες της χρήσης των δηλωμένων τιμών αντί των τιμών που αντιστοιχούν στον πραγματικό χρόνο έκθεσης, σε μια κατάσταση μεμονωμένης αξιολόγησης κινδύνου σε χώρο εργασίας τον οποίο δεν ελέγχουμε.

Το εργαλείο αυτό ενδέχεται να προκαλέσει σύνδρομο κραδασμών καρπού-βραχίονα, εάν δεν χρησιμοποιείται με κατάλληλο τρόπο. Μπορείτε να ανατρέξετε σε οδηγό της ΕΕ σχετικά με την αντιμετώπιση των κραδασμών καρπού-βραχίονα στον ιστότοπο <http://www.humanvibration.com/humanvibration/EU/VIBGUIDE.html>

Συνιστούμε ένα πρόγραμμα παρακολούθησης υγείας για την έγκαιρη αναγνώριση των αρχικών συμπτωμάτων τα οποία ενδέχεται να σχετίζονται με την έκθεση σε κραδασμούς, ώστε να είναι δυνατή η τροποποίηση των διαδικασιών διαχείρισης και να αποτρέπονται σοβαρές αναπηρίες στο μέλλον.

Πρόσθετες πληροφορίες περί κραδασμών

Οι συγκεκριμένες πληροφορίες παρέχονται προς διευκόλυνση στον κατά προσέγγιση υπολογισμό της τιμής κραδασμών στο χώρο εργασίας.

Η εκπομπή των κραδασμών ποικίλλει σε μεγάλο βαθμό ανάλογα με την εργασία και την τεχνική του χειριστή. Η δηλωμένη τιμή κραδασμών αφορά την κύρια λαβή ή λαβές, και ενδέχεται να παρουσιαστούν κατά πολύ υψηλότερα επίπεδα κραδασμών σε άλλες θέσεις χεριών. Πιστεύουμε ότι η κανονική προοριζόμενη χρήση του εργαλείου συνήθως παράγει εκπομπές κραδασμών στο εύρος C^{m/s^2} και E^{m/s^2} (συνολικές τιμές κραδασμών, όπως καθορίζονται στο πρότυπο EN ISO 5349-1) ανάλογα με τις λεπτομέρειες της εργασίας, αλλά στην περίπτωση ορισμένων εφαρμογών ενδέχεται να παρουσιάζονται εκπομπές εκτός του συγκεκριμένου εύρους.

Η τιμή D^{m/s^2} και F^{m/s^2} αποτελεί ίσως μια χρήσιμη μέση τιμή κραδασμών όταν πραγματοποιείται κατά προσέγγιση υπολογισμός π.χ. των πιθανών μέσων τιμών έκθεσης χρηστών οι οποίοι εμπλέκονται σε μια ευρεία γκάμα εργασιών εντός της προοριζόμενης χρήσης του εργαλείου. Επισημαίνεται ότι η εφαρμογή του εργαλείου σε μια μόνο ειδική εργασία ενδέχεται να παράγει διαφορετικές μέσες τιμές κραδασμών και σε αυτές τις περιπτώσεις συνιστάται με έμφαση να διεξαχθεί ειδική αξιολόγηση των παραγόμενων κραδασμών.

Δεδομένα θορύβου και κραδασμών

Τύπος	Θόρυβος		Δονήσεις					
	Ηχητική πίεση	Ισχύς θορύβου	Τιμές τριών αξόνων					
	Δηλωμένες τιμές		Δηλωμένες τιμές		Πρόσθετες πληροφορίες περί κραδασμών			
	EN ISO 11203	2000/14/EK	EN ISO 20643		Σκυρόδεμα		Τούβλο	
	Lp r=1m dB(A) rel 20μPa	Lw εγγυημένο Lw dB(A) rel 1pW	A m/s ² τιμή	B m/s ² διάδοση	C m/s ² εύρος	D m/s ² μέση τιμή	E m/s ² εύρος	F m/s ² μέση τιμή
TEX 07PE Με λαβή σχήματος D μόνο	87	104	12,4	1,7	9,0-11,9	10,5	7,9-10,0	9,0
TEX 07PE Με λαβή σχήματος D και εμπρόσθια λαβή	87	104	10,5	1,5	7,5-11,2	9,6	9,6-12,2	10,6

Δήλωση Συμμόρφωσης της ΕΚ

Δήλωση Συμμόρφωσης της ΕΚ (Οδηγία ΕΚ 2006/42/ΕΚ)

Εμείς, η Atlas Copco Construction Tools AB, δια του παρόντος δηλώνουμε ότι τα μηχανήματα τα οποία αναγράφονται κατωτέρω συμμορφώνονται με τις προβλέψεις των Οδηγιών της ΕΚ 2006/42/ΕΚ (Οδηγία περί Μηχανημάτων) και 2000/14/ΕΚ (Οδηγία περί Θορύβου), όπως και τα εναρμονισμένα πρότυπα που αναγράφονται κατωτέρω.

Αερόσφυρες χειρός	Εγγυημένη στάθμη ηχητικής ισχύος [dB(A)]	Στάθμη μέτρησης ηχητικής ισχύος [dB(A)]	Pmax (bar)
TEX 07PE	104	98	7

Εφαρμόστηκαν τα εξής εναρμονισμένα πρότυπα:

- ◆ EN ISO 11148-4

Εφαρμόστηκαν τα εξής άλλα πρότυπα:

- ◆ Lloyds Register Quality Assurance, NoBo no.0088

Εξουσιοδοτημένος εκπρόσωπος τεχνικής τεκμηρίωσης:

Per Forsberg

Atlas Copco Construction Tools AB

Dragonvägen 2

Kalmar

Αντιπρόεδρος Τμήματος Σχεδιασμού και Ανάπτυξης:

Erik Sigfridsson

Κατασκευαστής:

Atlas Copco Construction Tools AB

105 23 Stockholm

Sweden

Τόπος και ημερομηνία:

Kalmar, 2012-06-30

SUOMI

Sisällys

Johdanto.....	173
Tietoja turvallisuusohjeista ja käyttöohjeesta.....	173
Turvallisuusohjeet.....	174
Turvasignaali-tekstit.....	174
Henkilökohtaiset varotoimenpiteet ja valmiudet.....	174
Henkilökohtainen suojavarustus.....	174
Huumeet ja alkoholin tai lääkkeiden käyttö.....	174
Asennus, varotoimenpiteet.....	174
Käyttö, varotoimenpiteet.....	175
Kunnossapito, varotoimenpiteet.....	178
Varastointi, varotoimenpiteet.....	179
Yleistä.....	180
Rakenne ja toiminta.....	180
Työtehtävän edellyttämän piikkausvasaran valinta.....	180
Tärkeimmät osat.....	180
Tarrat.....	180
Tietolevy.....	181
Melutasokilpi.....	181
Turvamerkintä.....	181
Asennus.....	181
Letkut ja liitännät.....	181
Jäätymisen estämismenetelmiä.....	181
Vedenerottimen liittäminen.....	182
Voitelu.....	182
Työkalu.....	182
Oikean työkalun valinta.....	182
Kapea taltta.....	182
Teräväkärkinen taltta.....	182
Leveäkärkinen taltta.....	182
Työkalun asentaminen ja irrottaminen.....	182
Käyttö.....	183
Käynnistys ja pysäytys.....	183
Käyttö.....	183
Työn aloittaminen.....	183
Murtaminen.....	183
Poistuessasi tauolle.....	184
Huolto.....	184
Päivittäin.....	184
Määräaikaishuollot.....	184
Kokoamisohjeet.....	185
Vianmääritys.....	185
Varastointi.....	185
Käytöstä poisto.....	185
Tekniset tiedot.....	186
Koneen tiedot.....	186
Melu- ja värinäarvoilmoitus.....	186
Lisätietoja värinöistä.....	186

Melu- ja värinätiedot	187
CE-vaatimustenmukaisuusvakuutus	188
CE-vaatimustenmukaisuusvakuutus (EY-direktiivi 2006/42/EY)	188

Johdanto

Kiitos kun valitsit Atlas Copcon tuotteen. Jo vuodesta 1873 lähtien olemme halunneet kehittää uusia ja parempia tapoja täyttää asiakkaittemme tarpeet. Vuosien mittaan olemme suunnitelleet uudentyyppisiä ja ergonomisia tuotteita, joiden avulla asiakkaamme ovat voineet tehostaa ja rationalisoida päivittäistä työtään.

Atlas Copcolla on tehokas, asiakaspalvelukeskuksista ja jälleenmyyjäliikkeistä koostuva maailmanlaajuinen myynti- ja huoltoverkosto. Erikoiskoulutuksen saaneet asiantuntijamme hallitsevat kaiken tuotteisiimme ja sovelluksiimme liittyvän tiedon. Voimme tarjota tuotetukea ja asiantuntijapalveluita kaikkialla maailmassa, ja siten asiakkaamme voivat olla varmoja, että he pystyvät työskentelemään kaikkina aikoina parhaalla mahdollisella tehokkuudella.

Lisätietoja on osoitteessa: www.atlascopco.com

Atlas Copco Construction Tools AB
105 23 Stockholm
Sweden

Tietoja turvallisuusohjeista ja käyttöohjeesta

Ohjeiden tarkoituksena on neuvoa käyttäjille paineilmasaran tehokas ja turvallinen käyttötapa. Lisäksi ohjeissa neuvotaan paineilmasaralle tehtävät säännölliset huoltotyöt.

Ennen paineilmasaran käytön aloittamista sinun on perehdyttävä näihin ohjeisiin perusteellisesti.

Turvallisuusohjeet

Ennen kuin alat asentaa, käyttää, korjata tai huoltaa konetta tai vaihtaa sen lisävarusteita, perehdy turvallisuusohjeisiin ja käyttöohjeeseen.

Turvallisuusohjeita noudattamalla vältetään vakavilta vammautumisilta ja hengenvaaralta.

Toimita nämä turvallisuusohjeet ja käyttöohje työkohteisiin ja anna työntekijöille kopiot. Varmista, että kaikki konetta käsittelevät perehtyvät turvallisuusohjeisiin ja käyttöohjeeseen ennen koneen käyttöä tai huoltotöitä.

Lisäksi koneen käyttäjän tai hänen työnantajansa tulee arvioida koneen käytöstä johtuvat erityiset työturvallisuusriskit.

Turvasignaali-tekstit

Turvasignaali-tekstit Vaara, Varoitus ja Huomio tarkoittavat seuraavaa:

VAARA	Välitön vaaratilanne, jonka laiminlyönti johtaa hengenvaaraan tai vakavaan vammautumiseen.
VAROITUS	Välitön vaaratilanne, jonka laiminlyönti voi johtaa hengenvaaraan tai vakavaan vammautumiseen.
HUOMIO	Mahdollinen vaaratilanne, jonka laiminlyönti voi johtaa vähäiseen tai lievään vammaan.

Henkilökohtaiset varotoimenpiteet ja valmiudet

Vain ammattitaitoiset ja koulutetut henkilöt saavat käyttää tai huoltaa konetta. Heidän täytyy olla riittävän voimakkaita käsittelemään painavaa työkalua. Luota aina terveeseen järkeen ja älä tee mitään harkitsematonta.

Henkilökohtainen suojavarustus

Käytä aina hyväksytyjä suojavarusteita. Koneen käyttäjän ja muiden työalueella olevien henkilöiden on käytettävä henkilösuojaimia, vähintään:

- suojakypärää
- kuulonsuojaimia
- sivusuojilla varustettuja iskunkestäviä suojalaseja
- hengityssuojaimia tilanteen sitä edellyttäessä
- suojakäsineitä
- asianmukaisia turvasaappaita

- asianmukaisia työhaalareita tai vastaanvanlaisia vaatteita (ei löysiä), jotka peittävät käsivarret ja sääret.

Huumeet ja alkoholin tai lääkkeiden käyttö

▲ VAROITUS Huumeet ja alkoholin tai lääkkeiden käyttö

Huumeet, alkoholi tai lääkkeet voivat heikentää arvostelukykysi ja keskittymistäsi. Reagointikyvyn heikkeneminen ja väärät tilannearviot voivat johtaa vakavaan vammautumiseen tai hengenvaaraan.

- ▶ Älä käytä konetta, jos olet väsynyt tai huumeiden, alkoholin tahi lääkkeiden vaikutuksen alaisena.
- ▶ Huumeiden, alkoholin tai lääkkeiden vaikutuksen alaisena oleva henkilö ei saa käyttää konetta.

Asennus, varotoimenpiteet

▲ VAARA Ympäristöä piiskaava paineilmaletku

Irti päässyt paineilmaletku voi iskeytyä hallitsemattomasti ja aiheuttaa henkilövahingon tai hengenvaarallisia tilanteita. Vaaratilanteiden estämiseksi:

- ▶ Tarkista, että paineilmaletku ja sen liittimet ovat ehjät. Tarvittaessa vaihda osat uusiin.
- ▶ Tarkista, että paineilmaletkun kaikki liittimet ovat oikein paikallaan.
- ▶ Älä koskaan kanna paineilmakäyttöistä konetta sen ilmaletkun varassa.
- ▶ Älä koskaan yritä irrottaa paineistettuna olevaa ilmaletkua liitännästä. Katkaise ensin paineilman tulo kompressorista ja tyhjennä sitten kone paineilmasta painamalla liipaisinta.
- ▶ Älä käytä työkalun kiinnitykseen pikaliittimiä. Käytä karkaistusta teräksestä (tai vastaavan iskunkestävyyden materiaalista) valmistettuja, paikalleen kierrettäviä letkunliittimiä.
- ▶ Käytettäessä yleismallisia, kierrettäviä liittimiä (kynsiliittimiä) suosittelemme lukkotappien asentamista ja turvavaijereita, joilla estetään letkujen hallitsematonta piiskaamista, mikäli letkun ja työkalun liitäntä tai letkuliitin rikkoutuu.

▲ VAARA Paineilma

Iholle osuva paineilma saattaa tunkeutua ihon läpi ja aiheuttaa vakavan henkilövahingon tai kuoleman.

- ▶ Katkaise aina ilmansyöttö, tyhjennä ilmanpaine letkusta ja irrota kone ilmansyötöstä, kun sitä ei käytetä, ennen työvälineiden vaihtoa tai korjaustöitä.
- ▶ Älä koskaan osoita paineilemällä itseäsi tai ketään muuta. Tapaturmavaaran välttämiseksi älä koskaan yritä puhdistaa pölyä tai likaa vaatteistasi paineilmalla.

▲ VAROITUS Voimakkaasti sinkoutuva työkalu

Jos koneen työkalun pidike ei ole lukittu asentoonsa, työkalu voi sinkoutua voimakkaasti ja aiheuttaa henkilövahinkoja.

- ▶ Älä koskaan käynnistä konetta työkalun vaihtamisen ollessa kesken.
- ▶ Ennen työkalun tai lisävarusteiden vaihtamista pysäytä kone, kytke tehonsyöttö pois päältä ja tyhjennä kone painamalla liipaisinta.
- ▶ Älä koskaan osoita työkalulla itseäsi tai ketään muuta.
- ▶ Varmista ennen koneen käynnistämistä, että työkalu on täydellisesti paikallaan ja työkalun pidike on lukitusasennossa.
- ▶ Tarkista lukitustoiminnon pitävyys vetämällä paikalleen työnnettyä työkalua voimakkaasti ulospäin.

▲ VAROITUS Liikkumaan pääsevä tai irtoava työkalu

Työkalun väärän mittaisen varren käyttö voi johtaa työkalun putoamiseen tai äkilliseen irtoamiseen. Vakavan henkilövahingon vaara tai käsien ja sormien puristumisvaara.

- ▶ Tarkista, että käytettävän työkalun varren pituus ja mitat vastaavat koneen käyttötarkoitusta.
- ▶ Älä käytä työkalua, jossa ei ole kauluskappaletta.

Käyttö, varotoimenpiteet**▲ VAARA Räjähdyksivaara**

Jos työkalu joutuu kosketuksiin räjähtävien aineiden tai kaasujen kanssa, seurauksena voi olla räjähdys. Tietyntyypisten materiaalien työstö ja tietyt koneen osissa käytettävät materiaalit voivat johtaa kipinöintiin ja materiaalien syttymiseen. Räjähdykset johtavat vakavaan vammautumiseen tai hengenvaaraan.

- ▶ Älä koskaan käytä konetta räjähdysriskissä ympäristössä.
- ▶ Älä koskaan käytä konetta herkästi syttyvien materiaalien, höyryjen tai pölyn läheisyydessä.
- ▶ Varmista, että lähellä ei ole mitään piileviä kaasunpurkaus- tai räjähdysläheteitä.

▲ VAROITUS Odottamattomat liikkeet

Työkaluun kohdistuu koneen käytön aikana ankaraa rasitusta. Tietyn käyttöajan jälkeen työkalu voi rikkoutua materiaalin väsymisen johdosta. Jos työkalu rikkoutuu tai juuttuu, kone saattaa liikkua äkillisesti tai odottamattomaan suuntaan. Lisäksi tasapainon menetys tai liukastuminen voi johtaa henkilövahinkoon.

- ▶ Varmista, että sinulla on aina tukeva jalansija. Pyri säilyttämään mahdollisimman hyvä ja vakaa tasapaino pitämällä jalat riittävän etäällä toisistaan.
- ▶ Tutki laitteisto joka kerta ennen sen käyttöä. Älä koskaan käytä laitteistoa, jos epäilet sen olevan vaurioitunut.
- ▶ Varmista, että kahvat ovat puhtaat. Pyyhi pois mahdollinen rasva tai öljy.
- ▶ Pidä jalat etäällä työkalusta.
- ▶ Seiso vakaasti ja pidä aina molemmin käsin koneesta kiinni.
- ▶ Älä koskaan käynnistä konetta sen ollessa maassa pitkällään.
- ▶ Älä tukeudu koneeseen pitämällä jalkaa kahvan päällä.
- ▶ Älä koskaan lyö tai kolhi mitään laitteiston osaa tahallasi.
- ▶ Tarkasta työkalun kuluneisuus säännöllisesti. Tarkasta myös, onko siinä näkyviä murtumia tai muita vaurioita.
- ▶ Keskity työhön, jota teet.

▲ VAROITUS Pöly- ja savukaasuvaara

Koneen käytöstä syntyvä pöly ja savukaasut voivat aiheuttaa vakavia ja pysyviä hengitysteiden sairauksia, ammattitauteja tai muita henkilövammoja (esimerkiksi keuhkofibroosin tai muun peruuttamattoman hengenvaarallisen keuhkosairauden, syöpää, vaurioita syntyville lapsille ja/tai ihotulehduksia).

Poraamisen, iskuvasaroinnin, sahauksen, hionnan ja muiden rakennustöiden aikana syntyvät tietyt pölyt, huuрут tai muut hengitysilmaan kulkeutuvat ainesosat saattavat sisältää kemikaaleja, jotka Kalifornian osavaltion tietojen mukaan aiheuttavat hengitysteiden sairauksia, syöpää sekä syntyville lapsille vaurioita tai muita ongelmia. Esimerkkejä tällaisista aineista ovat:

- Kiteinen kvartsi, sementti ja muut muuraustuotteet.
- Kemiallisesti käsitellystä kumista erittyvä arseeni ja kromi.
- Lyijypohjaisista maaleista erittyvä lyijy.

Ilmassa kulkeutuva pöly ja savukaasut voivat olla paljaalle silmälle näkymättömiä, joten silminnähdessä ei voida aina päätellä, onko ilmassa pölyä ja savukaasuja.

Estä altistumista pölylle ja savukaasuille seuraavilla toimenpiteillä:

- ▶ Tee työmaakohtainen riskianalyysi. Riskianalyysissä tulee ottaa huomioon koneen käytöstä johtuvat pöly ja savukaasut ja lisäksi kohteessa jo olevan pölyn leviäminen työn vaikutuksesta.
- ▶ Työkohteessa on käytettävä asianmukaisia ilmanvaihtolaitteistoja, joilla vähennetään pölyn ja savukaasujen määrää ilmassa sekä pölyn kerääntymistä laitteiden, pintojen vaatteiden ja kehon osien päälle. Esimerkkejä puhdistuslaitteistoista ovat: alipaineiset ilmanvaihto- ja pölynkeruujärjestelmät, veden suihkuttaminen ja märkäporaus. Estä pölyämistä ja savukaasujen muodostusta jo niiden lähteessä, mikäli mahdollista. Varmista, että puhdistuslaitteistot asennetaan ja huolletaan asianmukaisesti ja että niitä käytetään oikein.
- ▶ Käytä työsuojelu- ja turvamääräysten mukaisia hengityssuojaimia työnantajan ohjeistamalla tavalla. Hengityssuojainten on sovellettava käsiteltävien materiaalien aiheuttamien haittojen ehkäisyyn (ja tietyissä tapauksissa niille tulee olla vastaavan hallintoviranomaisen hyväksyntä).
- ▶ Varmista työalueen ilmanvaihdon riittävyys.
- ▶ Jos kone tuottaa pakokaasuja, suuntaa ne pois siten, etteivät ne aiheuta pölyhaittojen lisääntymistä työympäristössä.

- ▶ Käytä ja huolla konetta tässä käyttöohjeessa ja turvallisuusohjeissa kuvatulla tavalla.
- ▶ Käytä oikean tyyppisiä työkaluja ja kulutusosia ja huolla niitä tässä käyttöohjeessa kuvatulla tavalla. Väärän tyyppisten työkalujen ja kulutusosien käyttö tai niiden virheellisesti tehty huollot ja väärä käyttötapa voivat johtaa pölyn ja savukaasujen tarpeettomaan lisääntymiseen.
- ▶ Käytä pestäviä tai kertakäyttöisiä suojavaatteita ollessasi työmaalla. Käy suihkussa ja vaihda puhtaat vaatteet ennen kuin lähdet työpaikalta, jotta sinä, muut ihmiset, autot, asunnot ja muut paikat eivät pääse altistumaan pölylle ja savukaasuille.
- ▶ Vältä syömistä, juomista tai tupakointia alueilla, joissa ilmassa on pölyä ja savukaasuja.
- ▶ Pese kätesi ja kasvosi huolellisesti heti altistumista aiheuttavalta työskentelyalueelta poistumisen jälkeen ja aina ennen kuin syöt, juot tai tupakoit tai olet yhteydessä muihin henkilöihin.
- ▶ Noudata kaikkia voimassa olevia lakeja ja määräyksiä, myös työpaikkakohtaisia työsuojelun ja turvamääräyksiä.
- ▶ Osallistu työnantajan tai ammattijärjestöjen järjestämiin ja työsuojelulainsäädännön edellyttämiin ja suositeltuihin terveystarkastuksiin sekä ilmanseuranta- ja koulutusohjelmiin. Kysy tarvittaessa lisäohjeita työterveyslääkäriltä.
- ▶ Toimi yhteistyössä työnantajasi ja ammattijärjestön kanssa, jotta pölylle ja savukaasuille altistuminen voidaan välttää työmaalla parhaalla mahdollisella tavalla. Työmaalle on laadittava työterveys- ja työsuojelualan asiantuntijoiden ohjeiden perusteella asianmukaiset työterveys- ja työturvallisuusohjelmat sekä menettelytapaohjeet, joilla voidaan suojata työntekijät ja muut alueella oleskelevat altistumiselta pölylle ja savukaasuille. Lisätietoja saat alan asiantuntijoilta.
- ▶ Vaarallisten aineiden jäämät koneessa voivat olla riski. Puhdista kone perusteellisesti ennen huoltotöiden aloittamista.

▲ VAROITUS Sinkoutuvat esineet

Työstökappaleen, lisävarusteiden tai koneen vaurioitumisen johdosta ympäristöön voi levitä kovalla nopeudella sinkoutuvia esineitä. Töiden yhteydessä irtoavat kivensirut ja muut materiaalit voivat sinkoutua ympäristöön ja aiheuttaa osuessaan henkilövammoja käyttäjälle tai muille henkilöille. Vaaratilanteiden estämiseksi:

- ▶ Käytä työssä aina hyväksytyjä henkilösuojaimia ja suojakypärää, mukaan lukien sivusuojilla varustettuja, iskunkestäviä suojalaseja.
- ▶ Varmista, että sivulliset eivät pääse työalueelle.
- ▶ Pidä työskentelyalue vapaana vieraista esineistä.
- ▶ Varmista, että työstökappale on turvallisesti kiinnitetty paikalleen.

▲ VAROITUS Sirpalevaarat

Jos työkalua käytetään käsin tehtävään iskentään, kohteesta saattaa singota henkilövammoja aiheuttavia sirpaleita.

- ▶ Älä koskaan käytä työkalua lyömäesineenä. Ne on suunniteltu ja lämpökäsitelty yksinomaan konekäyttöön.

▲ VAROITUS Liukastumis-, kompastumis- ja kaatumisvaarat

Työmaalla on esimerkiksi letkujen tai muiden esteiden johdosta liukastumis-, kompastumis- ja kaatumisvaara. Liukastuminen, kompastuminen tai kaatuminen voi aiheuttaa henkilövahinkoja.

Vaaratilanteiden estämiseksi:

- ▶ Varmista, että omalla tai muiden henkilöiden reiteillä ei ole letkuja tai muita esteitä.
- ▶ Varmista, että sinulla on aina tukeva jalansija. Pyri säilyttämään mahdollisimman hyvä ja vakaa tasapaino pitämällä jalat riittävän etäällä toisistaan.

▲ VAROITUS Äkillisten liikkeiden aiheuttamat vaaratilanteet

Käyttäessäsi konetta työssä saatat tuntea epämukavaa tunnetta kämmenissä, käsivarsissa, olkapäissä, niskassa tai kehon muissa osissa.

- ▶ Ota aina mukavalta tuntuva, tukeva ja vakaa työasento.
- ▶ Jos työ kestää pitkään, vaihda ajoittain asentoa välttääksesi epämukavan tunteen ja väsymisen.
- ▶ Jos koet jatkuvia tai toistuvia raskuudesta johtuvia oireita, käänny työterveyslääkärin puoleen.

▲ VAROITUS Tärinävaarat

Koneen normaali ja oikea käyttötapa altistaa käyttäjän tärinöille. Säännöllinen ja toistuva altistuminen tärinöille voi aiheuttaa, myötävaikuttaa tai pahentaa vammoja tai terveydentilaan liittyviä ongelmia, joita käyttäjän sormille, käsille, ranteille, käsivarsille, olkapäille ja/tai hermosto- ja verenkiertojärjestelmälle tai muille kehon osille aiheutuu. Tällaisia ovat myös lihasten ja raajojen yleinen rappeutuminen ja/tai pysyvät vammat tai terveydentilaan liittyvät ongelmat, jotka saattavat kehittyä vähitellen viikkojen, kuukausien tai vuosien kuluessa. Näihin vammoihin tai terveydellisiin ongelmiin voi sisältyä verenkiertojärjestelmän vaurioituminen, hermojärjestelmän vaurioituminen, nivelten vaurioituminen ja mahdolliset vauriot muille kehon osille ja rakenteille.

Jos havaitset toistuvaa epämukavuuden tunnetta, puutumista, kuumotusta, kihelmöintiä, kipua, kankeutta, otteen heikentymistä, ihon vaalenemista tai tuntoherkkyyden alenemista käyttäessäsi konetta ja myös silloin, kun et käytä konetta, keskeytä työnteko, ilmoita asiasta työnantajalle ja käänny lääkärin puoleen. Koneen käytön jatkaminen mainittujen oireiden ilmenemisen jälkeen voi johtaa oireiden kehittymiseen vakaviksi ja/tai pysyviksi.

Käyttämällä ja huoltamalla konetta tässä käyttöohjeessa kuvatulla tavalla voidaan estää tarpeettomasti kohoavat tärinätasot.

Koneen käyttäjän altistumista tärinöille voi lieventää seuraavilla toimenpiteillä:

- ▶ Anna koneen tehdä työ. Pidä kädensijasta kiinni mahdollisimman löysästi varmistaen kuitenkin, että säilytät koneen hallinnan ja että sen käyttö on koko ajan turvallista.
- ▶ Jos kone on varustettu tärinänvaimennuskahvoilla, pidä ne keskiasennossa ja vältä kahvojen puristamista ääriasentoihin saakka.
- ▶ Kun iskumeکانismi aktivoituu, pidä kiinni koneen kädensijasta tai kädensijoista vain käsilläsi. Älä kosketa koneeseen muulla kehollasi. Älä esimerkiksi tue konetta kehollasi ja älä yritä lisätä syöttövoimaa nojaamalla kehollasi konetta vasten. Älä koskaan pidä liipaisinta turhaan painettuna vetäessäsi konetta irti rivotusta pinnasta.
- ▶ Varmista, että koneessa oleva työkalu on aina hyvin huollettu (myös terävä, jos kyseessä on leikkausterä), se ei ole kulunut ja on oikean kokoinen. Työ kestää kauemmin (ja samalla altistuminen tärinälle kestää kauemmin) huonosti huolletuilla, kuluneilla tai väärän kokoisilla työkaluilla, jolloin käyttäjä altistuu tarpeettomasti voimakkaammalle tärinälle.

- ▶ Jos kone alkaa yhtäkkiä tärinästä voimakkaasti, lopeta sen käyttäminen välittömästi. Selvitä ja korjaa lisääntyneiden tärinöiden syy ennen työn jatkamista.
- ▶ Älä koskaan tartu työkalusta äläkä kosketa sitä käyttäessäsi konetta.
- ▶ Osallistu työnantajan järjestämiin ja lainsäädännön edellyttämiin terveystarkastuksiin ja koulutusohjelmiin.
- ▶ Työskennellessäsi kylmissä olosuhteissa käytä lämpimiä vaatteita ja pidä kädet lämpiminä ja kuivina.
- ▶ Poistoilma on voimakkaasti jäädytettyä eikä se saa koskea käyttäjään. Suuntaa poistoilma aina pois käsistä ja kehosta.

Lue myös kohdan ”Melu- ja tärinäarvoilmoitus” tiedot ja niissä ilmoitetut tärinäarvot. Nämä tiedot löytyvät tämän turvallisuus- ja käyttöohjeen lopusta.

- ◆ Käytä konetta vain suositellulla paineilmasyötön voimakkuudella. Liian suuri tai normaalia pienempi paineilma voi johtaa tärinöiden lisääntymiseen.

▲ VAARA Sähkövirran aiheuttamat vaaratilanteet

Konetta ei ole eristetty sähköiskuja vastaan. Koneeseen kohdistuva sähkövirta saattaa johtaa vakavaan vammautumiseen tai hengenvaaraan.

- ▶ Älä koskaan käytä konetta sähköjohtojen tai muiden sähkölaitteiden lähellä.
- ▶ Varmista, että työskentelyalueella ei ole piileviä johtoja tai muita sähkölaitteita.

▲ VAROITUS Piilossa olevien esineiden aiheuttamat vaaratilanteet

Piilevät johdot tai putket aiheuttavat töiden yhteydessä vaaratilanteita, jotka voivat johtaa vakavaan vammautumiseen.

- ▶ Tarkista työstettävän materiaalin koostumus ennen töiden aloittamista.
- ▶ Pyri havaitsemaan mahdolliset piilevät sähköjohdot, vesi-, viemäri- ja kaasuputket sekä puhelinjohdot.
- ▶ Jos työkalu näyttää osuneen rakenteessa olevaan piilevään kohteeseen, sammuta kone välittömästi.
- ▶ Varmista ennen työn jatkamista, että vaaraa ei ole.

▲ VAROITUS Tahaton käynnistäminen

Koneen tahaton käynnistäminen saattaa aiheuttaa henkilövahingon.

- ▶ Koske liipaisimeen vasta käynnistäessäsi konetta.
- ▶ Opettele koneen sammuttaminen hätätilanteessa.
- ▶ Vapauta liipaisin välittömästi, jos koneen voimanlähteen käyttö estyy.
- ▶ Ennen työkalun asennusta tai irrotusta katkaise paineilmansyöttö, tyhjennä kone paineilmaista painamalla liipaisinta ja irrota kone tehonlähteestä.

▲ VAROITUS Meluvaarat

Korkeat melutasot voivat aiheuttaa pysyvien kuulovammojen ohella muita kuulo-ongelmia, esimerkiksi korvien tinnitusta (soimista, surinaa tai viheltävää tai humisevaa ääntä). Vaaratilanteiden ilmeneminen ja tarpeettomasti kohoavat melutasot voidaan estää:

- ▶ Suorittamalla näihin vaaratilanteisiin liittyvät riskianalyytit ja toteuttamalla niiden edellyttämät työsuojelutoimenpiteet.
- ▶ Käyttämällä ja huoltamalla konetta tässä käyttöohjeessa kuvatulla tavalla.
- ▶ Valitsemalla työkalun ja käyttämällä ja huoltamalla sitä tässä käyttöohjeessa kuvatulla tavalla.
- ▶ Jos koneessa on äänenvaimennin, tarkistamalla sen paikallaan olo ja käyttökuntoisuus.
- ▶ Käyttämällä aina kuulosuojainta.
- ▶ Käyttämällä vaimennusmateriaaleja, jotka estävät työstökappaleiden tuottamat voimakkaat ja kuuluvat äänet.

Kunnossapito, varotoimenpiteet

▲ VAROITUS Koneen muutostyöt

Jos koneeseen tehdään muutostöitä, seurauksena saattaa olla vakavia vammoja sekä itsellesi että muille.

- ▶ Älä koskaan tee koneeseen muutostöitä. Koneet, joihin on tehty muutostöitä, eivät kuulu takuun tai tuotevastuun piiriin.
- ▶ Käytä aina alkuperäisvaraosia, työkaluja ja Atlas Copcon hyväksymiä lisävarusteita.
- ▶ Uusi vaurioituneet osat viipymättä.
- ▶ Uusi kuluneet koneenosat hyvissä ajoin.

▲ HUOMIO Kuuma työkalu

Työkalun kärki voi käytön aikana kuumentua ja tulla teräväksi. Sen koskettaminen voi aiheuttaa palovammoja ja haavoja.

- ▶ Älä koskaan kosketa kuumaa tai terävää työkalua.
- ▶ Ennen huoltotöiden aloittamista odota, kunnes työkalu on jäähtynyt.

▲ VAROITUS Työkalun aiheuttamat vaaratilanteet

Huoltotyön tai asennuksen aikana liipaisimen varomaton käsittely voi johtaa vakaviin henkilövahinkoihin koneen tehonlähteen kytkeytyessä päälle.

- ▶ Älä koskaan tarkasta, puhdista, asenna tai irrota työkalua, jos tehon lähde on kytkettynä koneeseen.

Varastointi, varotoimenpiteet

- ◆ Säilytä kone ja työkalut turvallisessa ja lukitussa paikassa poissa lasten ulottuvilta.

Yleistä

Ennen kuin alat asentaa, käyttää, korjata tai huoltaa konetta tai vaihtaa sen lisävarusteita, perehdy turvallisuusohjeisiin ja käyttöohjeeseen. Turvallisuusohjeita noudattamalla vältetään vakavilta vammautumisilta ja hengenvaaralta.

Rakenne ja toiminta

Nämä ohjeet koskevat TEX 07PE -konetta. TEX 07PE on varustettu tärinää vaimentavalla D-kahvalla, ja se soveltuu kevyisiin purku- ja tuotantotöihin. Konetta voi käyttää sekä vaaka- että pystysuunnassa. Muunlainen käyttö ei ole sallittua. Käytä oikean työkalun valinnassa varaosaluetteloa.

Työtehtävän edellyttämän piikkausvasaran valinta

On tärkeää valita työtehtävän edellyttämä, oikeankokoinen piikkausvasara.

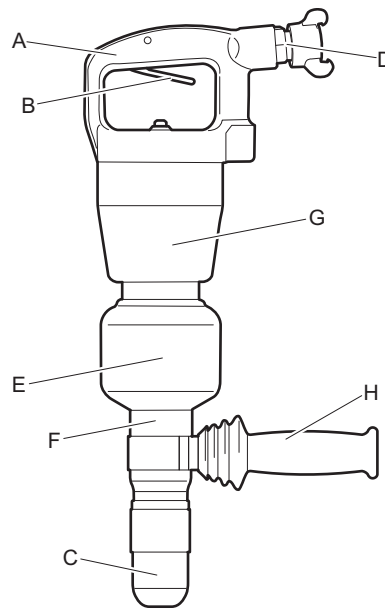
Liian pienen piikkausvasaran valinta johtaa työn normaalia pitempään keston.

Liian suuren vasaran valinta johtaa tarpeettoman useisiin kohteen vaihtoihin, mikä on uuvuttavaa käyttäjälle.

Yksinkertainen sääntö oikean kokoinen piikkausvasaran valinnassa on, että normaalikokoisen murretun materiaalipalan tulee irrota 5-10 sekunnin työskentelyn tuloksena.

- Jos pala irtoaa alle 5 sekunnissa, on valittava pienempi piikkausvasara.
- Jos palan irrottaminen kestää yli 10 sekuntia, on valittava isompi piikkausvasara.

Tärkeimmät osat

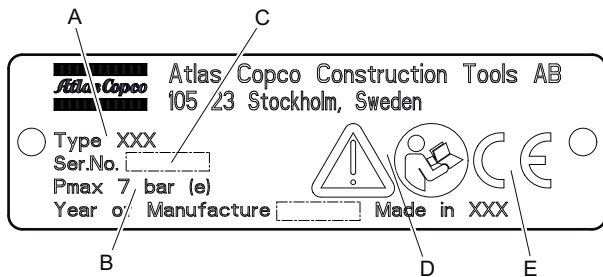


- A. Kahva
- B. Liipaisin
- C. Työkalunpidike
- D. Ilmanotto
- E. Äänenvaimennin
- F. Sylinteri
- G. Kotelo
- H. Etukahva (lisävaruste)

Tarrat

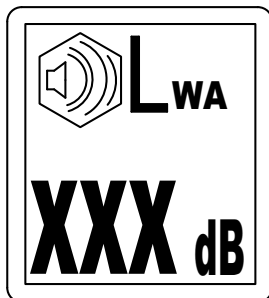
Tässä koneessa on käyttöturvallisuuden kannalta tärkeät turva- ja huoltokilvet. Kilvet on pidettävä sellaisessa kunnossa, että ne on helppo lukea. Uusia kilpiä voi tilata varaosaluettelon avulla.

Tietolevy



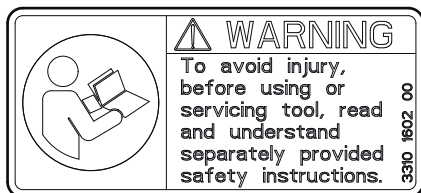
- A. Konetyyppi
- B. Suurin sallittu paineilman paine
- C. Sarjanumero
- D. Varoitussymboli ja kirjasymboli tarkoittavat, että käyttäjän on perehdyttävä turvallisuusohjeisiin ja käyttöohjeeseen ennen koneen ensimmäistä käyttökertaa.
- E. CE-merkki tarkoittaa, että kone on saanut EY-hyväksynnän. Lisätietoja on koneen mukana toimitettavassa EY-vaatimustenmukaisuusvakuutuksessa. Jos CE-merkki puuttuu, se tarkoittaa, että kone ei ole saanut EY-hyväksyntää.

Melutasokilpi



Kilpi ilmoittaa EY-direktiivin 2000/14/EY mukaisen taatun enimmäismelutason. Tarkat tiedot melutasosta ovat kohdassa "Tekniset tiedot".

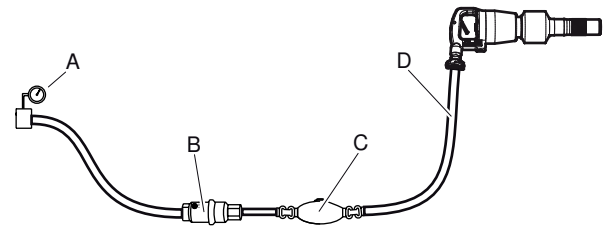
Turvamerkintä



Vammojen välttämiseksi perehdy erillisiin turvaohjeisiin ennen kuin alat käyttää tai huoltaa konetta.

Asennus

Letkut ja liitännät



- A. Paineilmalähde
- B. Vedenerotin (lisävaruste)
- C. Voitelulaite (lisävaruste)
- D. Enintään 3 m (10 ft) voitelulaitteen ja koneen välistä paineilmaletkua.
- ◆ Tarkista, että käytössä on valmistajan suosittelema käyttöpaine, 6 baaria (e) (87 psi).
 - ◆ Koneen suurinta sallittua ilmanpainetta, 7 baaria (e) (102 psi), ei saa ylittää.
 - ◆ Puhalla mahdolliset epäpuhtaudet paineilmaletkusta, ennen kuin liität sen koneeseen.
 - ◆ Valitse oikeanmittainen ja -pituisen paineilmaletku. Jos tarvittava letku on enintään 30 m (100 ft) pituisen, on käytettävä letkua, jonka sisähalkaisija on vähintään 19 mm (3/4 in.). Jos letkun pituus on 30–100 m (100-330 ft), on käytettävä letkua, jonka sisähalkaisija on vähintään 25 mm (1 in.).

Jäätymisen estämismenetelmiä

Äänenvaimentimeen saattaa muodostua jäätä, kun ympäristön lämpötila on 0-10 °C (32-50 °F) ja suhteellinen kosteus on korkea.

Kone on suunniteltu siten, että jäätä ei juuri muodostu. Tästä huolimatta voi äärimmäisissä olosuhteissa jäätä muodostua.

Jään muodostumista voit estää seuraavalla tavalla:

- ◆ Käytä voiteluaineena Atlas Copco Breaker and hammer AIR-OIL -öljyä. Breaker and hammer AIR-OIL estää jäätymistä.
- ◆ Käytä vedenerotinta.

Vedenerottimen liittäminen

Käytä kompressorin ja vedenerottimen välillä riittävän pitkää letkua, jotta vesihöyry ennättää jäähtyä ja tiivistyä letkussa ennen tuloaan vedenerottimeen.

Jos ympäristön lämpötila on alle 0 °C (32 °F), letkun on oltava riittävän lyhyt, jotta vesi ei ehdi jäätyä letkussa ennen tuloaan vedenerottimeen.

Voitelu

Voitelu on tärkeää koneen toiminnan kannalta, ja se vaikuttaa merkittävästi koneen käyttöikään. Jos sisäänrakennettua voitelulaitetta ei ole, yhdistä erillinen voitelulaite ilmaletkuun. Riittävän voitelun varmistamiseksi erillisen voitelulaitteen ja koneen välinen letku saa olla enintään 3 metrin mittainen.

Käytä synteettistä voiteluainetta, esimerkiksi Atlas Copcon iskuvasaroille tarkoitettua AIR-OIL-öljyä, tai mineraaliöljyä, joka vastaa ominaisuuksiltaan seuraavassa taulukossa olevia öljyalaatuseroituksia.

Voiteluaine	Lämpötila-alue (°C)	Viskositeetti
AIR-OIL-iskuvasaraöljy	-30 – +50	-
Mineraaliöljy/synteettinen öljy	+15 – +50	ISO VG 46-68
Mineraaliöljy/synteettinen öljy	-20 – +15	ISO VG 22-32

Työkalu

▲ HUOMIO Kuuma työkalu

Työkalun kärki voi käytön aikana kuumentua ja tulla teräväksi. Sen koskettaminen voi aiheuttaa palovammoja ja haavoja.

- ▶ Älä koskaan kosketa kuumaa tai terävää työkalua.
- ▶ Ennen huoltotöiden aloittamista odota, kunnes työkalu on jäähtynyt.

HUOMAUTUS Älä koskaan jäähdytä kuumaa työkalua vedessä, koska se voi haurastuttaa terää materiaalia ja johtaa normaalia nopeampaan kulumiseen.

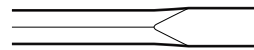
Oikean työkalun valinta

Koneen kunnollisen toiminnan kannalta on ensiarvoisen tärkeää valita oikea työkalu. Turhien konevaurioiden estämiseksi on tärkeää valita korkealaatuiset työkalut.

Kone voi vaurioitua korjauskelvottomaksi, jos siinä käytetään väärentyyppistä työkalua.

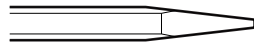
Valmistajan suosittelemat työkalut luetellaan koneen varaosaluettelossa.

Kapea taltta



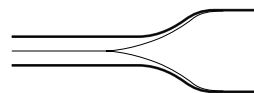
Kapea taltta sopii purku- ja leikkaustöihin, jossa käsitellään betonia ja muita kovia materiaaleja.

Teräväkärkinen taltta



Teräväkärkistä talttaa käytetään vain reikien tekemiseen betoniin ja muihin koviin maa-aineksiin.

Leveäkärkinen taltta

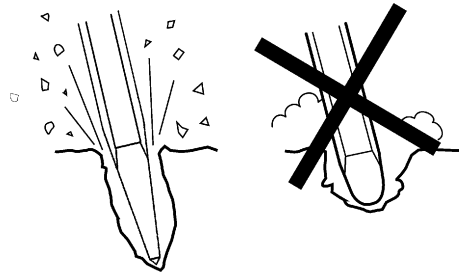


Leveäkärkistä talttaa käytetään pehmeiden materiaalien kuten asfaltin ja jäisen maan työstämiseen.

▲ VAROITUS Tärinävaarat

Työn tekeminen työkaluilla, jotka eivät täytä alla mainittuja kriteerejä, kestää kauemmin ja voi altistaa tärinälle. Lisäksi tylsynyt työkalu pidentää työskentelyaikaa.

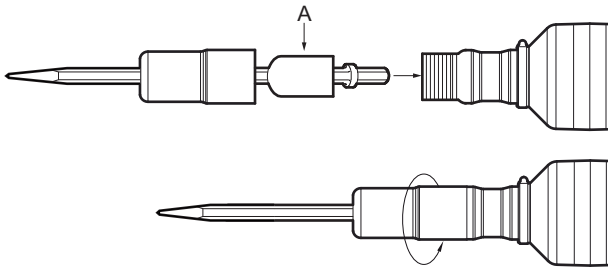
- ▶ Varmista, että koneessa oleva työkalu on aina hyvin huollettu, se ei ole kulunut ja on oikean kokoinen.
- ▶ Pidä työkalut aina terävinä, jolloin ne toimivat tehokkaasti.



Työkalun asentaminen ja irrottaminen

Työkalua asennettaessa ja irrotettaessa on noudatettava seuraavia ohjeita:

- ◆ Tahattoman käynnistymisen estäminen: katkaise paineilmasyöttö ja irrota kone virtalähteestä. Tyhjennä kone painamalla käynnistys- ja pysäytyslaitteen käyttökytkintä.
- ◆ Ennen työkalun asettamista paikalleen voitele työkalun varsi rasvalla.
- ◆ Sulje työkalunpidike ja tarkista lukitustoiminnon pitävyys vetämällä paikalleen työnnettyä työkalua voimakkaasti ulospäin.



1. Aseta suojus kiinnitystyökalun kuusiovarteen.
2. Aseta vaimennin (A) työkalun varren päälle.
3. Aseta kiinnitystyökalu sylinteriin ja kierrä suojus sylinteriin, kunnes se lukkiutuu.

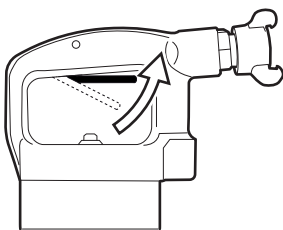
Käyttö

▲ VAROITUS Tahaton käynnistäminen

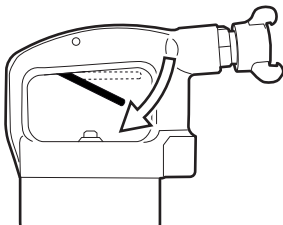
Koneen tahaton käynnistäminen saattaa aiheuttaa henkilövahingon.

- ▶ Koske liipaisimeen vasta käynnistäessäsi konetta.
- ▶ Opettele koneen sammuttaminen hätätilanteessa.
- ▶ Pysäytä kone välittömästi, jos koneen voimanlähteen käyttö estyy.

Käynnistys ja pysäytys



Käynnistä kone pitämällä kahvasta tukevalla otteella ja puristamalla liipaisinta.

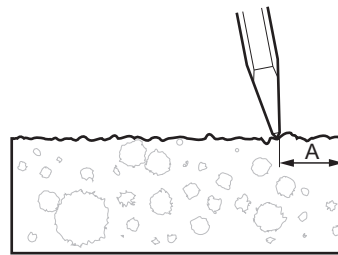


Pysäytä kone vapauttamalla liipaisin. Liipaisin palaa automaattisesti pysäytysasentoon.

Käyttö

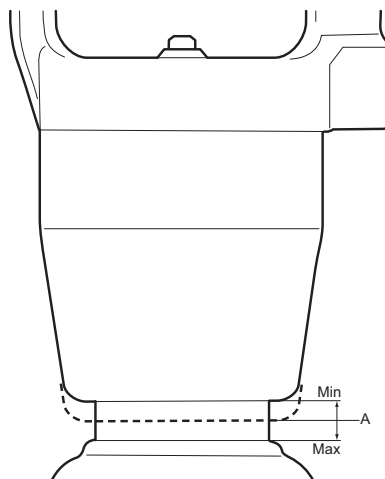
Työn aloittaminen

- ◆ Seiso vakaassa asennossa pitäen jalat etäällä työkalusta.
- ◆ Paina konetta työkohteeseen, ennen kuin aloitat.
- ◆ Aloita poraus niin kaukana kulmasta, että kone pystyy murtamaan materiaalia ilman vipuvoimaa.
- ◆ Älä koskaan yritä murtaa liian isoja paloja. Säädä murtamisetäisyys (A) siten, että työkalu ei juutu kiinni.



Murtaminen

- ◆ Anna koneen tehdä työt, älä paina liikaa. Tärinänvaimennuskahvaa ei saa missään tapauksessa painaa täysin pohjaan saakka.
- ◆ Tärinänvaimennuskahvoilla varustetut paineilmakäyttöiset koneet: Syöttövoima on sovitettava siten, että kahva on puristettuna 'puoliväliin'. Paras mahdollinen tärinänvaimennus ja murtamisteho saadaan tässä asennossa.



- ◆ Vältä erittäin kovan materiaalin kuten graniitin ja betoniteräksen (betoniterästankojen) murtamista, sillä nämä materiaalit voivat aiheuttaa voimakasta tärinää.
- ◆ Tarpeetonta joutokäyntiä, koneen käyttöä ilman kiinnitystyökalua tai koneen käyttöä ylösnostettuna on vältettävä.

- ◆ Kun konetta nostetaan, liipaisinta ei saa painaa.
- ◆ Tarkista säännöllisesti, että kone saa riittävästi voiteluainetta.

Poistuessasi tauolle

- ◆ Taukojen ajaksi kone on asetettava syrjään siten, että sitä ei voida käynnistää tahattomasti. Varmista, että kone on tasaisella alustalla, jotta se ei pääse kaatumaan.
- ◆ Poistuessasi pidemmälle tauolle tai lähtiessäsi työpaikalta: katkaise ensin tehonsyöttö ja tyhjennä sitten kone painamalla liipaisinta.

Huolto

Säännöllinen kunnossapito on koneen turvallisen ja tehokkaan käytön perusedellytys. Noudata huolto-ohjeita tarkkaan.

- ◆ Ennen koneen huoltotöiden aloittamista puhdista se, jotta et altistu vaarallisille aineille. Katso kohta ”Pölystä ja savukaasuista aiheutuvat vaaratilanteet”
- ◆ Käytä ainoastaan hyväksytyjä varaosia. Muiden osien käytön aiheuttamat vahingot tai viat eivät kuulu takuun tai tuotevastuun piiriin.
- ◆ Puhdistaessasi mekaanisia osia liuottimella varmista, että työ tehdään voimassa olevien työsuojelumääräysten mukaisesti, ja huolehdi riittävästä tuuletuksesta.
- ◆ Jos koneelle on tehtävä suuria huoltotöitä, ota yhteyttä lähimpään valtuutettuun huoltokorjaamoon.
- ◆ Tarkista kunkin huollon jälkeen, että koneen tärinätaaso on normaali. Ellei näin ole, ota yhteyttä lähimpään valtuutettuun huoltokorjaamoon.

Päivittäin

Ennen paineilmakoneiden huoltotöiden aloittamista tai työkalun vaihtamista paineilman tulo on katkaistava ja kone on tyhjennettävä paineilmasta painamalla liipaisinta. Irrota sitten paineilmaletku koneesta.

- ◆ Puhdista ja tutki kone ja sen toiminnot päivittäin ennen työn aloittamista.
- ◆ Tarkasta työkalun pidike kuluneisuuden ja vikojen varalta.
- ◆ Tutki kaikki mahdolliset vuoto- ja vauriokohteet.

- ◆ Tarkista, että imuilman kara on tiukassa ja että kynsiliitin on ehjä.
- ◆ Tarkista seuraavat kohteet, jotta koneen tärinäarvojen säilyminen oletusten mukaisina voidaan varmistaa:
Työkalun varren ja taltan holkin välinen liian suuri väljyys lisää tärinöitä. Vältä tärinöiden kehittyminen liian suuriksi tarkistamalla taltan holkin kuluneisuus päivittäin.
- ◆ Jos kone on varustettu tärinänvaimennuskahvalla/-kahvoilla, tarkista, että kahva liikkuu (ylös – alas) esteettä.
- ◆ Uusi vaurioituneet osat viipymättä.
- ◆ Uusi kuluneet koneenosat hyvissä ajoin.
- ◆ Varmista, että kaikki laitteiston osat, kuten letkut, vedenerottimet ja voitelulaitteet huolletaan oikein.

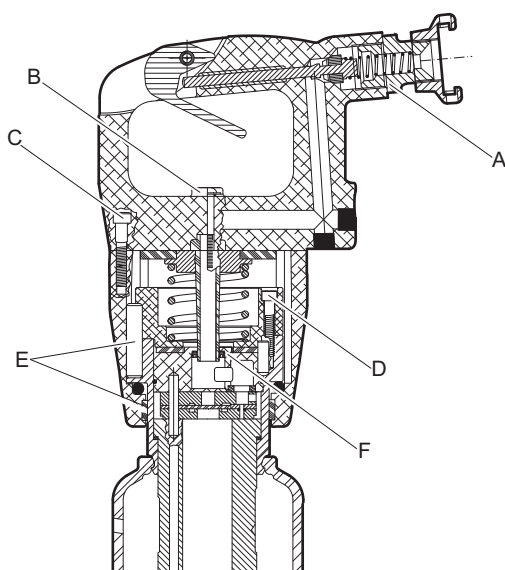
Määräaikaishuollot

Kone on purettava, kaikki osat on puhdistettava ja tarkastettava noin 100 käyttötunnin välein tai kolmesti vuodessa. Työ on annettava asianmukaisen koulutuksen saaneen, valtuutetun henkilöstön tehtäväksi.

Koneen hyvän toimintakuntoisuuden säilyttämiseksi taulukossa mainituissa osissa saa olla kulumia enintään annettujen mittojen rajoissa. Huomaa, että TEX 07PE -koneessa ei ole männän ilmalyynyvaimennusta. Tästä seuraa, että vaimennuskykyä ei voi käyttää männän ja sylinterin kuluneisuusasteen määrittämiseen.

Osa	Sisähalkaisija enintään (mm)	Ulkohalkaisija enintään (mm)
Sylinteri	28,63	-
Mäntä	-	28,50

Kokoamisohjeet



- A. Vääntömomentti: 88–95 Nm, käytä Loctite® 243™ -liimaa (Loctite on Henkel Corporationin rekisteröity tavaramerkki. 243 on Henkel Corporationin tavaramerkki.)
- B. Vääntömomentti: 15–17 Nm, UNF 1/4" x 44 (1-3/4")
- C. Vääntömomentti: 15–17 Nm, UNC 1/4" x 32 (1-1/4")
- D. Vääntömomentti: 17 Nm, käytä Loctite® 243™, M6 x 40 - 12.9
- E. Älä voitele tukirullia, kulumisrengasta tai vastaavia kosketuspintoja.
- F. Irrota O-rengas tiivisteestä ennen kokoonpanovaihetta. O-rengas on vain tuki, jolla varmistetaan, että tiiviste säilyttää oikean muotonsa asennusvaiheeseen saakka.

Vianmääritys

Jos paineilmakäyttöinen kone ei käynnisty tai toimii pienellä teholla tai epätasaisesti, tarkista seuraavat.

- ◆ Tarkista, että käytössä olevan työkalun varren mitoitus on oikea.
- ◆ Tarkista, että paineilmakäyttöinen kone saa oikean määrän voiteluainetta. Liian suuri määrä voiteluainetta voi aiheuttaa käynnistysongelmia, tehon heikkenemistä tai epätasaisen suorituskyvyn.
- ◆ Tarkista, että paineilmajärjestelmästä tulee koneeseen riittävä ilmanpaine, jotta teho pysyy täysimääräisenä.

- ◆ Tarkista, että ilmaletkun mitoitus ja pituus ovat suositusten mukaiset. Katso kohta "Asennus".
- ◆ Jos on olemassa jäätymisvaara, tarkista, että koneen poistoaukoissa ei ole tukoksia.
- ◆ Jos koneen toiminta ei ole tyydyttävä näidenkään tarkistusten jälkeen, ota yhteyttä valtuutettuun huoltokorjaamoon.

Varastointi

- Puhdista kone asianmukaisesti ennen varastointia, jotta vältetään altistuminen vaarallisille aineille. Katso kohta "Pölystä ja savukaasuista aiheutuvat vaaratilanteet"
- Kaada noin 1/2 oz (5 cl) öljyä suoraan imuilman karaan, liitä kone paineilman tuloliitännään ja käytä konetta parin sekunnin ajan.
- Säilytä konetta aina kuivassa paikassa.

Käytöstä poisto

Käytetty kone käsitellään ja romutetaan siten, että mahdollisimman suuri määrä materiaalista voidaan kierrättää paikallisten määräysten mukaan ja ympäristöhaitat pidetään mahdollisimman pieninä.

Tekniset tiedot

Koneen tiedot

Tyyppi	Varren mitat mm	Paino kg	Pituus mm	Iskutaajuus Hz	Ilman kulutus l/s
TEX 07PE	H19 x 50	8,7	525	29,5	17
TEX 07PE, etukahvalla	H19 x 50	9,0	525	29,5	17

Melu- ja värinäarvoilmoitus

Taattu äänenvoimakkuustaso **L_w** EN ISO 3744:n mukaisesti täyttäen 2000/14/EY-direktiivin vaatimukset.

Äänenpainetaso, **L_p** EN ISO 11203:n mukaisesti.

Tärinäarvo **A** ja mittausepävarmuus **B** on määritetty EN ISO 20643. Ks. taulukossa "Melu- ja värinätiedot" ilmoitetut A-, B- jne. arvot.

Ilmoitetut arvot on mitattu laboratoriotyypisissä kokeissa ohessa mainittuja direktiivejä tai standardeja noudattaen, ja arvot ovat riittävät vertailtaessa ominaisuuksia muiden, samojen direktiivien tai standardien mukaan testattujen työkalujen kanssa. Ilmoitetut arvot eivät ole riittävät riskien arvioinneissa, ja yksittäisissä työkohteissa voidaan mitata korkeampia arvoja. Todelliset altistumisarvot ja yksittäisen käyttäjän kokemat haitat ovat tapauskohtaisia, ja ne riippuvat käyttäjän työtapojen, työkappaleen ja työkohteen suunnittelun ohella altistumisen kestoajasta sekä käyttäjän fyysisestä kunnosta ja koneen kunnosta.

Atlas Copco Construction Tools AB ei ole lakisääteisessä vastuussa tilanteissa, joissa käytetään ohessa esitettyjä arvoja todellisten tapauskohtaisten arvojen asemesta tehtäessä riskianalyysejä työpaikkakohteessa, johon emme voi vaikuttaa millään tavoin.

Tämä työkalu voi aiheuttaa käsiin ja käsivarsiin kohdistuvasta värinästä johtuvaa ns. HAVS-syndroomaa (hand-arm vibration syndrome), ellei koneesta pidetä työn aikana kiinni asianmukaisesti. Käsiin ja käsivarsiin kohdistuvaa värinää käsittelevän EU-oppaan voi ladata verkko-osoitteesta <http://www.humanvibration.com/humanvibration/EU/VIBGUIDE.html>

Suosittelimme käyttöön terveystarkastusohjelmaa, jolla voidaan havaita mahdolliset värinäpäästöille altistumisen oireet jo niiden alkuvaiheessa. Siten voidaan ryhtyä asianmukaisiin työnjohdollisiin toimenpiteisiin työperäisten sairauksien estämiseksi.

Lisätietoja värinästä

Näiden tietojen avulla voidaan tehdä karkea arvio työpaikalla esiintyvistä värinäarvoista.

Värinäpäästöt vaihtelevat suuresti työtehtävästä ja käyttäjän työtavoista johtuen. Ilmoitettu värinäarvo koskee pääkahvaa/-kahvoja. Paljon korkeampia värinäarvoja voi ilmetä muissa kädenasannoissa. Uskomme, että työkalun normaali käyttö tuottaa tavallisesti värinäpäästöjä alueella **C^{m/s²}** ja alueella **E^{m/s²}** (värinän kokonaisarvot on määritetty EN ISO 5349-1 -standardin mukaisesti) tehtäväkohtaisista yksityiskohdista riippuen, mutta joissakin tapauksissa voi esiintyä tämän alueen ulkopuolisia päästöjä.

Esitystapa **D^{m/s²}** ja **F^{m/s²}** on todennäköisesti käyttökelpoinen keskiarvoinen päästöarvo arvioitaessa esimerkiksi todennäköisiä keskimääräisiä altistumisia käyttäjille, jotka tekevät työkalulla useita erityyppisiä tehtäviä koneen tarkoitettulla käytötavalla. Haluamme painottaa, että työkalun käyttö normaalista poikkeavassa erikoistyötehtävässä voi tuottaa erilaisen keskiarvoisen päästön, ja tällaisissa tapauksissa suosittelimme erityisen värinäpäästöarvioinnin tekemistä.

Melu- ja värinäätiedot

Tyyppi	Melu		Tärinä					
	Äänenpaine	Ääniteho	Kolmen akselin arvot					
	Ilmoitetut arvot		Ilmoitetut arvot		Lisätietoja värinäistä			
	EN ISO 11203	2000/14/EY	EN ISO 20643		Betoni		Tiili	
	Lp r=1m dB(A) suht. 20µPa	Lw taattu dB(A) suht. 1pW	A m/s ² arvo	B m/s ² hajonta	C m/s ² alue	D m/s ² keskim.	E m/s ² alue	F m/s ² keskim.
TEX 07PE Vain D- kahvalla	87	104	12,4	1,7	9,0-11,9	10,5	7,9-10,0	9,0
TEX 07PE D-kahvalla ja etukahvalla	87	104	10,5	1,5	7,5-11,2	9,6	9,6-12,2	10,6

CE-vaatimustenmukaisuusvakuutus

CE-vaatimustenmukaisuusvakuutus (EY-direktiivi 2006/42/EY)

Me, Atlas Copco Construction Tools AB, vakuutamme täten, että alla luetellut koneet täyttävät EY-direktiivin 2006/42/EY (konedirektiivi) ja 2000/14/EY (meludirektiivi) määräykset sekä alla mainitut yhdenmukaistetut standardit.

Käsi­käyttöiset paineilma piikkausvasarat	Taattu äänitehotaso [dB(A)]	Mitattu äänitehotaso [dB(A)]	Pmax (baaria)
TEX 07PE	104	98	7

Sovelletut yhdenmukaistetut standardit:

- ◆ EN ISO 11148-4

Muut sovelletut standardit:

- ◆ Lloyds Register Quality Assurance, NoBo no.0088

Teknisten asiakirjojen valtuutettu edustaja:

Per Forsberg
Atlas Copco Construction Tools AB
Dragonvägen 2
Kalmar

Varotoimitusjohtaja, suunnittelu ja tuotekehitys:

Erik Sigfridsson

Valmistaja:

Atlas Copco Construction Tools AB
105 23 Stockholm
Sweden

Paikka ja aika:

Kalmar, 2012-06-30

DANSK

Indhold

Indledning.....	193
Om disse sikkerhedsinstruktioner og betjeningsvejledningen.....	193
Sikkerhedsinstruktioner.....	194
Sikkerhed, signalord.....	194
Personlige forholdsregler og kvalifikationer.....	194
Personligt beskyttelsesudstyr.....	194
Narkotika, alkohol eller medicin.....	194
Montering, forholdsregler.....	194
Betjening, forholdsregler.....	195
Vedligeholdelse, forholdsregler.....	198
Opbevaring, forholdsregler.....	199
Oversigt.....	200
Konstruktion og funktion.....	200
Valg af den rigtige tryklufthammer til opgaven.....	200
Hovedkomponenter.....	200
Mærkater.....	200
Typeskilt.....	201
Støjniveau-mærkat.....	201
Sikkerhedsmærkat.....	201
Montering.....	201
Slanger og tilslutninger.....	201
Metoder til forhindring af frysning.....	201
Tilslutning af en vandudskiller.....	202
Smøring.....	202
Indsætningsværktøj.....	202
Valg af det korrekte indsætningsværktøj.....	202
Smal mejsel.....	202
Spidsmejsel.....	202
Bredbladet mejsel.....	202
Indsætning og fjernelse af værktøjet.....	202
Betjening.....	203
Start og stop.....	203
Betjening.....	203
Start af boring.....	203
Brydning.....	203
Når der holdes pause.....	204
Vedligeholdelse.....	204
Hver dag.....	204
Periodisk vedligeholdelse.....	204
Montagevejledning.....	205
Fejlfinding.....	205
Opbevaring.....	205
Bortskaffelse.....	205
Tekniske data.....	206
Maskinens data.....	206
Støj- og vibrationsdeklaration.....	206
Supplerende oplysninger om vibrationer.....	206

Støj- og vibrationsdata	207
EF-overensstemmelseserklæring	208
EF-overensstemmelseserklæring (EF-direktiv 2006/42/EF)	208

Indledning

Tak, fordi De har købt et Atlas Copco-produkt. Siden 1873 har det været vores mål at finde nye og bedre måder at dække vores kunders behov på. Gennem årene har vi udviklet innovative og ergonomiske produkter, der har hjulpet vores kunder med at forbedre og rationalisere den daglige drift.

Atlas Copco har et stærkt globalt salgs- og servicenetværk med kundecentre og distributører i hele verden. Vores eksperter er veluddannede fagfolk med omfattende kendskab til produkterne og erfaring i brugen af dem. Overalt i verden kan vi tilbyde produktsupport og ekspertise, der sikrer, at vores kunder kan arbejde med maksimal effektivitet til enhver tid.

Yderligere information findes på: www.atlascopco.com

Atlas Copco Construction Tools AB

105 23 Stockholm

Sweden

Om disse sikkerhedsinstruktioner og betjeningsvejledningen

Formålet med instruktionerne er at give Dem viden om, hvordan tryklufthammeren anvendes effektivt og sikkert. Instruktionerne indeholder desuden gode råd og giver anvisninger på regelmæssig vedligeholdelse af tryklufthammeren.

Det er nødvendigt, at De læser disse indstruktioner omhyggeligt og forstår alle anvisningerne, før De anvender tryklufthammeren for første gang.

Sikkerhedsinstruktioner

For at reducere risikoen for alvorlig tilskadekomst eller død for Dem selv eller andre skal De læse og forstå sikkerhedsinstruktionerne og betjeningsvejledningen, inden De arbejder med, reparerer, vedligeholder eller udskifter tilbehør på maskinen.

Slå sikkerhedsinstruktionerne og betjeningsvejledningen op på de steder, hvor der arbejdes med maskinen, udlevér kopier til Deres ansatte, og sørg for, at alle læser sikkerhedsinstruktionerne og betjeningsvejledningen, før de arbejder med eller vedligeholder maskinen.

Desuden bør operatøren, eller dennes arbejdsgiver, vurdere de specifikke risici, som kunne forekomme i forbindelse med brug af maskinen.

Sikkerhed, signalord

Signalordene Fare, Advarsel og Forsigtig har følgende betydninger:

FARE	Angiver en farlig situation, som, hvis den ikke forhindres, vil medføre død eller alvorlig tilskadekomst.
ADVARSEL	Angiver en farlig situation, som, hvis den ikke forhindres, kan medføre død eller alvorlig tilskadekomst.
FORSIGTIG	Angiver en farlig situation, som, hvis den ikke forhindres, kan medføre mindre eller moderat tilskadekomst.

Personlige forholdsregler og kvalifikationer

Kun kvalificeret og trænet personale må betjene og vedligeholde maskinen. De skal rent fysisk være i stand til at håndtere godset, vægten og værktøjets kraft. Brug altid sund fornuft og god dømmekraft.

Personligt beskyttelsesudstyr

Anvend altid godkendt beskyttelsesudstyr. Operatører og alle andre personer i arbejdsområdet skal være iført beskyttelsesudstyr, herunder som et minimum:

- Beskyttelseshjelm
- Høreværn
- Slagfaste beskyttelsesbriller med sidebeskyttelse
- Åndedrætsværn når påkrævet
- Beskyttelseshandsker
- Passende sikkerhedsstøvler

- Passende arbejdsdragt eller lignende beklædning (ikke løst siddende tøj), som dækker arme og ben.

Narkotika, alkohol eller medicin

▲ ADVARSEL Narkotika, alkohol eller medicin

Narkotika, alkohol eller medicin kan påvirke Deres dømmekraft og koncentrationsevne. Nedsat reaktionsevne og forkerte vurderinger kan medføre alvorlige ulykker eller dødsfald.

- ▶ Brug aldrig maskinen når De er træt eller under indflydelse af narkotika, alkohol eller medicin.
- ▶ Ingen personer, der er under indflydelse af narkotika, alkohol eller medicin, må betjene maskinen.

Montering, forholdsregler

▲ FARE Piskende luftslange

En trykluftslange der går løs, kan piske frem og tilbage og forårsage personskade eller dødsfald. Sådan reduceres risikoen:

- ▶ Kontrollér, at trykluftslangen og -forbindelserne ikke er beskadigede, udskift dem om nødvendigt.
- ▶ Kontrollér, at alle tryklufttilslutninger er sat ordentligt fast.
- ▶ Bær aldrig en trykluftmaskine i luftslangen.
- ▶ Forsøg aldrig at tage en trykluftslange af, der er under tryk. Sluk først for tryklufften på kompressoren, og udluft derefter maskinen ved at aktivere start/stop-anordningen.
- ▶ Brug ikke lynkoblinger på værktøjsåbningen. Brug slangekoblinger med gevind af hærdet stål (eller materiale med tilsvarende stødsikkerhed).
- ▶ Når der bruges universale spiralkoblinger (klokoblinger), anbefaler vi, at der anbringes låsetapper og piskestop-sikkerhedskabler for beskytte mod et muligt forbindelsessvigt mellem slange og værktøj eller slange og slange.

▲ FARE Luft under tryk

Højtrykluft, der rammer huden, kan gennemtrænge huden og forårsage alvorlig legemsbeskadigelse eller dødsfald.

- ▶ Afbryd altid lufttilførslen, fjern lufttrykket fra slangen, og afbryd forbindelsen mellem maskinen og lufttilførslen, mens den ikke anvendes, før skift af tilbehør eller ved reparation.
- ▶ Ret aldrig en trykluftslange mod Dem selv eller andre. For at undgå risikoen for personskader må trykluft aldrig benyttes til at blæse for eksempel støv, snavs eller lignende af tøj.

▲ ADVARSEL Udskudt indsætningsværktøj

Hvis værktøjsholderen på maskinen ikke står i låst position, kan værktøjet blive skudt ud med stor kraft og forårsage personskader.

- ▶ Start aldrig maskinen, mens indsætningsværktøjet skiftes.
- ▶ Før værktøjet udskiftes, skal maskinen standses og kraftforsyningen slås fra, hvorefter maskinen skal udluftes ved at aktivere start-/stop-anordningen.
- ▶ Ret aldrig indsætningsværktøjet mod dig selv eller andre.
- ▶ Sørg for at værktøjet er ført helt ind og at værktøjsholderen står i låst position, før maskinen startes.
- ▶ Kontrollér låsefunktionen ved at trække det indsatte værktøj kraftigt udad.

▲ ADVARSEL Løstsiddende indsætningsværktøj

Hvis indsætningsværktøjets skaft ikke har den rigtige dimension, kan det resultere i, at indsætningsværktøjet tabes eller glider ud under arbejdet med fare for alvorlig tilskadekomst eller knuste hænder og fingre.

- ▶ Kontrollér, at værktøjsskaftet har den rette størrelse og længde i forhold til den bøsning der anvendes.
- ▶ Brug aldrig et indsætningsværktøj uden krave.

▲ ADVARSEL Uventede bevægelser

Det indsatte værktøj udsættes for kraftige påvirkninger, når maskinen bruges. Det indsatte værktøj kan knække på grund af metaltræthed efter nogen tids brug. Hvis det indsatte værktøj knækker eller sætter sig fast, kan der opstå uventede bevægelser, som kan forårsage uheld. Man kan endvidere komme til skade, hvis man mister balancen eller snubler.

- ▶ Sørg for altid at stå sikkert med en skulderbredde mellem fødderne og kropsvægten ligeligt fordelt.
- ▶ Inspicér altid udstyret før brug. Anvend aldrig udstyret, hvis De har mistanke om, at det er beskadiget.
- ▶ Sørg for at håndtagene er rene og fri for fedt og olie.
- ▶ Hold fødderne i sikker afstand fra det indsatte værktøj.
- ▶ Stå fast, og hold altid fast i maskinen med begge hænder.
- ▶ Start aldrig maskinen, mens den ligger på jorden.
- ▶ Undlad at 'ride' på maskinen med det ene ben over håndtaget.
- ▶ Slå eller misbrug aldrig udstyret.
- ▶ Kontrollér regelmæssigt indsætningsværktøjet for slid, og kontrollér, om der er tegn på beskadigelse eller synlige revner.
- ▶ Vær opmærksom og se på det, De laver.

Betjening, forholdsregler

▲ FARE Eksplosionsfare

Hvis et indsætningsværktøj kommer i kontakt med sprængstoffer eller eksplosive gasser, kan der ske en eksplosion. Når der arbejdes på visse materialer og når der bruges visse materialer, kan der opstå gnister og antændelse. Eksplosioner kan føre til alvorlige skader eller dødsfald.

- ▶ Arbejd aldrig med maskinen i et eksplosionsfarligt miljø.
- ▶ Brug aldrig maskinen i nærheden af brændbare materialer, dampe eller støv.
- ▶ Kontrollér, at der ikke er skjulte kilder af gas eller sprængstoffer.

▲ ADVARSEL Støv- og damprisiko

Støv og/eller damp, som opstår eller spredes ved brug af denne maskine kan forårsage alvorlig og permanent sygdom, lidelse eller anden legemlig skade (for eksempel silikose eller anden irreversibel lungesygdom, som kan være livsfarlig, kræft, fødselsdefekter og/eller hudinflammationer).

Nogle slags støv og damp, som opstår ved boring, brydning, hamring, savning, slibning og andre byggeaktiviteter, indeholder substanser, som staten Californien og andre myndigheder har erklæret ansvarlige for åndedrætssygdomme, kræft, fødselsdefekter eller anden forplantningsskade.

Nogle eksempler på sådanne substanser er:

- Krystallinsk kvarts, cement og andre murværksmaterialer.
- Arsenik og krom fra kemisk behandlet gummi.
- Bly fra blybaseret maling.

Stol ikke på, hvad du ser, når du vil afgøre, om der er støv eller damp i luften, for støv og damp i luften kan være usynlig for det blotte øje.

Gør følgende for at reducere risikoen for at blive udsat for støv og damp:

- ▶ Foretag en arbejdspladsspecifik risikovurdering. Risikovurderingen skal omfatte støv og damp, som opstår ved brug af maskinen, og eventuelt allerede eksisterende generende støv.
- ▶ Anvend passende teknikker til at minimere mængden af støv og damp i luften og en ophobning af det på udstyr, overflader, tøj og legemsdele. Eksempler på teknikker: udblæsningsventilation og støvopsamlingsystemer, vandforstøvere og vådboring. Kontroller støv og damp, der hvor det opstår, hvis det er muligt. Sørg for, at de forskellige anordninger er monteret korrekt, vedligeholdes og bruges rigtigt.
- ▶ Bær, vedligehold og brug åndedrætsværn rigtigt som anvist af Deres arbejdsgiver og som det kræves af arbejdssundheds- og sikkerhedsforskrifterne. Åndedrætsværnet skal være effektivt for den type substanser, det drejer sig om (og om muligt godkendt af en kompetent offentlig myndighed).
- ▶ Arbejd i et godt ventileret område.
- ▶ Hvis maskinen har en udblæsning, skal den ledes således, at genen ved støv reduceres i den støvfylde omgivelse.
- ▶ Brug og vedligehold maskinen som anbefalet i sikkerhedsinstruktionerne og betjeningsvejledningen
- ▶ Vælg, vedligehold og udskift forbrugsvarer/ indsætningsværktøjer/ andet tilbehør som anbefalet i sikkerhedsinstruktionerne og betjeningsvejledningen. Forkert valg eller mangel på vedligeholdelse af forbrugsvarer/ indsætningsværktøjer/ andet tilbehør kan forårsage unødvendig forøgelse af støv eller damp.
- ▶ Bær vaskbart eller engangsbeskyttelsestøj på arbejdsstedet, og tag bad og skift til rent tøj, før arbejdspladsen forlades for derved at begrænse påvirkning fra støv og damp på Dem selv, andre mennesker, biler, hjem og andre områder.
- ▶ Undgå at spise, drikke og ryge på områder, hvor der er støv og damp.
- ▶ Vask Deres hænder og ansigt omhyggeligt så hurtigt som muligt, efter at de har forladt det eksponerede område, og altid inden De spiser, drikker, ryger eller har kontakt med andre mennesker.
- ▶ Overhold alle relevante love og bestemmelser, herunder arbejdssundheds- og sikkerhedsforskrifter.
- ▶ Deltag i de luftovervågningsprogrammer, helbredsundersøgelser og sundheds- og sikkerhedstræningsprogrammer, som Deres arbejdsgiver eller erhvervsorganisationer tilbyder i henhold til arbejdssundheds- og sikkerhedsforskrifter og anbefalinger. Rådfør Dem med en læge, som har erfaring med relevant arbejdsmedicin.
- ▶ Samarbejd med Deres arbejdsgiver og erhvervsorganisation for at reducere udsættelsen for støv og damp på arbejdspladsen og for at reducere risiciene. Effektive sundheds- og sikkerhedsprogrammer, foranstaltninger og fremgangsmåder til beskyttelse af arbejdstagere og andre mod farlig udsættelse for støv og damp skal etableres og implementeres baseret på rådgivning fra sundheds- og sikkerhedseksperter. Rådfør Dem med eksperter.
- ▶ Rester af farlige substanser på maskinen kan udgøre en risiko. Maskinen skal rengøres omhyggeligt, før der udføres vedligeholdelsesarbejde på den.

▲ ADVARSEL Projektiler

Fejl på arbejdsemnet, på tilbehør eller på selve maskinen kan frembringe projektiler med høj hastighed. Når der arbejdes, kan splinter eller andre partikler fra det bearbejdede materiale blive til projektiler og forårsage personskade, hvis de rammer operatøren eller andre personer. Sådan reduceres risikoen:

- ▶ Brug godkendt personligt beskyttelsesudstyr og sikkerhedshjelm, herunder stødresistent øjenværn med sidebeskyttelse.
- ▶ Sørg for, at uautoriserede personer ikke får adgang til arbejdsområdet.
- ▶ Hold arbejdsstedet rent og frit for fremmedlegemer.
- ▶ Sørg for, at arbejdsemnerne er sikkert fastgjort.

▲ ADVARSEL Splintrisiko

Hvis man bruger indsætningsværktøjet som et håndholdt hammerværktøj, kan det føre til at splinter rammer operatøren, så denne kommer til skade.

- ▶ Brug aldrig et indsætningsværktøj som håndholdt hammerværktøj. De er specielt designet og varmebehandlet til kun at bruges i en maskine.

▲ ADVARSEL Risiko for at glide, snuble og falde

Der er risiko for at glide, snuble eller falde, for eksempel ved at snuble over slanger eller andre genstande. Man kan komme til skade ved at glide, snuble eller falde. Sådan reduceres risikoen:

- ▶ Sørg for, at der ikke findes slanger eller andre genstande på Deres eller andre personers vej.
- ▶ Sørg for, at De altid står sikkert med en skulderbredde mellem fødderne og kropsvægten ligeligt fordelt.

▲ ADVARSEL Risiko ved manglende bevægelse

Når De bruger maskinen til at udføre arbejdsrelaterede opgaver, oplever De måske ubehag i hænder, arme, skuldre, nakke eller andre dele af kroppen.

- ▶ Indtag en komfortabel kroppsstilling, bibehold et sikkert fodfæste og undgå akavede uafbalancerede kroppsstillinger.
- ▶ Det hjælper med til at undgå ubehag og træthed, hvis man skifter stilling under lange arbejdsopgaver.
- ▶ I tilfælde af vedvarende eller tilbagevendende symptomer, skal en kvalificeret specialist konsulteres.

▲ ADVARSEL Vibrationsrisiko

Normal og korrekt brug af maskinen udsætter operatøren for vibrationer. Udsættes man regelmæssigt og hyppigt for vibrationer, kan det forårsage eller bidrage til at forværre skader eller sygdomme i operatørens fingre, hænder, håndled, arme, skuldre og/eller nerver og blodtilførsel eller andre dele af kroppen, herunder svækkende og/eller permanente skader eller sygdomme, som kan udvikle sig gradvist over perioder på uger, måneder eller år. Sådanne skader eller sygdomme kan også være kredsløbsskader, skader på nervesystemet, ledskader og muligvis skader på andre af kroppens dele.

Hvis der på noget tidspunkt optræder følelsesløshed, vedvarende tilbagevendende ubehag, brændende fornemmelse, stivhed, dunken, snurren, smerter, klodsethed, svækket gribeevne, hvidfarvning af huden eller andre symptomer, uanset om det sker under arbejde med maskinen eller ikke, må der ikke længere arbejdes med maskinen, arbejdsgiveren skal informeres og der skal søges lægehjælp. Fortsat brug af maskinen efter, at der har været den slags symptomer, kan øge risikoen for, at symptomerne bliver mere alvorlige og/eller permanente.

Brug og vedligehold maskinen som anbefalet i denne vejledning, så der undgås unødigt forøgelse af vibrationer.

Følgende kan være med til at reducere vibrationspåvirkningen for operatøren:

- ▶ Lad værktøjet gøre arbejdet. Hold så let på maskinen, som behørig kontrol og sikker betjening tillader.
- ▶ Hvis maskinen har vibrationsabsorberende håndtag, skal de holdes i en midterposition og bør ikke presses til endestop.
- ▶ Når slagfunktionen er aktiveret, bør Deres eneste kontakt med maskinen være Deres hænder på håndtaget eller håndtagene. Undgå enhver anden kontakt, for eksempel at støtte nogen del af kroppen mod maskinen eller at læne Dem mod maskinen i et forsøg på at forstærke slagkraften. Det er også vigtigt, at start/stopanordningen ikke er indkoblet, når værktøjet trækkes væk fra den flade, der brydes.
- ▶ Sørg for, at det indsatte værktøj er godt vedligeholdt (herunder dets skæreevne, hvis det er et skærende værktøj), ikke er slidt, og at det har den rigtige størrelse. Hvis der anvendes indsætningsværktøjer, som ikke er ordentligt vedligeholdt, eller som er slidte eller ikke har den rigtige størrelse, tager det længere tid at udføre arbejdet (og længere vibrationspåvirkning), som kan medføre eller bidrage til, at operatøren udsættes for højere vibrationsniveauer.

- ▶ Indstil straks arbejdet, hvis maskinen pludseligt begynder at vibrere kraftigt. Før arbejdet genoptages, skal årsagen til de forstærkede vibrationer findes og fjernes.
- ▶ Undlad altid at tage fat i, holde om eller røre ved det indsatte værktøj, når maskinen er i brug.
- ▶ Tag imod sundhedskontrol eller -overvågning, helbredsundersøgelser og træningsprogrammer, når det tilbydes af Deres arbejdsgiver, og når det er påbudt ved lov.
- ▶ Tag varmt tøj på og hold Deres hænder varme og tørre, når De arbejder i kulde.
- ▶ Udblæsningsluften er stærkt afkølet, og må ikke komme i kontakt med operatøren. Ret altid udblæsningsluften væk fra hænder og krop.

Se „Støj- og vibrationsdeklarationen“ for maskinen, herunder også de deklarerede vibrationsværdier. Disse informationer findes sidst i sikkerhedsinstruktionerne og betjeningsvejledningen.

- ◆ Overhold det anbefalede lufttryk ved arbejde med maskinen. Hvis der arbejdes med et højere eller lavere lufttryk, kan det resultere i højere vibrationsniveauer.

▲ FARE Elektrisk fare

Maskinen er ikke elektrisk isoleret. Hvis maskinen kommer i kontakt med elektricitet, kan det resultere i alvorlige skader eller død.

- ▶ Brug aldrig maskinen i nærheden af en elektrisk ledning eller anden elektrisk kilde.
- ▶ Kontrollér, at der ikke er skjulte ledninger eller andre elektricitetskilder i arbejdsområdet.

▲ ADVARSEL Fare ved skjulte genstande

Når der arbejdes, udgør skjulte ledninger og rør en fare, som kan resultere i alvorlige skader.

- ▶ Kontrollér materialernes sammensætning før arbejdsstart.
- ▶ Pas på skjulte kabler og rør, f.eks. til elektricitet, telefon, vand, gas og spildevand etc.
- ▶ Hvis det ser ud til, at værktøjet har ramt en skjult genstand, skal der straks slukkes for maskinen.
- ▶ Før der fortsættes, skal det sikres, at der ikke er fare på færde.

▲ ADVARSEL Utilsigtet start

Utilsigtet start af maskinen kan forårsage skader.

- ▶ Hold hænderne væk fra start/stop-anordningen, indtil De er klar til at starte maskinen.
- ▶ Lær hvordan maskinen slås fra, hvis der opstår en nødsituation.
- ▶ Slip straks start-/stop-anordningen, i alle tilfælde hvor kraftforsyningen afbrydes.
- ▶ Når der monteres eller fjernes indsætningsværktøjer, skal lufttilførslen slukkes, maskinen udluftes ved at trykke på start-/stopanordningen og maskinen tages fra kraftforsyningen.

▲ ADVARSEL Støjrisiko

Høje støjniveauer kan forårsage permanent og invaliderende høretab og andre problemer, som f.eks. tinnitus (ringende, summende, fløjtende eller brummende lyde i ørerne). For at reducere risiciene og forebygge unødvendig forøgelse af støjniveauer gælder følgende:

- ▶ En risikovurdering af disse risici og implementering af passende kontrolforanstaltninger er vigtigt.
- ▶ Betjen og vedligehold maskinen som anbefalet i denne vejledning.
- ▶ Vælg, vedligehold og udskift indsætningsværktøjet som anbefalet i denne vejledning.
- ▶ Hvis maskinen har en lyd-dæmper, kontrolleres det, at den sidder rigtigt og er i god driftstilstand.
- ▶ Brug altid høreværn.
- ▶ Brug dæmpningsmateriale for at forhindre, at arbejdssemnerne „ringer“.

Vedligeholdelse, forholdsregler

▲ ADVARSEL Maskinmodifikation

Enhver modifikation af maskinen kan medføre personskade for Dem selv og andre.

- ▶ Modificér aldrig maskinen. Modificerede maskiner dækkes ikke af garanti eller produktansvar.
- ▶ Anvend altid originale dele, indsætningsværktøjer og tilbehør, der er godkendt af Atlas Copco.
- ▶ Udskift omgående beskadigede dele.
- ▶ Udskift slidte komponenter i god tid.

▲ FORSIGTIG Varmt indsætningsværktøj

Indsætningsværktøjets spids kan blive varm og skarp, når den bruges. Berøring kan medføre forbrændinger og snitsår.

- ▶ Rør aldrig ved et varmt eller skarpt indsætningsværktøj.
- ▶ Vent indtil indsætningsværktøjet er kølet af, inden der udføres vedligeholdelsesarbejde.

▲ ADVARSEL Risiko ved indsætningsværktøj

Uforsættelig betjening af start-/stopanordningen under vedligeholdelse eller montering kan forårsage alvorlige uheld, hvis kraftforsyningen er tilsluttet.

- ▶ Efterse, rens, monter eller fjern aldrig indsætningsværktøj, når kraftforsyningen er tilsluttet.

Opbevaring, forholdsregler

- ◆ Opbevar maskinen et sikkert sted, hvor den er uden for børns rækkevidde og låst inde.

Oversigt

For at reducere risikoen for alvorlig tilskadekomst eller død for Dem selv eller andre skal De læse og forstå sikkerhedsinstruktionerne og betjeningsvejledningen, inden De arbejder med, reparerer, vedligeholder eller udskifter tilbehør på maskinen.

Konstruktion og funktion

Disse instruktioner gælder for TEX 07PE.

TEX 07PE-maskinen har vibrationsdæmpende D-håndtag og er beregnet til let nedbrydnings- og industriarbejde. Der kan arbejdes både vandret og lodret med maskinen. Ingen anden anvendelse er tilladt.

Det korrekte indsætningsværktøj vælges ved hjælp af reservedelslisten.

Valg af den rigtige tryklufthammer til opgaven

Det er vigtigt at vælge den rigtige størrelse tryklufthammer til det arbejde, der skal udføres.

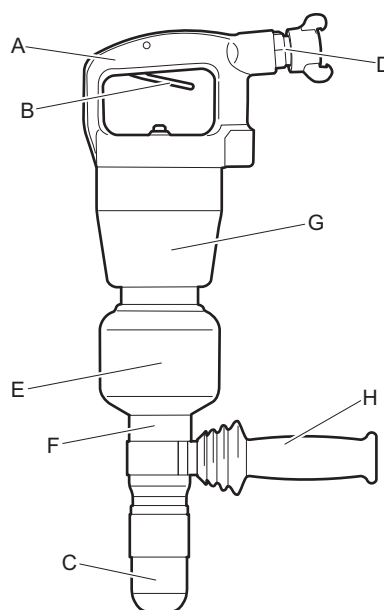
Hvis der anvendes en for lille tryklufthammer, vil arbejdet tage længere tid.

Hvis der anvendes en for stor hammer, skal den flyttes hyppigt, hvilket er unødigt trættende for operatøren.

En enkel regel for valg af den rigtige størrelse tryklufthammer siger, at et stykke afbrækket materiale af normal størrelse skal kunne fjernes fra det, der arbejdes på, i løbet af 5 - 10 sekunder.

- Hvis det tager mindre end 5 sekunder, bør der vælges en mindre tryklufthammer.
- Hvis det tager mere end 10 sekunder, bør der vælges en større tryklufthammer.

Hovedkomponenter

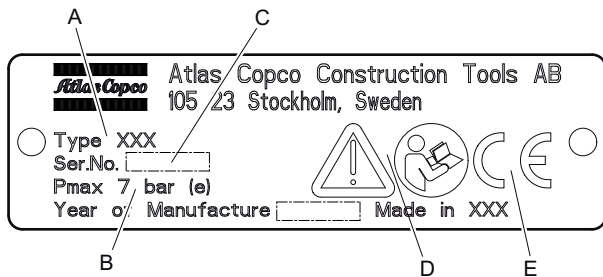


- A. Håndtag
- B. Aftrækker
- C. Værktøjsholder
- D. Luftindgang
- E. Lyddæmper
- F. Cylinder
- G. Kabinet
- H. Fronthåndtag (ekstraudstyr)

Mærkater

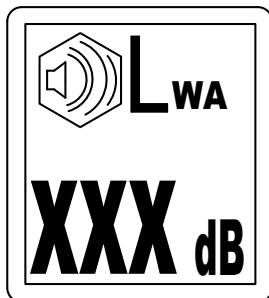
Maskinen er forsynet med mærkater, som indeholder vigtige informationer om personlig sikkerhed og maskinens vedligeholdelse. Mærkaterne skal være i en sådan tilstand, at de nemt kan læses. Nye mærkater kan bestilles fra reservedelslisten.

Typeskilt



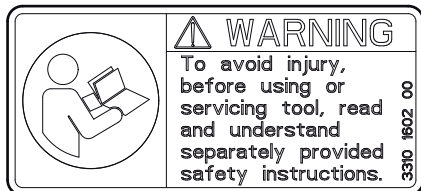
- A. Maskintype
- B. Maksimale tilladte tryk for tryklufforsyning
- C. Serienummer
- D. Advarselssymbolet sammen med bogsymbolet betyder, at brugeren skal læse sikkerhedsinstruktionerne og betjeningsvejledningen, før maskinen anvendes første gang.
- E. CE-symbolet betyder, at maskinen er EU-godkendt. Se EU-deklarationen, som følger med maskinen, for yderligere information. Hvis CE-symbolet mangler, betyder det, at maskinen ikke er EU-godkendt.

Støjniveau-mærkat



Mærkatet angiver det garanterede støjniveau i henhold til EU-direktiv 2000/14/EF. Se „Tekniske data“ vedrørende det nøjagtige støjniveau.

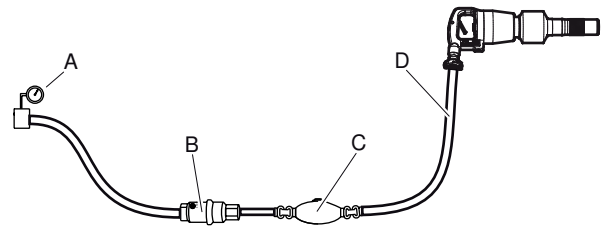
Sikkerhedsmærkat



For at undgå tilskadekomst skal de separat udleverede sikkerhedsinstruktioner læses og forstås, inden værktøjet bruges eller vedligeholdes.

Montering

Slanger og tilslutninger



- A. Trykluffkilde
 - B. Vandudskiller (ekstraudstyr)
 - C. Smøreanordning (ekstraudstyr)
 - D. Maks. 3 m (10 ft) trykluffslange mellem smøreanordningen og maskinen.
- ♦ Kontrollér, at De anvender det anbefalede arbejdsdruk, 6 bar (e) (87 psi).
 - ♦ Det maksimale tilladte lufttryk, 7 bar (e) (102 psi), må ikke overskrides.
 - ♦ Blæs eventuelle urenheder ud af trykluffslangen, før den sættes til maskinen.
 - ♦ Vælg en trykluffslange i korrekt dimension og længde. Slanger på op til 30 m (100 ft) bør have en indvendig minimumsdiameter på 19 mm (3/4 in.). Slanger på mellem 30 og 100 m (100 og 330 ft) bør have en indvendig minimumsdiameter på 25 mm (1 in.).

Metoder til forhindring af frysning

Isdannelse i lyd-dæmperen kan forekomme, når den omgivende lufts temperatur er 0–10°C (32–50 °F), og den relative luftfugtighed er høj.

Maskinen er konstrueret til at undgå isdannelse i lyd-dæmperen. Alligevel kan der under ekstreme forhold dannes is i lyd-dæmperen.

Gør yderligere følgende for at modvirke risikoen for isdannelse:

- ♦ Brug Atlas Copco Breaker and hammer AIR-OIL som smøremiddel. Breaker and hammer AIR-OIL modvirker tilfrysning.
- ♦ Brug en vandudskiller.

Tilslutning af en vandudskiller

Der skal anvendes en tilstrækkeligt lang slange mellem kompressoren og vandudskilleren for at sikre, at vanddampen afkøles og kondenseres i slangen, før den når frem til vandudskilleren.

Hvis den omgivende temperatur er under 0°C (32°F), skal slangen være kort nok til at forhindre, at vandet fryser i slangen, før det når frem til vandseparatoren.

Smøring

Smøremidlet er vigtigt for maskinens funktion og betyder meget for maskinens levetid. Hvis der ikke findes en integreret smøreanordning, tilsluttes en separat smøreanordning til luftslangen. God smøring sikres ved, at længden på luftslangen mellem den separate smøreanordning og trykluftmaskinen ikke overstiger 3 meter.

Brug et syntetisk smøremiddel som for eksempel Atlas Copco Breaker and hammer AIR-OIL eller mineralisk olie med de egenskaber, der anbefales i nedenstående tabel.

Smøremiddel	Temperatur område (°C)	Viskositet
Breaker and hammer AIR-OIL	-30 til +50	-
Mineralisk olie/syntetisk olie	+15 til +50	ISO VG 46-68
Mineralisk olie/syntetisk olie	-20 til +15	ISO VG 22-32

Indsætningsværktøj

▲ FORSIGTIG Varmt indsætningsværktøj

Indsætningsværktøjets spids kan blive varm og skarp, når den bruges. Berøring kan medføre forbrændinger og snitsår.

- ▶ Rør aldrig ved et varmt eller skarpt indsætningsværktøj.
- ▶ Vent indtil indsætningsværktøjet er kølet af, inden der udføres vedligeholdelsesarbejde.

BEMÆRK Afkøl aldrig et varmt indsætningsværktøj i vand, det kan føre til skørhed og tidligt svigt.

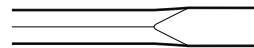
Valg af det korrekte indsætningsværktøj

Valg af rigtigt indsætningsværktøj er en forudsætning for korrekt maskinfunktion. Det er vigtigt, at vælge indsætningsværktøjer af høj kvalitet for at undgå unødvendig maskinskade.

Maskinen kan blive ødelagt, hvis De anvender forkerte indsætningsværktøjer.

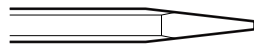
Anbefalede indsætningsværktøjer står på reservedelslisten til maskinen.

Smal mejsel



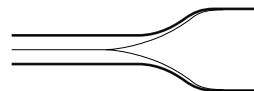
Den smalle mejsel bruges til nedbrydnings- og skærearbejde i beton og andre typer hårdt materiale.

Spidsmejsel



Spidsmejslen bør kun anvendes til at lave huller i beton og andre typer hårdt materiale.

Bredbladet mejsel

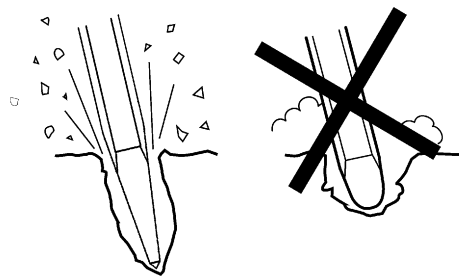


Den brede mejsel anvendes til bløde materialer, som f.eks. asfalt og frossen jord.

▲ ADVARSEL Vibrationsrisiko

Brug af indsætningsværktøjer, som ikke opfylder nedennævnte kriterier, vil medføre længere arbejdstid til opgaven, og kan medføre udsættelse for højere vibrationsniveauer. Et slidt værktøj medfører også længere arbejdstid.

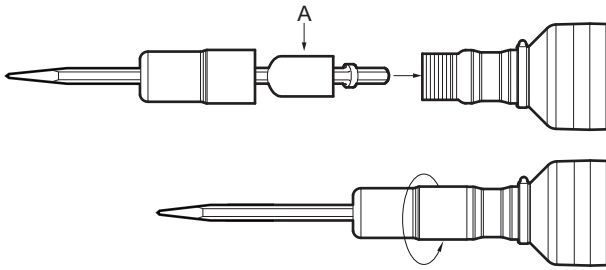
- ▶ Sørg for, at det indsatte værktøj er godt vedligeholdt, ikke er udslidt og har den rigtige størrelse.
- ▶ Brug altid et skarpt værktøj, så De kan arbejde effektivt.



Indsætning og fjernelse af værktøjet

Når indsætningsværktøjet monteres eller fjernes, skal følgende instruktioner altid følges:

- ◆ Forebyggelse af utilsigtet start: Slå trykluffen fra og afbryd maskinen ved kraftkilden. Udluft maskinen ved at trykke på start-/stopanordningen.
- ◆ Inden indsætning af et værktøj skal værktøjsskaffet smøres med fedt.
- ◆ Luk værktøjsholderen og kontroller låsefunktionen ved at rykke det indsatte værktøj kraftigt udad.



1. Anbring afdækningen over indsætningsværktøjets sekskantede krop.
2. Anbring bufferen (A) over indsætningsværktøjets skaft.
3. Indfør indsætningsværktøjet i cylinderen og skru afdækningen på cylinderen, til den låses fast.

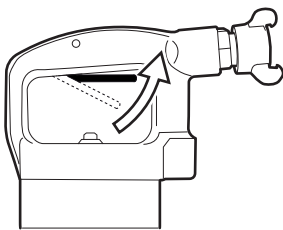
Betjening

▲ ADVARSEL Utilsigtet start

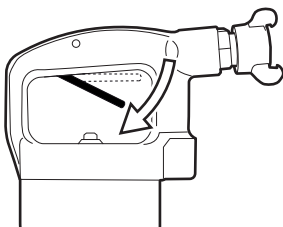
Utilsigtet start af maskinen kan forårsage skader.

- ▶ Hold hænderne væk fra start/stop-anordningen, indtil De er klar til at starte maskinen.
- ▶ Lær hvordan maskinen slås fra, hvis der opstår en nødsituation.
- ▶ Stands maskinen omgående i tilfælde af afbrydelse af kraftforsyningen.

Start og stop



Start maskinen ved at trykke på aftrækkeren, mens De holder godt fast i håndtaget.

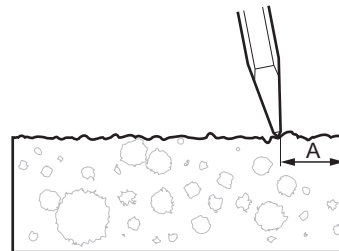


Stop maskinen ved at slippe aftrækkeren. Aftrækkeren går automatisk tilbage til stopstillingen.

Betjening

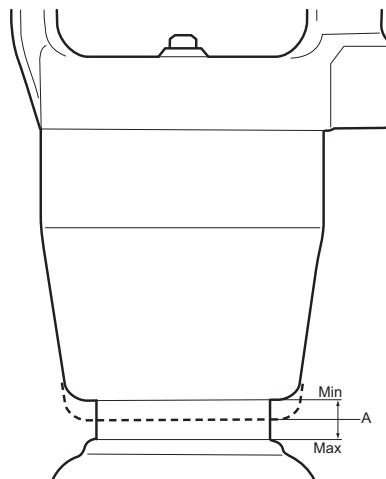
Start af boring

- ◆ Stå i en stabil stilling, med fødderne i sikker afstand fra det indsatte værktøj.
- ◆ Pres værktøjet mod arbejdsfladen, inden maskinen startes.
- ◆ Start boringen i en sådan afstand fra kanten, at maskinen er i stand til at bryde materialet uden vægtstangsvirkning.
- ◆ Prøv aldrig på at bryde for store stykker af. Tilpas brydeafstanden (A), så indsætningsværktøjet ikke sætter sig fast.



Brydning

- ◆ Lad maskinen gøre arbejdet, og undgå at presse for hårdt. Det vibrationsdæmpende håndtag må under ingen omstændigheder presses helt i bund.
- ◆ For trykluftmaskiner med vibrationsabsorberende håndtag: Slagkraften skal justeres således, at håndtaget trykkes „halvvejs“ ned. Den bedste vibrationsdæmpnings- og brydningseffekt opnås i denne stilling.



- ◆ Undgå at arbejde i ekstremt hårde materialer, for eksempel granit og direkte på jernarmeringer, hvad der ville give kraftige vibrationer.

- ◆ Enhver form for tomgang, brug uden indsætningsværktøj eller arbejde med en løftet maskine skal undgås.
- ◆ Når maskinen er løftet, må start-/stopanordningen ikke aktiveres.
- ◆ Kontroller regelmæssigt, at maskinen er velsmurt.

Når der holdes pause

- ◆ Når De holder pause, skal maskinen altid opbevares på en måde, så der ikke er risiko for, at den startes utilsigtet. Sørg for at anbringe maskinen på jorden, så den ikke kan falde ned.
- ◆ Ved længere pauser, eller når arbejdspladsen forlades: Sluk først for kraftforsyningen og udluft derefter maskinen ved at aktivere start/stop-anordningen.

Vedligeholdelse

Regelmæssig vedligeholdelse er et grundlæggende krav til fortsat sikker og effektiv brug af maskinen. Følg vedligeholdelsesinstruktionerne omhyggeligt.

- ◆ Rens maskinen, inden vedligeholdelsesarbejderne udføres, så De ikke udsættes for farlige substanser. Se „Støv- og damprisiko“
- ◆ Brug kun godkendte dele. Skader eller fejl, som opstår på grund af ikke-godkendte reservedele, dækkes ikke af garanti eller produktansvar.
- ◆ Ved rensning af mekaniske dele med et opløsningsmiddel, skal gældende sundheds- og sikkerhedsbestemmelser overholdes, og der skal være tilstrækkelig ventilation.
- ◆ Ved behov for et større eftersyn af maskinen, kontaktes nærmeste autoriserede værksted.
- ◆ Kontrollér efter hvert eftersyn, at maskinens vibrationsniveau er normalt. Hvis det ikke er tilfældet, kontaktes nærmeste autoriserede værksted

Hver dag

Før der udføres vedligeholdelsesarbejde eller skiftes indsætningsværktøj på trykluftmaskiner, skal der altid slukkes for lufttilførslen, og maskinen skal udluftes ved at trykke på start/stop-anordningen. Derefter tages luftslangen af maskinen.

- ◆ Rens maskinen og efterse den og dens funktioner hver dag, inden arbejdet begynder.
- ◆ Efterse værktøjsholderen for slid, og kontrollér dens funktion.
- ◆ Foretag et generelt eftersyn for lækager og skader.
- ◆ Kontroller, at luftindgangsniplen er spændt fast, og at klokoblingen er fri for skader.
- ◆ For at maskinen kan bevare de specificerede vibrationsværdier, bør følgende altid kontrolleres:
For stort et spillerum mellem indsætningsværktøjets skaft og mejselbøsningen vil give øgede vibrationer. For at undgå at operatøren udsættes for vibrationer i overdreven grad, skal mejselbøsningen kontrolleres for slid hver dag.
- ◆ Hvis maskinen har vibrationsabsorberende håndtag, skal det kontrolleres af de(t) kan bevæges frit (op og ned) og ikke sidder fast.
- ◆ Udskift omgående beskadigede dele.
- ◆ Udskift slidte komponenter i god tid.
- ◆ Sørg for, at alt påsat og tilhørende udstyr, såsom slanger, vandudskillere og smøreanordninger vedligeholdes ordentligt.

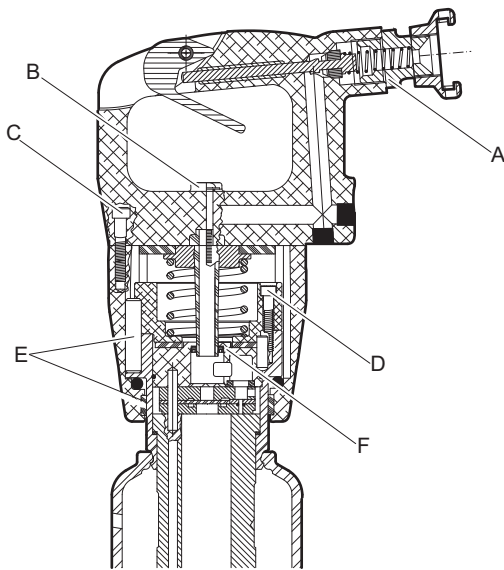
Periodisk vedligeholdelse

Efter hver brugsperiode på ca. 100 driftstimer eller tre gange om året skal maskinen adskilles og alle dele renses og efterses. Dette arbejde skal udføres af autoriseret personale, som er uddannet til denne opgave.

Som udgangspunkt må delene i tabellen ikke være slidt længere ned end til de angivne dimensioner, hvis den høje ydeevne skal bevares. Bemærk, at TEX 07PE ikke er udstyret med luftpude til dæmpning af stemplet. Det betyder, at dæmpeevnen ikke kan anvendes til at bestemme graden af slid på stempel og cylinder.

Del	Maks. indvendig diameter (mm)	Min. udvendig diameter (mm)
Cylinder	28,63	-
Stempel	-	28,50

Montagevejledning



- A. Moment: 88–95 Nm, brug Loctite® 243™ (Loctite er et registreret varemærke fra Henkel Corporation. 243 er et varemærke fra Henkel Corporation.)
- B. Moment: 15–17 Nm, UNF 1/4" x 44 (1-3/4")
- C. Moment: 15–17 Nm, UNC 1/4" x 32 (1-1/4")
- D. Moment: 17 Nm, brug Loctite® 243™, M6 x 40 - 12.9
- E. Undlad at smøre støtteruller, slidring eller lignende kontaktflader.
- F. Fjern O-ringen fra pakningen før montering. O-ringen fungerer kun som støtte for at sikre, at pakningen bevarer den rette form, indtil den monteres.

Fejlfinding

Hvis trykluftmaskinen ikke vil starte, mangler kraft eller kører ujævnt, kontrolleres følgende punkter.

- ◆ Kontrollér, at det indsætningsværktøj, der bruges, har den korrekte skaftdimension.
- ◆ Kontroller, at trykluftmaskinen tilføres den rette mængde smøremiddel. For meget smøring kan give start- problemer, mangel på kraft eller ujævn drift.
- ◆ Kontrollér, at trykluftsystemet forsyner maskinen med tilstrækkeligt trykluft til fuld kraft.
- ◆ Kontroller luftslangens dimension og længde i henhold til de givne anbefalinger. Se „Montering“.

- ◆ Hvis der er risiko for at det fryser, skal det kontrolleres, at maskinens udblæsningsåbninger ikke er blokeret.
- ◆ Hvis maskinen stadig ikke fungerer tilfredsstillende efter udførelse af disse kontroller, kontaktes et autoriseret værksted.

Opbevaring

- Rens maskinen grundigt før den opbevares, så farlige substanser undgås. Se „Støv- og damprisiko“
- Hæld ca. 1/2 oz (5 cl) olie direkte i luftindtagsniplen, tilslut maskinen til tryklufforsyningen, og lad den køre nogle få sekunder.
- Maskinen skal altid opbevares på et tørt sted.

Bortskaffelse

En brugt maskine skal behandles og bortskaffes således, at materialet kan genbruges i størst muligt omfang, så enhver negativ påvirkning af miljøet bliver så lav som muligt og i henhold til de lokale forskrifter.

Tekniske data

Maskinens data

Type	Skaftdimension mm	Vægt kg	Længde mm	Slagfrekvens Hz	Luftforbrug l/s
TEX 07PE	H19 x 50	8,7	525	29,5	17
TEX 07PE, med fronthåndtag	H19 x 50	9,0	525	29,5	17

Støj- og vibrationsdeklaration

Garanteret lydeffektniveau **L_w** i henhold til EN ISO 3744 i overensstemmelse med Direktiv 2000/14/EF.

Lydtryksniveau **L_p** i henhold til EN ISO 11203.

Vibrationsværdier **A** og usikkerhed **B** fastlagt i henhold til EN ISO 20643. Se tabel „Støj- og vibrationsdata“ vedrørende værdierne for A, B, etc.

Disse deklarerede værdier er fundet ved typeprøvning i laboratorium i overensstemmelse med det angivne direktiv eller de angivne normer og er egnet til sammenligning med de deklarerede værdier for andet værktøj, som er testet i overensstemmelse med det samme direktiv eller de samme normer. Disse deklarerede værdier er ikke egnede til at anvendes i risikovurderinger, og værdier målt på de enkelte arbejdssteder kan være højere. De faktiske eksponeringsværdier og risici for overlast, der opleves af den enkelte bruger er unikke og afhænger af, hvordan brugeren arbejder, hvilket materiale maskinen anvendes på, samt på eksponeringstiden og brugerens fysiske tilstand og maskinens tilstand.

Vi, Atlas Copco Construction Tools AB, kan ikke holdes ansvarlige for følgerne af at anvende de deklarerede værdier i stedet for værdier, der afspejler den faktiske eksponering i en individuel risikovurdering i en arbejdssituation, som vi ikke har nogen indflydelse på.

Dette værktøj kan give hånd-arm vibrationssyndrom, hvis det ikke anvendes hensigtsmæssigt. En EU-vejledning til håndtering af hånd-armvibration kan findes på <http://www.humanvibration.com/humanvibration/EU/VIBGUIDE.html>

Vi anbefaler et sundhedsovervågningsprogram med det formål at detektere tidlige symptomer, som kan stå i forbindelse med vibrationseksponering, således at procedurerne kan modificeres med henblik på at forebygge fremtidig skade.

Supplerende oplysninger om vibrationer

Disse informationer er beregnet som hjælp ved en grov vurdering af vibrationsværdien på arbejdspladsen.

Hvor stærke vibrationer der afgives, afhænger stærkt af opgaven og operatørens teknik. Den deklarerede vibrationsværdi relaterer til hovedhåndtag(ene) og der kan forekomme langt højere vibrationsniveauer i andre håndstillinger. Vi tror, at normal tilsigtet brug af værktøjet almindeligvis vil frembringe vibrationer inden for området **C_m%²** og **E_m%²** (totale vibrationsværdier som defineret i EN ISO 5349-1) afhængigt af opgavens specielle detaljer, men vibrationer uden for dette område kan forekomme ved nogle anvendelser.

Et tal på **D_m%²** og **F_m%²** er formentlig en brugbar gennemsnitlig afgivelsesværdi, når man for eksempel groft vurderer en sandsynlig gennemsnitlig udsættelse for brugere, som udfører en lang række opgaver inden for den tilsigtede brug af værktøjet. Vi gør opmærksom på, at den gennemsnitsvibration, der afgives ved anvendelse af værktøjet til en enkelt specialopgave kan være anderledes, og i sådanne tilfælde anbefaler vi stærkt, at der foretages en specifik evaluering af vibrationsafgivelsen.

Støj- og vibrationsdata

Type	Støj		Vibration					
	Lydtryk	Lydeffekt	Værdier i forhold til tre akser					
	Deklarerede værdier		Deklarerede værdier		Supplerende oplysninger om vibrationer			
	EN ISO 11203	2000/14/EF	EN ISO 20643		Beton		Mursten	
	Lp r=1m dB(A) rel 20µPa	Lw garanteret dB(A) rel 1pW	A m/s ² værdi	B m/s ² spredning	C m/s ² område	D m/s ² gen.snit	E m/s ² område	F m/s ² gen.snit
TEX 07PE kun med D- håndtag	87	104	12,4	1,7	9,0-11,9	10,5	7,9-10,0	9,0
TEX 07PE med D- håndtag og fronthåndtag	87	104	10,5	1,5	7,5-11,2	9,6	9,6-12,2	10,6

EF-overensstemmelseserklæring

EF-overensstemmelseserklæring (EF-direktiv 2006/42/EF)

Vi, Atlas Copco Construction Tools AB, erklærer hermed, at nedennævnte maskiner er i overensstemmelse med bestemmelserne i EF-direktiv 2006/42/EF (Maskindirektiv) og 2000/14/EF (Støjdirektiv), og nedennævnte harmoniserede standarder.

Håndholdte trykluftnittehamre	Garanteret lydeffektniveau [dB(A)]	Målt lydeffektniveau [dB(A)]	Pmax (bar)
TEX 07PE	104	98	7

Følgende harmoniserede standarder er anvendt:

- ◆ EN ISO 11148-4

Følgende andre standarder er anvendt:

- ◆ Lloyds Register Quality Assurance, NoBo no.0088

Autoriseret repræsentant for teknisk dokumentation:

Per Forsberg
Atlas Copco Construction Tools AB
Dragonvägen 2
Kalmar

Vice President Design and Development:

Erik Sigfridsson

Producent:

Atlas Copco Construction Tools AB
105 23 Stockholm
Sweden

Sted og dato:

Kalmar, 2012-06-30

NORSK

Innhold

Innledning.....	213
Om Sikkerhetsinstrukser og bruksanvisning.....	213
Sikkerhetsinstrukser.....	214
Signalord.....	214
Personlige forholdsregler og kvalifikasjoner.....	214
Personlig verneutstyr.....	214
Narkotika, alkohol eller legemidler.....	214
Installasjon, forholdsregler.....	214
Drift, forholdsregler.....	215
Vedlikehold, forholdsregler.....	218
Lagring, forholdsregler.....	219
Oversikt.....	220
Konstruksjon og funksjon.....	220
Velg den riktige trykkluftshammeren for en oppgave.....	220
Hoveddeler.....	220
Merker.....	220
Typeskilt.....	221
Støynivåmerke.....	221
Sikkerhetsskilt.....	221
Installasjon.....	221
Slanger og kopplingsstykker.....	221
Metoder for å forhindre frysing.....	221
Koble til en vannutskiller.....	222
Smøremiddel.....	222
Innsetningsverktøy.....	222
Valg av riktig innsetningsverktøy.....	222
Smal meisel.....	222
Spissmeisel.....	222
Bredbladet meisel.....	222
Montering og fjerning av innsetningsverktøyet.....	222
Bruk.....	223
Start og stopp.....	223
Bruk.....	223
Starte et kutt.....	223
Meisling.....	223
Når man tar en pause.....	224
Vedlikehold.....	224
Hver dag.....	224
Periodisk vedlikehold.....	224
Monteringsinstruksjoner.....	225
Feilsøking.....	225
Lagring.....	225
Avhending.....	225
Tekniske data.....	226
Maskindata.....	226
Støy- og vibrasjonsdeklarasjoner.....	226
Ytterligere vibrasjonsinformasjon.....	226

Støy og vibrasjonsdata.....	227
EU Samsvarserklæring.....	228
EU Samsvarserklæring (EU-direktiv 2006/42/EF).....	228

Innledning

Takk for at du valgte et produkt fra Atlas Copco. Helt siden 1873 har vi vært opptatt av å finne nye og bedre måter å møte våre kunders behov på. I årenes løp har vi utviklet nyskapende og ergonomiske produktutforminger som har hjulpet kundene til å forbedre og rasjonalisere det daglige arbeidet.

Atlas Copco har et sterkt globalt salgs- og servicenettverk bestående av kundesentra og forhandlere. Våre eksperter er høyt utdannede fagfolk med inngående produktkunnskaper og erfaring. I alle verdenshjørner kan vi tilby kundestøtte og ekspertise for å sikre at våre kunder kan jobbe med maksimal effektivitet til enhver tid.

For mer informasjon, gå inn på: www.atlascopco.com

Atlas Copco Construction Tools AB
105 23 Stockholm
Sweden

Om Sikkerhetsinstrukser og bruksanvisning

Formålet med instruksene er å gi deg kunnskap om hvordan du bruker den pneumatiske pakkhammeren på en effektiv, sikker måte. Instruksene gir deg også råd og viser deg hvordan du utfører vedlikehold på den pneumatiske pakkhammeren.

Før du begynner å bruke pakkhammeren første gang, må du lese disse instruksene nøye og sette deg godt inn i innholdet.

Sikkerhetsinstrukser

For å redusere faren for alvorlige skader eller død for deg selv eller andre, må du lese og forstå disse sikkerhetsinstrukser og bruksanvisninger før du installerer, bruker, reparerer eller vedlikeholder maskinen, eller skifter deler på den.

Heng opp disse sikkerhetsinstrukser og bruksanvisninger på arbeidsplassen, gi de ansatte kopier av dem og forsikre deg om at alle leser dem før de betjener eller utfører service på maskinen.

I tillegg må operatøren eller operatørens arbeidsgiver vurdere spesifikke risikoer som kan være til stedet ved bruk av maskinen.

Signalord

Signalordene Fare, Advarsel og Forsiktig har følgende betydning:

FARE	Viser til en farlig situasjon som vil føre til alvorlig skade eller død dersom den ikke unngås.
ADVARSEL	Viser til en farlig situasjon som kan føre til alvorlig skade eller død dersom den ikke unngås.
FORSIKTIG	Viser til en farlig situasjon som kan føre til mindre eller moderate skader dersom den ikke unngås.

Personlige forholdsregler og kvalifikasjoner

Vedlikehold eller bruk av maskinen må kun gjøres av kvalifiserte og opplærte personer. De må være i fysisk stand til å håndtere størrelsen, vekten og kraften til verktøyet. Bruk alltid sunn fornuft og god vurderingsevne.

Personlig verneutstyr

Bruk alltid godkjent verneutstyr. Operatører og alle andre personer i arbeidsområdet skal bruke verneutstyr, bestående av minimum:

- Beskyttelseshjelm
- Hørselsvern
- Slagbestandige vernebriller med sidebeskyttelse
- Åndedrettsvern når det er nødvendig
- Vernehansker
- Skikkelig vernestøvler
- Egnet arbeidsoverall eller tilsvarende bekledning (ikke løstsittende) som dekker armene og bena.

Narkotika, alkohol eller legemidler

▲ ADVARSEL Narkotika, alkohol eller legemidler

Narkotika, alkohol og legemidler svekker dømmekraften og konsentrasjonsevnen. Dårlig reaksjonsevne eller feilaktige vurderinger kan føre til alvorlige ulykker, også med døden til følge.

- ▶ Bruk aldri maskinen når du er trøtt eller påvirket av narkotika, alkohol eller legemidler.
- ▶ Ingen personer som påvirket av narkotika, alkohol eller legemidler skal bruke maskinen.

Installasjon, forholdsregler

▲ FARE Piskende luftslange

En trykkluftslange som løsner kan slå omkring seg med stor kraft, og forårsake personskade eller død. For å redusere denne risikoen:

- ▶ Sjekk at trykkluftslangene og koblingene ikke er skadet, og skift dem ut om nødvendig.
- ▶ Sjekk at alle trykklufttilkoblingene er skikkelig festet.
- ▶ Bær aldri en pneumatisk maskin ved å holde i luftslangen.
- ▶ Forsøk aldri å kople fra en trykkluftslange som står under trykk. Slå av lufttrykket på luftkompressoren og tøm maskinen for luft ved å sette i gang start og stopp knappen.
- ▶ Ikke bruk hurtigkoplere der innsetningsverktøyet koples til. Bruk gjengede slangearmaturer av herdet stål (eller materialer med tilsvarende støtsikkerhet).
- ▶ Når universale dreibare slangekoplinger (klokoplinger) brukes, anbefaler vi at låsestifter installeres og at sikkerhetswire brukes for å beskytte mot mulige feilkoplinger mellom slange og verktøy eller mellom slange og slange.

▲ FARE Luft under trykk

Luft under høyt trykk som treffer huden kan trenge igjennom og forårsake alvorlig personskade eller død.

- ▶ Slå alltid av luftforsyningen, tøm slangen for trykkluft og koble maskinen fra luftforsyningen når den ikke er i bruk, før det byttes tilbehør eller utføres reparasjoner.
- ▶ Rett aldri en trykkluftslange mot deg selv eller andre. Bruk aldri trykkluft til å blåse f.eks. støv, skitt osv. av klærne, da det kan medføre fare for personskade.

▲ ADVARSEL Utløst innsetningsverktøy

Hvis verktøyholderen på maskinen ikke er satt i en låst posisjon kan det innsatte verktøyet utløses med en kraft, som kan forårsake personskade.

- ▶ Start aldri maskinen mens innsetningsverktøyet byttes.
- ▶ Før du skifter innsetningsverktøyet eller tilbehør, stopp maskinen, slå av strømtilførselen og tøm maskinen for luft ved å sette i gang start og stopp knappen.
- ▶ Pek aldri med et innsatt verktøy mot deg selv eller andre.
- ▶ Kontroller at verktøyet er fullstendig satt inn og at verktøyholderen er i låst posisjon før maskinen startes.
- ▶ Kontroller låsefunksjonen ved å nappe kraftig i det innsatte verktøyet.

▲ ADVARSEL Flytte / miste innsetningsverktøyet

Ukorrekt dimensjon på spindelen på innsetningsverktøyet kan føre til at innsetningsverktøyet mistes eller glir ut under bruk. Fare for alvorlig skade eller knuste hender og fingre.

- ▶ Kontroller at innsetningsverktøyet har den spindellengden og de dimensjonene maskinen er beregnet for.
- ▶ Bruk aldri et innsetningsverktøy uten mansjett.

▲ ADVARSEL Uforutsette bevegelser

Innsetningsverktøyet er utsatt for store belastninger når maskinen brukes. Innsetningsverktøyet kan brette på grunn av materialtretthet etter en viss brukstid. Dersom innsetningsverktøyet brekker eller setter seg fast, kan det oppstå plutselige uforutsette bevegelser som kan forårsake skader. Dessuten, hvis du mister balansen eller glir, kan dette forårsake skader.

- ▶ Sørg for at du alltid inntar en stødig stilling, med føttene like langt fra hverandre som skulderbredden, og hold kroppstygden i balanse.
- ▶ Inspiser alltid utstyret før du bruker det. Bruk aldri utstyr du mistenker for å være skadet.
- ▶ Sørg for at håndtakene er fri for fett og olje.
- ▶ Hold føttene på avstand fra innsetningsverktøyet.
- ▶ Stå støtt og hold alltid i maskinen med begge hender.
- ▶ Start aldri maskinen mens den ligger på bakken.
- ▶ Aldri „ri” på maskinen med ett ben over håndtaket.
- ▶ Utstyret skal ikke utsettes for slag eller spark.
- ▶ Kontroller innsetningsverktøyet jevnlig for slitasje, og kontroller om det har tegn på skade eller synlige sprekker.
- ▶ Vær oppmerksom og se på hva du gjør.

Drift, forholdsregler

▲ FARE Eksplosjonsfare

Dersom et innsetningsverktøy kommer i kontakt med eksplosive gasser, kan en eksplosjon forekomme. Når du jobber med visse materialer og når visse materialer brukes i maskindeler, kan det oppstå gnister og antenner. Eksplosjoner kan føre til alvorlige skader, også med døden til følge.

- ▶ Bruk aldri maskinen i eksplosive omgivelser.
- ▶ Bruk aldri maskinen i nærheten av brannfarlige materialer, gasser eller støv.
- ▶ Forsikre deg om at det ikke er noen uoppdagete gasskilder eller eksplosiver.

▲ ADVARSEL Støv- og røykfarer

Støv og/eller røyk som oppstår når maskinen brukes kan forårsake alvorlige og permanente pustevansker, sykdommer eller annen skader på kroppen (for eksempel silikose eller andre uhelbredelige lungesykdommer som kan være dødelige, kreft, fosterskader og/eller irritert hud).

Enkelte støv- og røyktyper som oppstår ved boring, knusing, pigging, saging, sliping og andre anleggsaktiviteter inneholder stoffer som av staten California og av andre autoriteter anses for å forårsake pustevansker, kreft, fosterskader og andre reproduksjonsskader). Noen eksempler på slike kjemikalier er:

- Krystallinsk kiselsyre, sement og andre murprodukter.
- Arsenikk og krom fra kjemisk behandlet gummi.
- Bly fra blybasert maling.

Støv og røyk i luften kan være usynlig for det blotte øyet, så du kan ikke stole på hva du ser for å avgjøre om det er støv eller røyk i luften.

For å redusere risikoen for å bli utsatt for røyk og støv må du gjøre følgende:

- ▶ Utfør en spesifikk risikoanalyse for arbeidsplassen. Risikoanalysen må inkludere støv og røyk som oppstår ved bruk av maskinen og potensialet for å virvle opp eksisterende støv.
- ▶ Foreta egnede tekniske tiltak for å redusere mengden av støv og røyk i luften og ansamling av støv på utstyr, overflater, klær og kroppsdeler. Eksempler på slike tiltak kan være: avgassventilasjon og støvsamlingssystemer, overrislingsventiler og våtboring. Kontroller støv og røykutvikling ved kilden der hvor det er mulig. Sørg for at tiltakene og utstyret installeres, vedlikeholdes og brukes på riktig måte.
- ▶ Bruk vernemaske og vedlikehold den på riktig måte, etter instruks fra arbeidsgiveren eller som påkrevd i helse-, miljø- og sikkerhetsforskrifter. Vernemasken må være effektiv mot den type stoffer du utsettes for (og må eventuelt være godkjent av relevant myndighet).
- ▶ Arbeid i godt ventilerte områder.
- ▶ Hvis maskinen har et utblåsningsrør må det rettes på en måte som reduserer oppvirvling av støv i støvete miljøer.
- ▶ Betjen og vedlikehold maskinen som anbefalt i disse sikkerhetsinstrukser og bruksanvisninger.
- ▶ Velg, vedlikehold og skift innsetningsverktøyet eller andre utskiftbare deler som anbefalt i disse instruksene. Hvis forbruksvarer, innsetningsverktøy eller andre utskiftbare deler ikke velges eller vedlikeholdes riktig, kan det forårsake unødvendig økning av støv og røyk.

- ▶ Bruk vaskbare eller deponerbare verneklær på arbeidsområdet. Dusj eller bytt til rene klær før du forlater arbeidsområdet for å redusere eksponering av støv og røyk for deg selv, andre personer, biler, hjem eller andre områder.
- ▶ Unngå å spise, drikke eller bruke tobakksprodukter i områder hvor det er støv eller røyk.
- ▶ Vask hender og ansikt grundig så snart du forlater eksponeringsområdet, og alltid før du spiser, drikker eller bruker tobakksprodukter, eller berører andre personer.
- ▶ Overhold alle gjeldende lover og regler, også innen helse, miljø og sikkerhet.
- ▶ Delta i åndedrettskontroller, medisinske undersøkelsesprogram og opplæringsprogrammer som arbeidsgiveren eller fagforeningen din tilbyr deg og som er i henhold til forskrifter og anbefalinger innen helse, miljø og sikkerhet. Kontakt lege som har erfaring med relevant yrkesmedisin.
- ▶ Samarbeid med arbeidsgiveren og fagforeningen din for å redusere eksponeringen for røyk og støv på arbeidsplassen og for å redusere risikoene. Effektive helse- og sikkerhetsprogrammer, holdninger og prosedyrer for å beskytte arbeidere og andre personer mot skadelig eksponering for støv og røyk må fastsettes og innføres basert på råd fra eksperter innen helse, miljø og sikkerhet. Snakk med eksperter om dette.
- ▶ Rester av farlige stoffer på maskinen kan utgjøre en helserisiko. Maskinen må rengjøres grundig før det utføres vedlikehold på den.

▲ ADVARSEL Prosjektiler

Feil på arbeidsmaterialet, tilbehør eller på selve maskinen kan skape prosjektiler med svært høye hastigheter. Under driften kan splinter eller andre partikler fra arbeidsmaterialet opptre som prosjektiler og forårsake personskade ved å treffe operatøren eller andre personer. For å redusere disse risikoene:

- ▶ Bruk godkjent personlig verneutstyr og vernehjelm, inkludert støtmotstandige vernebriller med sidebeskyttelse.
- ▶ Sørg for at ingen uautoriserte personer kommer inn i arbeidsområdet.
- ▶ Hold arbeidsplassen fri for fremmede objekter.
- ▶ Forsikre deg om at arbeidsmaterialet er forsvarlig festet.

▲ ADVARSEL Fare for splinter

Hvis du bruker innsettingsverktøyet som et håndholdt verktøy, kan du bli truffet av splinter og bli alvorlig skadet.

- ▶ Bruk derfor aldri innsettingsverktøyet som et håndholdt verktøy. Det er spesialkonstruert og varmebehandlet for å kun brukes i maskiner.

▲ ADVARSEL Farer ved å skli, snuble og falle

Det finnes en risiko for å skli, snuble og falle, for eksempel for å snuble i slangen eller i andre gjenstander. Hvis du sklir, snubler eller faller, kan det forårsake skader. For å redusere risikoene:

- ▶ Forsikre deg alltid om at det ikke er noen slanger eller andre gjenstander i veien for deg eller andre personer.
- ▶ Sørg for at du alltid inntar en stødig stilling, med føttene like langt fra hverandre som skulderbredden, og hold kroppstyngden i balanse.

▲ ADVARSEL Farer vedrørende bevegelse

Når du bruker maskinen til å utføre arbeid, kan du oppleve ubehag i hendene, armene, skuldrene, nakken eller i andre kroppsdeler.

- ▶ Innta en komfortabel stilling samtidig som du står stødig og unngår å miste balansen.
- ▶ Hvis du bruker maskinen lenge, kan det hjelpe å bytte stilling for å unngå ubehag og tretthet.
- ▶ Hvis symptomene vedvarer eller stadig kommer tilbake, bør du ta kontakt med kvalifisert helsepersonell.

▲ ADVARSEL Vibrasjonsfare

Vanlig og korrekt bruk av maskinen utsetter operatøren for vibrasjon. Regelmessig og hyppig eksponering for vibrasjon kan forårsake, bidra til eller forverre skader eller forstyrre operatørens fingre, hender, håndledd, armer, skuldre og/eller nerver og blodforsyning eller andre kroppsdeler, inkludert svekkelse og/eller permanente skader eller forstyrrelser som kan utvikles gradvis over uker, måneder eller år. Slike skader eller forstyrrelser kan omfatte skader på blodsirkulasjonssystemet, skader på nervesystemet, skader på ledd og mulig skader på andre organer.

Dersom nummenhet, vedvarende ubehag, brennende følelse, stivhet, banking, prikking, smerte, klossethet, svekket grep, blekhet eller andre symptomer skulle opptre på noe tidspunkt mens maskinen betjenes eller mens den ikke betjenes, må man ikke fortsette å betjene maskinen, men fortelle arbeidsgiveren om det og søke medisinsk hjelp. Hvis du fortsetter å bruke maskinen etter at du oppdager slike symptomer, kan det øke risikoen for at symptomene øker eller blir permanente.

Betjen og vedlikehold maskinen som anbefalt i disse instruksene for å unngå unødvendig økning av vibrasjon.

Følgende tiltak kan redusere eksponeringen for vibrasjon på operatøren:

- ▶ La verktøyet gjøre arbeidet. Bruk det minimale håndgrepet som er nødvendig for å holde kontroll over maskinen og sørge for trygg drift.
- ▶ Hvis maskinen har vibrasjonsdempende håndtak må du holde dem i en midtstilling, og unngå å skyve dem til endestoppene.
- ▶ Når slagmekanismen aktiveres skal din eneste kroppskontakt med maskinen være med hendene, som du holder på håndtaket eller håndtakene. Unngå annen kontakt, f.eks. å støtte andre deler av kroppen mot maskinen eller lene deg mot maskinen for å øke trykkraften. Det er også viktig at start- og stoppmekanismene ikke er aktivert når verktøyet trekkes opp fra den brutte arbeidsoverflaten.
- ▶ Sørg for at det innsatte verktøyet er godt vedlikeholdt (og skarpt, dersom det er et kutteverktøy), ikke slitt og i riktig dimensjon. Innsettingsverktøy som ikke er godt vedlikeholdt eller som er slitt, eller som ikke har riktig dimensjon, vil føre til at det tar lengre tid å utføre et arbeid (som gir lengre eksponering for vibrasjon), og kan føre til eller bidra til høyere nivåer av vibrasjonseksponering.
- ▶ Stopp arbeidet øyeblikkelig dersom maskinen plutselig begynner å vibrere kraftig. Lokaliser og utbedre årsaken til den økte vibrasjonen før arbeidet gjenopptas.

- ▶ Grip aldri tak i, hold eller berør det innsatte verktøyet mens maskinen er i bruk.
- ▶ Delta i helseundersøkelser eller helseovervåking, medisinske undersøkelser og treningsprogrammer som tilbys av arbeidsgiveren og når de er lovpålagt.
- ▶ Bruk varme klær og hold hendene varme og tørre når du arbeider i kaldt vær.
- ▶ Avgassluften er sterkt nedkjølt og skal ikke komme i kontakt med operatøren. Rett avgassluften bort fra hender og kropp.

Se maskinens „Støy- og vibrasjonsdeklarasjoner”, inkludert de oppgitte vibrasjonsverdiene. Denne informasjonen er å finne på slutten av denne håndboken „Sikkerhetsinstrukser og bruksanvisning”.

- ◆ Følg anbefalt lufttryknivå når du bruker maskinen. For høyt eller lavt lufttrykk kan føre til økt vibrasjon.

▲ FARE Strømfare

Denne maskinen er ikke strøminsolert. Hvis maskinen kommer i kontakt med elektrisitet, kan det resultere i alvorlig skade eller død.

- ▶ Maskinen må aldri brukes i nærheten av strømledninger eller andre strømkilder.
- ▶ Sørg for at det ikke skjuler seg strømledninger eller andre strømkilder i arbeidsområdet.

▲ ADVARSEL Fare ved skjulte objekter

Skulte kabler og rør utgjør en fare som kan føre til alvorlige skader under arbeidet.

- ▶ Kontroller materialets sammensetning før bruk.
- ▶ Se opp for skjulte kabler og rør som elektrisitet, telefon, vann, gass og kloakkrør, o.l.
- ▶ Dersom det innsatteverktøyet later til å ha truffet et skjult objekt, slå av maskinen umiddelbart.
- ▶ Sørg for at det ikke foreligger noen fare før du fortsetter arbeidet.

▲ ADVARSEL Utilsiktet start

Utilsiktet start av maskinen kan forårsake skade.

- ▶ Hold hendene unna start- og stoppknappene til du er klar til å begynne arbeidet.
- ▶ Lær om hvordan maskinen slås av i tilfelle det skulle oppstå en nødssituasjon.
- ▶ Frigjør startknappen og stopp enheten umiddelbart hvis det oppstår forstyrrelser på lufttilførselen.
- ▶ Før du setter inn eller tar ut innsetningsverktøyet, må du slå av lufttilførselen og tappe ut luften fra maskinen ved å trykke ned start- og stoppavtrekkeren og kople fra strømtilførselen.

▲ ADVARSEL Støfare

Høye støynivåer kan føre til permanent hørselsskade og tap av hørsel, samt andre problemer som tinnitus (øresus). For å redusere risikoen og forhindre unødvendig økning av støynivå, må du:

- ▶ Foreta en risikovurdering av alle disse farene og implementere passende kontroller.
- ▶ Betjene og vedlikeholde maskinen som anbefalt i disse instruksjonene.
- ▶ Velg, vedlikehold og skift innsetningsverktøyet som anbefalt i disse instruksjonene.
- ▶ Kontroller at lyddemperen er på plass og i god tilstand, hvis maskinen har en lyddemper.
- ▶ Bruk alltid hørselsvern.
- ▶ Bruk dempende materialer for å forhindre at arbeidsmaterialet lager „ringelyder”.

Vedlikehold, forholdsregler

▲ ADVARSEL Maskinmodifisering

Alle maskinmodifikasjoner kan resultere i kroppslige skader for deg selv eller andre.

- ▶ Foreta aldri modifiseringer av maskinen. Modifiserte maskiner dekkes ikke av garantien eller produktansvaret.
- ▶ Bruk alltid originale deler, innsetningsverktøy og tilbehør godkjent av Atlas Copco.
- ▶ Bytt ut skadede deler umiddelbart.
- ▶ Skift ut slitte komponenter i god tid.

▲ FORSIKTIG Varmt innsetningsverktøy

Tuppen på innsetningsverktøyet kan bli varmt og skarpt når det brukes. Berøring kan føre til brannskader eller kuttskader.

- ▶ Et varmt eller skarpt innsetningsverktøy må ikke berøres.
- ▶ Vent til innsetningsverktøyet er avkjølt før du utfører vedlikeholdsarbeid.

▲ ADVARSEL Farer vedrørende innsetningsverktøyet

Hvis man trykker på start- og stoppavtrekkeren ved et uhell under vedlikehold eller installering, kan det forårsake alvorlige skader hvis maskinen er koplet til strøm.

- ▶ Du må derfor aldri undersøke, rengjøre, sette inn eller ta ut innsetningsverktøyet når maskinen er koplet til strøm.

Lagring, forholdsregler

- ◆ Oppbevar maskinen og verktøyene på et sikkert og låsbart sted, utilgjengelig for barn.

Oversikt

For å redusere faren for alvorlig skade eller død for deg selv og andre, les avsnittet Sikkerhetsinstruksjoner på de foregående sidene av denne håndboken før du tar maskinen i bruk.

Konstruksjon og funksjon

Disse instruksjonene gjelder TEX 07PE.

TEX 07PE er en maskin med et vibrasjonsdempende D-håndtak, laget for lett demolering og anleggsarbeid. Maskinen kan brukes både horisontalt og vertikalt. Annen bruk er ikke tillatt.

Se delelisten for å velge riktig innsettingsverktøy.

Velg den riktige trykkluftshammeren for en oppgave

Det er viktig å velg riktig størrelse på trykkluftshammeren for arbeidet som skal utføres.

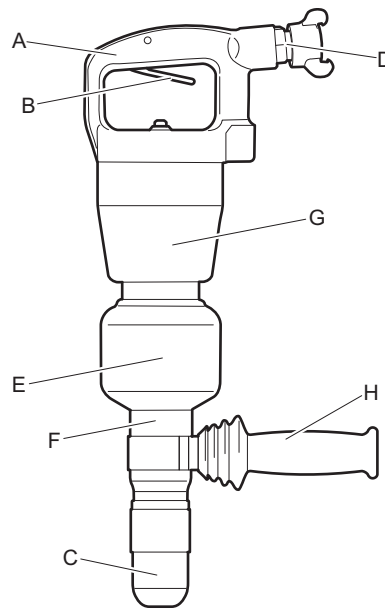
En trykkluftshammer som er for liten betyr at arbeidet vil ta lengre tid.

En hammer som er for stor betyr at du må plassere hammeren på nytt veldig ofte, noe som er unødvendig trettende for operatøren.

En enkel regel for valg av rett størrelse på trykkluftshammeren er at en normal størrelse på det brutte materialet bør kunne fjernes fra arbeidsstykke innen 5-10 sekunder.

- Hvis det tar mindre enn 5 sekunder må det velges en mindre trykklufthammer.
- Hvis det tar mer enn 10 sekunder må det velges en større trykklufthammer.

Hoveddeler

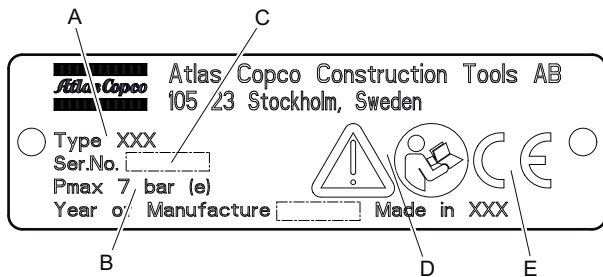


- A. Håndtak
- B. Utløser
- C. Verktøyholder
- D. Luftinntak
- E. Lyddemper
- F. Sylinder
- G. Kabinett
- H. Fronthåndtak (valgfritt)

Merker

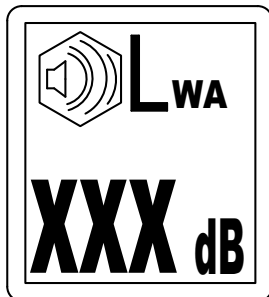
Maskinen er utstyrt med merker som inneholder viktig informasjon om personlig sikkerhet og vedlikehold av maskinen. Disse merkene skal være i en tilstand som gjør det enkelt å lese dem. Nye merker kan bestilles fra reservedellisten.

Typeskilt



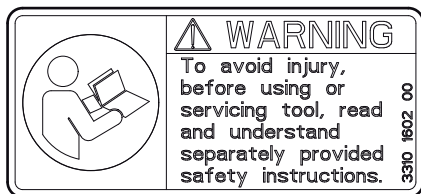
- A. Maskintype
- B. Maksimale tillatt lufttrykk
- C. Serienummer
- D. Varseltrekanten sammen med boksymbolet betyr at brukeren må lese sikkerhets- og bruksinstruksjonene før maskinen brukes for første gang.
- E. CE-symbolet betyr at maskinen er CE-godkjent. Se CE-erklæringen som er medsendt maskinen for ytterligere informasjon. Hvis CE-symbolet mangler, betyr det at maskinen ikke er CE-godkjent.

Støynivåmerke



Dette merket indikerer garantert støynivåindikator i henhold til EU-direktiv 2000/14/EC. Se „Tekniske data“ for nøyaktig støynivå.

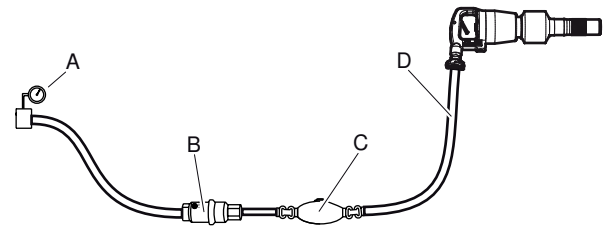
Sikkerhetsskilt



Før du begynner å bruke eller utføre service på maskinen, må du lese og forstå sikkerhetsinstruksjoner levert separat for å unngå at det oppstår skade.

Installasjon

Slanger og koplingsstykker



- A. Trykkluftskilde
 - B. Vannseparator (ekstrautstyr)
 - C. Smøreapparat (tillegg)
 - D. Maks. 3 m (10 ft) trykkluftslange mellom smøreapparatet og maskinen.
- ♦ Sjekk at du bruker korrekt driftstrykk, 6 bar (e) (87 psi).
 - ♦ Du må ikke bruke høyere trykk enn det maksimalt tillatte driftstrykket, 7 bar (e) (102 psi).
 - ♦ Blås ut smuss av trykkluftsslengen før du kople den til maskinen.
 - ♦ Velg riktig diameter og lengde på trykkluftsslengen. For slangelengder opp til 30 m (100 ft), skal en slange med en minimum innvendig diameter på 19mm (3/4 in.) brukes. Hvis slagelengden er mellom 30 og 100 m (100 og 330 ft), skal en slange med en minimum innvendig diameter på 25 mm (1 in.) brukes.

Metoder for å forhindre frysing

Isdannelse i lydempere kan oppstå når lufttemperaturen er 0-10°C (32-50 °F) og den relative luftfuktigheten er høy.

Maskinen er laget for å unngå isdannelse i lydempere. På tross av dette kan det bli dannet is på lydempere under ekstreme forhold.

Ta følgende forholdsregler for å motvirke faren for isdannelse ytterligere:

- ♦ Bruk Atlas Copco Breaker and hammer AIR-OIL som smøremiddel. Breaker and hammer AIR-OIL motvirker frysing.
- ♦ Bruk en vannutskiller.

Koble til en vannutskiller

Lengden på slangen mellom kompressoren og vannutskilleren må være nok til at vanddampen er avkjølet og kondensert i slangen før den når vannutskilleren.

Dersom omgivelsestemperaturen er under 0 °C (32 °F) må slangen være kort nok til å forhindre at vannet fryser før det når vannutskilleren.

Smøremiddel

Smøring er viktig for maskinens funksjoner og har en stor innvirkning på levetiden. Hvis den ikke har et integrert smøreapparat, bør et separat smøreapparat kobles til luftslangen. For å sikre god smøring, skal lengden på luftslangen mellom det separate smøreapparatet og den pneumatiske ikke være lenger enn 3 meter.

Bruk en syntetisk smøreolje som Atlas Copco AIR-OIL eller mineralolje til hammere med de egenskaper som er anbefalt i tabellen under.

Smøreolje	Temperaturområde (°C)	Viskositet
AIR-OIL til hammere	-30 til +50	-
Mineralolje/syntetisk olje	+15 til +50	ISO VG 46–68
Mineralolje/syntetisk olje	-20 til +15	ISO VG 22–32

Innsetningsverktøy

▲ FORSIKTIG Varmt innsetningsverktøy

Tuppen på innsetningsverktøyet kan bli varmt og skarpt når det brukes. Berøring kan føre til brannskår eller kuttskader.

- ▶ Et varmt eller skarpt innsetningsverktøy må ikke berøres.
- ▶ Vent til innsetningsverktøyet er avkjølt før du utfører vedlikeholdsarbeid.

LES DETTE Kjøl aldri ned et varmt innsetningsverktøy i vann. Det kan resultere i sprøhet og at skader oppstår tidlig.

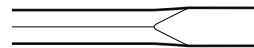
Valg av riktig innsetningsverktøy

Valg av riktig innsetningsverktøy er en forutsetning for korrekt maskinfunksjon. Det er viktig å velge verktøy av høy kvalitet for å unngå unødvendig maskinskade.

Maskinen kan bli ødelagt ved bruk av feilaktig innsetningsverktøy.

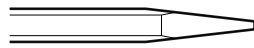
Anbefalt innsetningsverktøy er listet opp i maskinens reservedelsliste.

Smal meisel



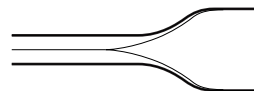
Den smale meiselen brukes for rivnings- og kuttearbeid i betong og andre typer hardt materiale.

Spissmeisel



Spissmeiselen skal bare brukes for å lage hull i betong og andre typer harde materialer.

Bredbladet meisel

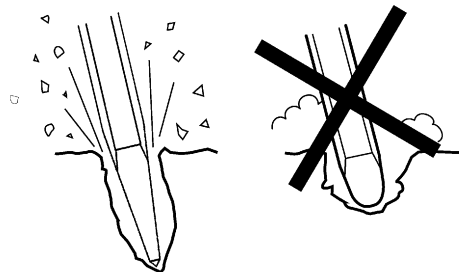


Den bredbladede meiselen brukes i myke materialer, som asfalt og frossen grunn.

▲ ADVARSEL Vibrasjonsfare

Bruk av innsetningsverktøy som ikke oppfyller kriteriene nedenfor vil føre til at det tar lengre tid å utføre et arbeid og at vibrasjonseksposeringen blir større. Et sløvt verktøy vil også øke tiden det tar å utføre et arbeid.

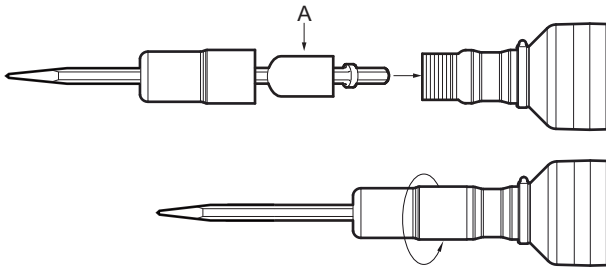
- ▶ Sørg for at det innsatte verktøyet er godt vedlikeholdt, ikke slitt og at det har riktig størrelse.
- ▶ Bruk alltid et skarpt verktøy for å jobbe effektivt.



Montering og fjerning av innsetningsverktøyet

Når du monterer eller fjerner innsetningsverktøyet må følgende instruksjoner overholdes:

- ◆ For å forhindre utilsiktet start: Slå av lufttilførselen og frakoble maskinen fra strømkilden. Tapp ut luften fra maskinen ved å trykke på start/stopp-enheten.
- ◆ Før du monterer et verktøy, må du smøre verktøyets spindel med smøring.
- ◆ Lukk verktøyholderen og kontroller låsefunksjonen ved å nappe det innsatte verktøyet utover.



1. Plasser lokket over sekskantkroppen på innsetningsverktøyet.
2. Plasser bufferen (A) over skaftet på innsetningsverktøyet.
3. Sett innsetningsverktøyet inn i sylindren og skru lokket på sylindrenheten til det er låst.

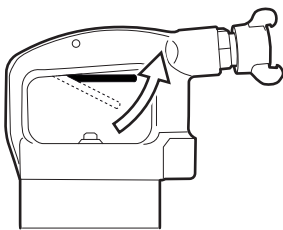
Bruk

▲ ADVARSEL Utilsiktet start

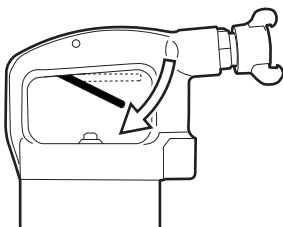
Utilsiktet start av maskinen kan forårsake skade.

- ▶ Hold hendene unna start- og stoppknappene til du er klar til å begynne arbeidet.
- ▶ Lær om hvordan maskinen slås av i tilfelle det skulle oppstå en nødssituasjon.
- ▶ Stopp alltid maskinen umiddelbart hvis strømtilførselen avbrytes.

Start og stopp



Start maskinen ved å trykke på avtrekkeren mens du holder et godt tak i håndtaket.

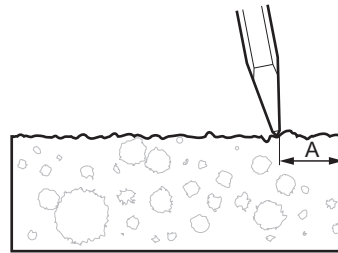


Stopp maskinen ved å løse ut avtrekkeren. Avtrekkeren går automatisk tilbake til stopposisjon.

Bruk

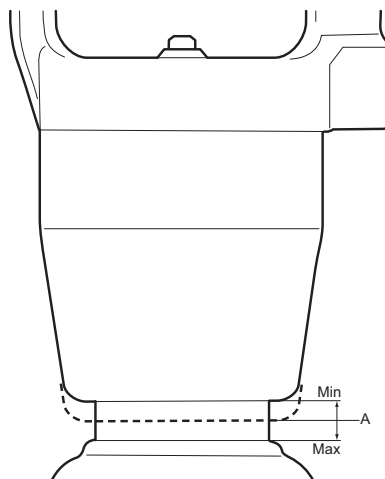
Starte et kutt

- ◆ Innta en stødig stilling med føttene på god avstand fra det innsatte verktøyet.
- ◆ Press maskinen mot arbeidsoverflaten før start.
- ◆ Ta anslag i en slik avstand fra kanten at maskinen kan bryte materiale uten vektstangkraft.
- ◆ Ikke prøv å bryte av for store biter. Juster avstanden (A) slik at innsetningsverktøyet ikke sitter fast.



Meisling

- ◆ La maskinen gjøre arbeidet; ikke trykk for hardt. Det vibrasjonsdempende håndtaket må absolutt ikke bli trykket hele veien ned til fundamentet.
- ◆ For pneumatiske maskiner med vibrasjonsdempende håndtak: Trykkraften skal tilpasses slik at håndtaket blir trykket „halvveis” ned. Den beste vibrasjonsdempingen og bryteeffekten oppnås i denne posisjonen.



- ◆ Unngå å arbeide i ekstremt harde materialer, f.eks. granitt og armeringsjern (armeringsstenger), da det vil forårsake betydelige vibrasjoner.
- ◆ Unngå enhver form for tomgangskjøring, bruk uten innsatt verktøy eller bruk med løftet maskin.

- ◆ Når maskinen er løftet, må ikke start- og stoppanordningen aktiveres.
- ◆ Kontroller regelmessig at maskinen får nok smøring.

Når man tar en pause

- ◆ Under alle pauser må maskinen settes unna slik at det ikke er noen risiko for utilsiktet start. Forsikre deg om at maskinen er lagt på bakken, slik at den ikke kan falle.
- ◆ Ved lange pauser eller når man forlater arbeidsplassen: Slå av strømtilførselen og tøm maskinen for luft ved å sette i gang start- og stopp-knappen.

Vedlikehold

Jevnlig vedlikehold er en grunnforutsetning for fortsatt sikker og effektiv bruk av maskinen. Følg vedlikeholdsinstruksjonene nøye.

- ◆ Rengjør maskinen før du starter vedlikeholdet på den for å unngå å bli utsatt for skadelige stoffer. Se „Støv- og røykfarer”
- ◆ Bruk bare autoriserte deler. Skade eller feilfunksjon som skyldes bruk av uautoriserte deler blir ikke dekket av garantien eller produktansvaret.
- ◆ Når mekaniske deler rengjøres med løsemidler, må gjeldende helse- og sikkerhetsforskrifter følges, og man må sørge for tilstrekkelig ventilasjon.
- ◆ For større vedlikehold av maskinen, kontakt ditt nærmeste autoriserte verksted.
- ◆ Kontroller at maskinens vibrasjonsnivå er normalt etter hver service. Hvis ikke, må du kontakte nærmeste autoriserte verksted.

Hver dag

Før du foretar noe vedlikehold eller skifte av innsetningsverktøy på trykkluftmaskiner, må du alltid slå av lufttilførselen og tappe ut luften fra maskinen ved å trykke ned start og stoppavtrekkeren. Koble deretter luftslangen fra maskinen.

- ◆ Rengjør og undersøk maskinen og funksjonene dens hver dag før du begynner å jobbe med den.
- ◆ Sjekk verktøyholderen for slitasje og funksjon.
- ◆ Utfør en generell inspeksjon for lekkasje og skade.
- ◆ Sjekk at luftinntaknipplene er strammet til, og at klokkoplingen ikke er skadet.

- ◆ For at maskinen skal opprettholde de spesifiserte vibrasjonsverdiene, må følgende alltid sjekkes:
For stor frigang mellom verktøyets spindel og huggjernbøssingen vil skape økt vibrasjon. For å forhindre risiko for store vibrasjoner, sjekk huggjernbøssingen for slitasje hver dag.

- ◆ Hvis maskinen har vibrasjonsdempende håndtak, må du kontrollere at de(t) beveger seg fritt (opp og ned) og at det ikke setter seg fast.
- ◆ Bytt ut skadede deler umiddelbart.
- ◆ Skift ut slitte komponenter i god tid.
- ◆ Sørg for at alt montert og relatert utstyr, som slanger, vannseparatorer og smørere blir ordentlig vedlikeholdt.

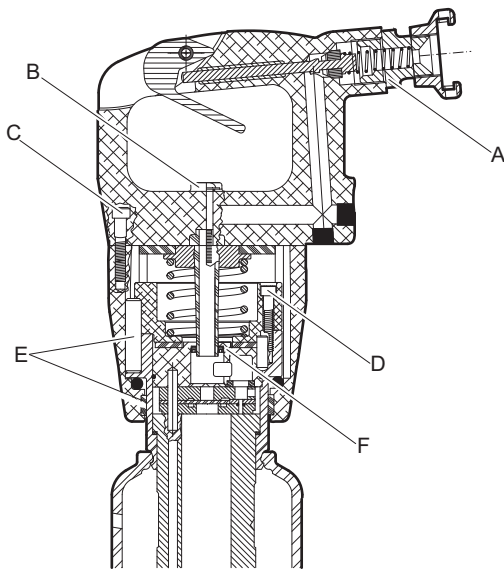
Periodisk vedlikehold

Etter en driftsperiode på ca 100 slagtimer eller tre ganger i året, må maskinen demonteres og alle deler renses og sjekkes. Dette arbeidet må utføres av autorisert personell som er opplært til denne oppgaven.

Som et prinsipp, for å opprettholde en høy ytelse må delene i tabellen ikke bli slitt mer enn de oppgitte dimensjonene. Merk at TEX 07PE ikke har luftputedemping på stemplet. Dette betyr at dempingsevnen ikke kan brukes for å bestemme graden av slitasje på stemplet og sylindren.

Del	Maksimum indre diameter (mm)	Maksimum ytre diameter (mm)
Sylinder	28,63	-
Stempel	-	28,50

Monteringsinstruksjoner



- A. Kraftmoment: 88–95 Nm, bruk Loctite® 243™ (Loctite er et registrert varemerke for Henkel Corporation. 243 er et varemerke for Henkel Corporation.)
- B. Kraftmoment: 15–17 Nm, UNF 1/4" x 44 (1-3/4")
- C. Kraftmoment: 15–17 Nm, UNC 1/4" x 32 (1-1/4")
- D. Kraftmoment: 17 Nm, bruk Loctite® 243™, M6 x 40 - 12.9
- E. Ikke smør støttevalser, slitasjering eller tilsvarende kontaktoverflater.
- F. Fjern O-ringen fra forseglingen før montering. O-ringen er bare en støtte for å forhindre at forseglingen beholder den riktige formen til alt er montert.

Feilsøking

Hvis den pneumatiske maskinen ikke starter, har liten kraft eller ujevn ytelse, sjekk følgende punkter.

- ◆ Sjekk at innsetningsverktøyet har riktig spindeldimensjon.
- ◆ Sjekk at den pneumatiske maskinen får riktig mengde smøring. For mye smøring kan forårsake startproblemer liten kraft eller ujevn ytelse.
- ◆ Sjekk at trykkluftsystemet leverer tilstrekkelig trykkluft til maskinen for å sørge for full kraft.
- ◆ Sjekk at dimensjonene og lengden av luftslangen er i henhold til anbefalingene. Se „Installasjon”.
- ◆ Hvis det er fare for frost, sjekk at maskinens utblåsningsporter ikke er blokkert.

- ◆ Hvis maskinfunksjonen fortsatt ikke er tilfredsstillende etter denne prosedyren, kontakt et autorisert serviceverksted.

Lagring

- Rengjør maskinen før du setter den bort for å unngå å bli utsatt for skadelige stoffer. Se „Støv- og røykfarer”
- Tøm ca 1/2 oz (5 cl) olje rett på luftinntaknippen, koble maskinen til trykklufttilførselen og kjøør den i et par sekunder.
- Lagre maskinen på et tørt sted.

Avhending

En utslitt maskin må behandles og avhendes på en slik måte at flest mulig deler av materialet kan resirkuleres og at negativ innvirkning på miljøet blir holdt så lavt som mulig og i henhold til lokale forskrifter.

Tekniske data

Maskindata

Type	Spindeldimensjon mm	Vekt kg	Lengde mm	Slagfrekvens Hz	Luftforbruk l/s
TEX 07PE	H19 x 50	8,7	525	29,5	17
TEX 07PE, med håndtak foran	H19 x 50	9,0	525	29,5	17

Støy- og vibrasjonsdeklarasjoner

Garantert lydeffektnivå **L_w** iht. EN ISO 3744 iht. direktiv 2000/14/EC.

Lydtrykknivå **L_p** iht. EN ISO 11203.

Vibrasjonsverdi **A** og usikkerhet **B** bestemt i henhold til EN ISO 20643. Se tabellen „Støy og vibrasjonsdata” for verdiene A, B etc.

Disse verdiene er oppnådd ved laboratorietesting i henhold til de meddelte direktiver eller standarder og er hensiktsmessig for sammenligning med de erklærte verdiene av andre verktøy testet i samsvar med de samme direktivene eller standarder. Disse meddelte verdiene er ikke tilstrekkelige for bruk i risikotaksering og verdier målt på individuelle arbeidsplasser kan være høyere. De faktiske eksponeringsverdiene og risikoen for skade opplevd av en individuell bruker er unike og avhenger av arbeidsmåten, hvilket materiale maskinen brukes på, i tillegg til eksponeringstid og brukerens fysiske tilstand, og maskinens tilstand.

Vi, Atlas Copco Construction Tools AB, kan ikke holdes ansvarlige for konsekvenser oppstått ved bruk av deklarererte verdier, i stedet for verdier som reflekterer den faktiske eksponeringen, i en individuell risikotaksering på en arbeidsplass har vi ikke kontroll over situasjonen over.

Dette verktøyet kan forårsake hånd-arm vibrasjonssyndrom hvis bruken ikke er tilstrekkelig godt utført. En EU-guide om hvordan man kan håndtere vibrasjoner i hånd og arm finner du her:
<http://www.humanvibration.com/humanvibration/EU/VIBGUIDE.html>

Vi anbefaler et program på helsekontroll for å oppdage tidlige symptomer som kan relateres til vibrasjonseksponering, slik at ledelsesprosedyrene kan modifiseres for å hjelpe til med å forhindre svekkelser i framtiden.

Ytterligere vibrasjonsinformasjon

Denne informasjonen vil hjelpe deg med å gjøre grove estimeringer av vibrasjonsverdier på arbeidsplassen din.

Vibrasjonsutstråling varierer mye avhengig av arbeidsoppgaver og operatørens teknikk. Den oppgitte vibrasjonsverdien gjelder hovedhåndtaket. I andre posisjoner kan vibrasjonsnivået være mye høyere. Vi mener at hvis maskinen brukes normalt til dens tiltenkte bruksområder, vil vibrasjonen befinne seg i området C^{m/s^2} og E^{m/s^2} (vibrasjonens totalverdier, som definert i EN ISO 5349-1) avhengig av arbeidsoppgaven, men vibrasjonsnivået kan være høyere for noen bruksområder.

Et nivå på D^{m/s^2} og F^{m/s^2} er antageligvis en brukbar gjennomsnittlig verdi hvis man f.eks. grovt estimerer sannsynlig vibrasjonsverdi for alle mulige tiltenkte bruksområder til maskinen. Vi gjør oppmerksom på at bruksområdet til verktøyet til en enkelt oppgave kan produsere en ulik middelverdiutstråling og i slike tilfeller anbefaler vi på det sterkeste en spesifikk vurdering av vibrasjonsutstrålingene.

Støy og vibrasjonsdata

Type	Lyd		Vibrasjon					
	Lydtrykk	Lydeffekt	Tre akseverdier					
	Oppgitte verdier		Oppgitte verdier		Ytterligere vibrasjonsinformasjon			
	EN ISO 11203	2000/14/EC	EN ISO 20643		Betong		Murstein	
	Lp r=1m dB(A) rel 20µPa	Lw garantert dB(A) rel 1pW	A m/s ² verdi	B m/s ² spredning	C m/s ² område	D m/s ² gj.sn.	E m/s ² område	F m/s ² gj.sn.
TEX 07PE Med kun D- håndtak	87	104	12,4	1,7	9,0-11,9	10,5	7,9-10,0	9,0
TEX 07PE Med D- håndtak og håndtak foran	87	104	10,5	1,5	7,5-11,2	9,6	9,6-12,2	10,6

EU Samsvarserklæring

EU Samsvarserklæring (EU-direktiv 2006/42/EF)

Vi, Atlas Copco Construction Tools AB, erklærer herved at maskinene listet opp under er i samsvar med bestemmelsene i EU-direktiv 2006/42/EF (Maskindirektiv) og 2000/14/EF (Direktiv om støyemisjon), samt de harmoniserte standarderene som nevnes under.

Håndholdte pneumatiske pakkhammere	Garantert lydeffektnivå [dB(A)]:	Målt lydeffektnivå [dB(A)]:	Pmaks (bar)
TEX 07PE	104	98	7

Følgende harmoniserte standarder er benyttet:

- ◆ EN ISO 11148-4

Følgende andre standarder er benyttet:

- ◆ Lloyds Register Quality Assurance, NoBo no.0088

Autorisert representant til teknisk dokumentasjon:

Per Forsberg
 Atlas Copco Construction Tools AB
 Dragonvägen 2
 Kalmar

Viseadministrerende Direktør Design og Utvikling:

Erik Sigfridsson

Fabrikant:

Atlas Copco Construction Tools AB
 105 23 Stockholm
 Sweden

Sted og dato:

Kalmar, 2012-06-30

SVENSKA

Innehåll

Inledning.....	233
Om säkerhetsinstruktionen och bruksanvisningen.....	233
Säkerhetsinstruktioner.....	234
Säkerhetssymboler.....	234
Personliga försiktighetsåtgärder och utbildning.....	234
Personlig skyddsutrustning.....	234
Droger, alkohol eller läkemedel.....	234
Installation, säkerhetsåtgärder.....	234
Drift, säkerhetsåtgärder.....	235
Underhåll, försiktighetsåtgärder.....	238
Förvaring, försiktighetsåtgärder.....	239
Översikt.....	240
Konstruktion och användningsområde.....	240
Välja rätt tryckluftshammare för uppgiften.....	240
Maskinens huvuddelar.....	240
Dekaler.....	240
Typskylt.....	241
Ljudnivådekal.....	241
Säkerhetsdekal.....	241
Installation.....	241
Slangar och anslutningar.....	241
Åtgärder för att förhindra frysning.....	241
Ansluta en vattenavskiljare.....	242
Smörjning.....	242
Insatsverktyg.....	242
Välja rätt insatsverktyg.....	242
Flatmejsel.....	242
Pikmejsel.....	242
Bredmejsel.....	242
Montera och demontera insatsverktyget.....	242
Drift.....	243
Start och stopp.....	243
Drift.....	243
Påbörja skärarbetet.....	243
Brytning.....	243
När du tar rast.....	244
Underhåll.....	244
Dagligen.....	244
Regelbundet underhåll.....	244
Monteringsinstruktioner.....	245
Felsökning.....	245
Förvaring.....	245
Kassering.....	245
Tekniska specifikationer.....	246
Maskindata.....	246
Buller- och vibrationsdeklaration.....	246
Ytterligare vibrationsinformation.....	246

Buller- och vibrationsdata	247
EG-deklaration om överensstämmelse	248
EG-deklaration om överensstämmelse (EG-direktiv 2006/42/EG)	248

Inledning

Tack för att ni valt en produkt från Atlas Copco. Sedan 1873 har vi arbetat med att hitta nya och bättre sätt att tillgodose våra kunders behov. Vi har under årens lopp utvecklat nyskapande och ergonomiska produktlösningar som har hjälpt kunderna att förbättra och rationalisera det dagliga arbetet.

Atlas Copco har ett starkt globalt försäljnings- och servicenät med kontor och återförsäljare runt om i världen. Våra experter är välutbildade yrkesmän med omfattande produktkännedom och praktisk erfarenhet. Vi kan stå till tjänst med produktsupport och expertkunskap i alla delar av världen så att våra kunder alltid kan arbeta så effektivt som möjligt.

För mer information besök: www.atlascopco.com

Atlas Copco Construction Tools AB
105 23 Stockholm
Sweden

Om säkerhetsinstruktionen och bruksanvisningen

Syftet med dessa instruktioner är att ge dig kunskap om hur man använder tryckluftsspettet på ett effektivt och säkert sätt. Du får även råd och information om hur regelbundet underhåll ska utföras på tryckluftsspettet.

Innan du använder tryckluftsspettet första gången ska du läsa igenom instruktionerna noggrant och se till att du förstår dem till fullo.

Säkerhetsinstruktioner

För att minska risken för att du själv eller andra ska råka ut för allvarliga skador eller dödsfall bör du läsa och förstå denna Säkerhetsinstruktion och bruksanvisning innan du installerar, använder, reparerar, underhåller eller byter tillbehör på maskinen.

Sätt upp denna Säkerhetsinstruktion och bruksanvisning på arbetsplatsen, dela ut kopior till de anställda och se till att alla läser den innan de använder eller utför service på maskinen.

Dessutom ska användaren eller användarens arbetsgivare genomföra en bedömning av de specifika risker som kan förekomma varje gång maskinen är i drift.

Säkerhetssymboler

Signalorden Fara, Varning och Varsamhet har följande betydelser:

FARA	Indikerar en överhängande farlig situation som – om den inte undviks – kommer att leda till dödsfall eller allvarlig personskada.
VARNING	Indikerar en farlig situation som – om den inte undviks – kan leda till dödsfall eller allvarlig personskada.
OBSERVERA	Indikerar en farlig situation som – om den inte undviks – kan leda till lindrig eller måttlig personskada.

Personliga försiktighetsåtgärder och utbildning

Endast behörig och utbildad personal får använda maskinen eller utföra underhåll på den. Personalen måste orka hantera verktygets volym, vikt och kraft. Använd alltid sunt förnuft och gott omdöme.

Personlig skyddsutrustning

Använd alltid godkänd skyddsutrustning. Maskinanvändarna och alla andra personer som vistas inom arbetsområdet måste bära minst följande skyddsutrustning:

- Skyddshjälm
- Hörselskydd
- Slagtåliga skyddsglasögon med sidoskydd
- Andningskydd, vid behov
- Skyddshandskar

- Lämpliga skyddsskor
- Lämplig arbetsoverall eller liknande kläder (inte löst sittande plagg) som täcker armar och ben.

Droger, alkohol eller läkemedel

▲ VARNING Droger, alkohol eller läkemedel

Droger, alkohol och läkemedel kan påverka ditt omdöme och koncentrationsförmåga. Dålig reaktionsförmåga och felbedömningar kan leda till allvarliga olyckor eller dödsfall.

- ▶ Använd inte maskinen när du är trött eller påverkad av alkohol, droger eller läkemedel.
- ▶ Personer som är påverkad av alkohol, droger eller läkemedel får inte använda maskinen.

Installation, säkerhetsåtgärder

▲ FARA Kastande luftslang

En tryckluftsslang som lossnar kan kastas runt och leda till personskador eller dödsfall. För att minska risken för detta:

- ▶ Kontrollera att tryckluftsslangen och anslutningarna inte är skadade, byt ut vid behov.
- ▶ Kontrollera att alla tryckluftsanslutningar är riktigt anslutna.
- ▶ Bär aldrig en tryckluftsmaskin i luftslangen.
- ▶ Försök aldrig koppla isär en tryckluftsslang som är trycksatt. Stäng först av tryckluftsförsörjningen på kompressorn och avlufta sedan maskinen genom att aktivera start- och stoppanordningen.
- ▶ Använd inte snabbkopplingar till verktygsfästet. Använd härdade slanganslutningar med stålgångor (eller material med motsvarande stöthållfasthet).
- ▶ Vid användning av universalvridkopplingar (klokkopplingar) rekommenderas montering av låssprintar samt användning av säkerhetsvajar för att skydda vid eventuella fel på anslutningen mellan slang och verktyg eller mellan slangar.

▲ FARA Trycksatt luft

Högtrycksluft som träffar huden kan tränga igenom huden och förorsaka allvarliga personskador eller dödsfall.

- ▶ Stäng alltid av tryckluftsförsörjningen, tryckavlasta slangerna och koppla loss maskinen från tryckluftsförsörjningen när den inte används, innan tillbehör byts eller innan reparationer påbörjas.
- ▶ Rikta aldrig en tryckluftsslang mot dig själv eller någon annan. För att undvika risken för personskador får tryckluft inte användas för att blåsa bort till exempel damm, smuts och liknande från kläderna.

▲ VARNING Utslungat insatsverktyg

Om maskinens verktygshållare inte är låst kan insatsverktyget kastas ut med stor kraft och förorsaka personskador.

- ▶ Starta inte maskinen under byte av insatsverktyg.
- ▶ Stanna maskinen, stäng av strömförsörjningen och lufta maskinen genom att aktivera start- och stoppanordningen innan byte av insatsverktyg eller tillbehör sker.
- ▶ Rikta inte insatsverktyget mot dig själv eller någon annan.
- ▶ Se till att insatsverktyget är ordentligt monterat och att verktygshållaren är låst innan maskinen startas.
- ▶ Kontrollera låsfunktionen genom att dra insatsverktyget utåt med kraft.

▲ VARNING Rörligt/löst insatsverktyg

En felaktig dimension på insatsverktygets nacke kan leda till att insatsverktyget tappas eller glider ur under användningen. Risk för allvarliga skador eller klämskador på fingrar och händer.

- ▶ Kontrollera att nacken på insatsverktyget har rätt dimensioner för maskinen som ska användas.
- ▶ Insatsverktyg utan krage får inte användas.

Drift, säkerhetsåtgärder

▲ FARA Explosionsrisk

Om insatsverktyget kommer i kontakt med sprängämnen kan en explosion inträffa. Arbete på vissa material och användning av vissa material i maskindelar kan medföra gnistbildning eller antändning. Explosioner kan orsaka allvarliga personskador eller dödsfall.

- ▶ Använd aldrig maskinen i explosiva miljöer.
- ▶ Använd inte maskinen nära brännbara material, ångor eller damm.
- ▶ Kontrollera att det inte finns några okända gaskällor eller sprängämnen i närheten.

▲ VARNING Oförutsedda rörelser

Insatsverktyget utsätts för hög belastning när maskinen används. Insatsverktyget kan gå sönder på grund av materialutmattning efter en viss tids användning. Om insatsverktyget går sönder eller fastnar kan maskinen göra plötsliga eller våldsamma kast som kan orsaka personskador. Skador kan även uppstå om användaren tappar balansen, eller halkar.

- ▶ Se till att du alltid står stabilt med fötterna lika brett isär som dina axlar och med kroppen i balans.
- ▶ Kontrollera alltid utrustningen före användning. Använd inte utrustningen om du misstänker att den är skadad.
- ▶ Se till att handtagen är rena och fria från smörjfett och olja.
- ▶ Håll fötterna på avstånd från insatsverktyget.
- ▶ Stå stadigt och håll alltid i maskinen med bägge händerna.
- ▶ Starta inte maskinen när den ligger på marken.
- ▶ Sitt inte gränsl över maskinen med ena benet över handtaget.
- ▶ Slå inte på eller på annat sätt missbruka utrustningen.
- ▶ Kontrollera regelbundet att insatsverktyget inte är slitet och kontrollera om det finns några tecken på skador eller synliga sprickor.
- ▶ Var uppmärksam och fokuserad på arbetsuppgiften.

▲ VARNING Faror med damm och ångor

Damm och/eller ångor som uppstår eller sprids vid användning av maskinen kan orsaka allvarliga permanenta sjukdomar i andningsvägar, andra sjukdomar eller fysiska skador (till exempel silikos eller andra obotliga och potentiellt dödliga lungsjukdomar, cancer, fosterskador och/eller hudinflammationer).

Vissa typer av damm och ångor som uppstår vid borring, brytning, hamrande, sågning, slipning eller andra byggrelaterade aktiviteter innehåller substanser som enligt Staten Kalifornien och andra myndigheter kan orsaka sjukdomar i andningsvägar, cancer, fosterskador eller andra fortplantningsskador. Exempel på sådana kemikalier är:

- Kristallin kiseldioxid, cement och andra produkter för murning.
- Arsenik och krom från kemiskt behandlat gummi.
- Bly från blybaserade målarfärger.

Damm och ångor i luften kan vara osynliga för blotta ögat. Lita därför inte på att kunna avgöra om det finns damm eller ångor i luften med bara ögats hjälp.

Vidta samtliga följande åtgärder för att minska risken för exponering för damm och ångor:

- ▶ Gör en platsspecifik riskbedömning. Riskbedömningen bör inkludera damm och ångor orsakade av användning av maskinen samt eventuella störningar från existerande damm.
- ▶ Använd lämpliga tekniska kontrollåtgärder för att minimera mängden damm och ångor i luften och minimera påbyggnad på utrustning, ytor, kläder och kroppsdelar. Exempel på sådana åtgärder är: utsugsventilation och dammuppsamlare, vattenspray och våtbörning. Kontrollera om möjligt damm och ångor vid källan. Se till att tekniska åtgärder införs, upprätthålls och används på korrekt sätt.
- ▶ Se till att bära, underhålla och använda andningsskydd på korrekt sätt, i enlighet med arbetsgivarens instruktioner och gällande arbetsmiljöbestämmelser. Andningsskyddet måste ge ett effektivt skydd för det aktuella ämnet (och i förekommande fall vara godkänt av berörd myndighet).
- ▶ Arbeta i väl ventilerade utrymmen.
- ▶ Om maskinen är försedd med utblås bör detta riktas så att störningarna från damm i dammfyllda miljöer reduceras.
- ▶ Använd och underhåll maskinen i enlighet med rekommendationerna i säkerhetsinstruktioner och bruksanvisning.
- ▶ Välj, underhåll samt byt ut förbrukningsartiklar/insatsverktyg/övriga tillbehör enligt rekommendationerna i säkerhetsinstruktioner och bruksanvisning. Felaktigt val eller bristande underhåll på förbrukningsvaror/insatsverktyg/övriga tillbehör kan leda till en onödig ökning av mängden damm eller ångor.
- ▶ Använd tvättbara skyddskläder eller skyddskläder för engångsbruk på arbetsplatsen. Duscha och byt om till rena kläder innan du lämnar arbetsplatsen för att minska exponering för damm och ångor för såväl dig själv som andra personer, i bilar, hem samt andra platser.
- ▶ Undvik att äta, dricka eller använda tobaksprodukter på platser med damm och ångor.
- ▶ Tvätta händer och ansikte så snart som möjligt när du lämnar exponeringsområdet och alltid innan du äter, dricker, använder tobaksprodukter eller har kontakt med andra människor.
- ▶ Följ alla tillämpliga lagar och bestämmelser, inklusive arbetsmiljöbestämmelser.
- ▶ Delta i övervakning av luftkvaliteten, medicinska undersökningar samt arbetsmiljöutbildningar som erbjuds av arbetsgivaren eller branschorganisationer i enlighet med arbetsmiljöbestämmelser och -rekommendationer. Rådgör med läkare med relevant kompetens i yrkesmedicin.
- ▶ Arbeta tillsammans med arbetsgivaren och branschorganisationen för att minska exponeringen för damm och ångor på arbetsplatsen och minska riskerna. För att skydda arbetstagare och andra mot skadlig exponering av damm och ångor bör effektiva arbetsmiljöprogram, riktlinjer och metoder tas fram och implementeras, baserade på råd från arbetsmiljöexperter. Rådgör med experter.
- ▶ Rester av farligt material på maskinen kan innebära en risk. Rengör maskinen grundligt innan du underhåller den.

▲ VARNING Kringflygande föremål

Defekter i arbetsmaterialet, i tillbehör eller till och med i själva maskinen kan leda till att det finns risk för kringflygande föremål. Under användning kan flisor eller andra föremål från arbetsmaterialet flyga iväg och orsaka personskador genom att träffa maskinanvändaren eller andra personer. För att minska dessa risker:

- ▶ Använd godkänd personlig skyddsutrustning och skyddshjälm, inklusive slagtåliga skyddsglasögon med sidoskydd.
- ▶ Håll obehöriga personer på avstånd från arbetsområdet.
- ▶ Håll arbetsplatsen ren och fri från främmande föremål.
- ▶ Se till att arbetsmaterialet är ordentligt säkrat.

▲ VARNING Risk för flisor

Om insatsverktyget används som slagverktyg kan flisor träffa användaren och orsaka personskador.

- ▶ Använd aldrig insatsverktyg som slagverktyg. Dessa är specialdesignade och värmebehandlade för att endast användas i en maskin.

▲ VARNING Risk för halk-, snubbel- och fallolyckor

Det finns risk för halk-, snubbel- eller fallolyckor, användaren kan till exempel snubbla över slangar eller andra föremål. Halk- snubbel- och fallolyckor kan orsaka skador. För att minska risken för detta:

- ▶ Se alltid till att inga slangar eller andra föremål ligger i vägen för dig eller någon annan person.
- ▶ Se till att alltid stå stabilt med fötterna lika brett isär som dina axlar och med kroppen i balans.

▲ VARNING Risker vid rörelser

När maskinen används för att utföra arbetsrelaterade aktiviteter kan det hända att du upplever obehag i händer, armar, axlar, nacke eller andra delar av kroppen.

- ▶ Stå i en bekväm ställning med fötterna säkert placerade. Undvik onormala ostadiga kroppsställningar.
- ▶ Byte av kroppsställning kan vara ett sätt att undvika obehag och trötthet under utdragna arbetsuppgifter.
- ▶ Rådgör med kvalificerad hälso- och sjukvårdspersonal vid ihållande eller återkommande symptom.

▲ VARNING Vibrationsfaror

Normal och korrekt användning av maskinen utsätter användaren för vibrationer. Regelbunden och frekvent exponering för vibrationer kan orsaka, bidra till eller förvärra skador eller problem i användarens fingrar, händer, handleder, armar, skuldror och/eller nerver och blodtillförsel eller andra kroppsdelar. Detta omfattar försvagningar och/eller permanenta skador eller problem som kan utvecklas gradvis under flera veckor, månader eller år. Sådana skador eller problem kan omfatta skador på blodomlopp, nervsystem och leder, men även på andra kroppsstrukturer.

Sluta använda maskinen, underrätta din arbetsgivare och kontakta läkare vid besvär med ihållande återkommande obehag, brännande känslor, stelhet, bultande, domningar, stickningar, värk, försämrad finmotorik eller greppförmåga, om huden vitnar eller andra symptom uppstår vid användning av maskinen eller efter användning av maskinen. Fortsatt användning av maskinen när sådana symptom uppstår kan öka risken för att symptomen förvärras och/eller blir bestående.

Använd och underhåll maskinen enligt rekommendationerna i dessa instruktioner för att undvika onödiga vibrationsökningar.

Följande åtgärder kan bidra till att minska risken för att användaren utsätts för vibrationer:

- ▶ Låt maskinen göra jobbet. Håll inte hårdare i handtaget än vad som behövs för kontroll och säker drift.
- ▶ Om maskinen har vibrationsdämpande handtag, håll dessa i central position och undvik att trycka in handtagen i ändstoppen.
- ▶ När slagmekanismen är aktiverad ska ingen annan del av kroppen komma i kontakt med maskinen förutom dina händer på handtaget/handtagen. Du bör till exempel inte stödja någon del av kroppen mot maskinen eller luta dig mot den för att försöka öka matningskraften. Det är dessutom viktigt att inte hålla inne start- och stoppanordningen när man drar ut insatsverktyget från det krossade materialet.
- ▶ Se till att insatsverktyget är i bra skick (samt att det är vasst om det är ett skärverktyg), har rätt storlek och inte är utslitet. Insatsverktyg som inte underhålls på rätt sätt, som är utslitna eller som har fel storlek gör att arbetet tar längre tid (vilket medför längre exponering för vibrationer) och kan resultera i eller bidra till att användaren utsätts för mer vibrationer.
- ▶ Avbryt arbetet omedelbart om maskinen plötsligt börjar vibrera våldsamt. Ta reda på orsaken till de ökade vibrationerna och åtgärda felet innan du återupptar arbetet.

- ▶ Du får inte ta tag i, hålla i eller vidröra insatsverktyget medan maskinen är igång.
- ▶ Delta i hälsokontroller, medicinska undersökningar och utbildningsprogram när arbetsgivaren erbjuder det eller när lagen kräver det.
- ▶ Bär varm klädsel och se till att hålla händerna varma och torra vid arbete under kalla förhållanden.
- ▶ Frånluften är starkt kyld och får inte komma i kontakt med användaren. Rikta alltid frånluften bort från händerna och kroppen.

Se maskinens "Buller- och vibrationsdeklaration", inklusive de deklarerade vibrationsvärdena. Denna information återfinns i slutet av denna Säkerhetsinstruktion och bruksanvisning.

- ◆ Använd rekommenderat lufttryck vid användning av maskinen. Såväl högre som lägre lufttryck kan leda till ökade vibrationer.

▲ FARA Elektriska faror

Maskinen är inte elektriskt isolerad. Om maskinen kommer i kontakt med elektricitet kan allvarliga personskador eller dödsfall inträffa.

- ▶ Använd inte maskinen i närheten av elledningar eller andra elektriska källor.
- ▶ Säkerställ att det inte finns några dolda ledningar eller andra elektriska källor i arbetsområdet.

▲ VARNING Faror med dolda föremål

Under drift kan dolda ledningar och rör utgöra en fara som kan leda till allvarliga personskador.

- ▶ Kontrollera materialets sammansättning innan du påbörjar arbetet.
- ▶ Se upp för dolda ledningar och rör, exempelvis som el, telefon, vatten, gas och avlopp.
- ▶ Stäng omedelbart av maskinen om insatsverktyget verkar ha slagit emot ett dolt föremål.
- ▶ Påbörja inte arbetet igen förrän det är riskfritt att fortsätta.

▲ VARNING Oavsiktlig start

Oavsiktlig start av maskinen kan leda till personskador.

- ▶ Håll händerna borta från start- och stoppanordningen tills arbetet skall påbörjas.
- ▶ Lär dig hur man stänger av maskinen i händelse av nödfall.
- ▶ Släpp omedelbart start- och stoppanordningen vid avbrott i strömförsörjningen.

- ▶ Vid montering/demontering av insatsverktyg, stäng av tryckluftsförsörjningen, lufta maskinen genom att trycka in start- och stoppanordningen samt koppla ifrån maskinen från strömkällan.

▲ VARNING Bullerfaror

Höga ljudnivåer kan orsaka permanenta hörselskador och andra problem som tinnitus (ringande, surrande, visslande eller brummande ljud i öronen). Minska risken och undvik onödigt höga ljudnivåer genom att:

- ▶ Göra en riskbedömning av dessa faror samt införa lämpliga kontroller.
- ▶ Använda och underhålla maskinen i enlighet med rekommendationerna i denna instruktionsbok.
- ▶ Använda, underhålla och byta ut insatsverktyget i enlighet med rekommendationerna i denna instruktionsbok.
- ▶ Om maskinen är försedd med ljuddämpare, kontrollera att denna sitter på plats och är i gott skick.
- ▶ Använd alltid hörselskydd.
- ▶ Använd dämpande material för att förhindra att arbetsmaterialet avger ett "ringande" ljud.

Underhåll, försiktighetsåtgärder

▲ VARNING Maskinmodifieringar

Eventuella modifieringar av maskinen kan leda till att du själv eller andra personer skadas.

- ▶ Modifiera inte maskinen. Modifierade maskiner omfattas inte av garantin eller tillverkarens produktansvar.
- ▶ Använd endast originaldelar, insatsverktyg och tillbehör som är godkända av Atlas Copco.
- ▶ Byt omedelbart ut skadade delar.
- ▶ Byt ut slitna delar i god tid.

▲ OBSERVERA Varmt insatsverktyg

Spetsen på insatsverktyget kan bli varmt och vasst under användning. Att vidröra spetsen kan leda till bränn- eller skärskador.

- ▶ Ta inte på ett varmt eller vasst insatsverktyg.
- ▶ Vänta tills insatsverktyget har svalnat innan du utför något underhåll på maskinen.

▲ VARNING Faror med insatsverktyget

Oavsiktlig aktivering av start- och stoppanordningen vid underhållsarbete eller montering kan orsaka allvarliga skador när strömkällan ansluts.

- ▶ Tänk på att aldrig inspektera, rengöra, montera eller demontera insatsverktyget när strömkällan är ansluten.

Förvaring, försiktighetsåtgärder

- ◆ Förvara maskiner och verktyg på en säker, låst plats utom räckhåll för barn.

Översikt

För att minska risken för allvarliga personskador eller till och med dödsfall ska du läsa avsnittet med säkerhetsinstruktionerna på de föregående sidorna i denna bruksanvisning innan du använder maskinen.

Konstruktion och användningsområde

Dessa instruktioner gäller för TEX 07PE.

TEX 07PE är en maskin med ett vibrationsdämpande D-handtag som är konstruerad för lätt rivnings- och anläggningsarbete. Maskinen kan användas både horisontellt och vertikalt. Ingen annan användning är tillåten.

Se reservdelslistan för val av rätt insatsverktyg.

Välja rätt tryckluftshammare för uppgiften

Det är viktigt att välja rätt storlek på tryckluftshammaren för arbetet som ska utföras.

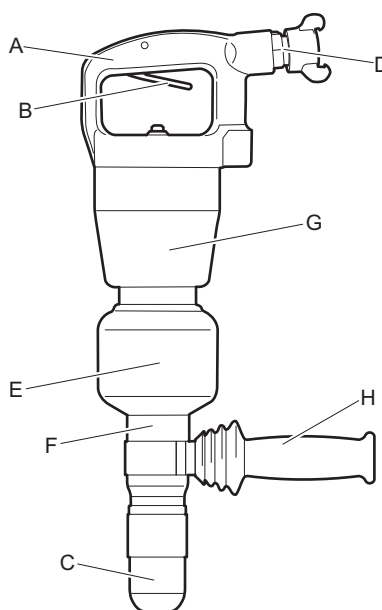
En för litet tryckluftshammare gör att arbetet tar längre tid.

En för stor tryckluftshammare gör att maskinen måste flyttas ofta vilket blir onödigt påfrestande för användaren.

En enkel regel när man ska välja rätt tryckluftshammare är att en bit material av normalstorlek bör kunna avlägsnas från arbetsstycket inom 5-10 sekunder.

- Tar det mindre än 5 sekunder bör en mindre tryckluftshammare väljas.
- Tar det mer än 10 sekunder bör en större tryckluftshammare väljas.

Maskinens huvuddelar

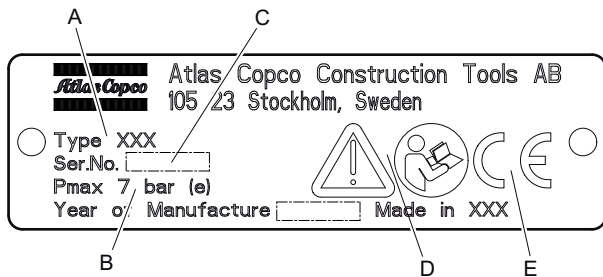


- A. Handtag
- B. Trycke
- C. Verktygshållare
- D. Luftintag
- E. Ljuddämpare
- F. Cylinder
- G. Hölje
- H. Fronthandtag (tillval)

Dekaler

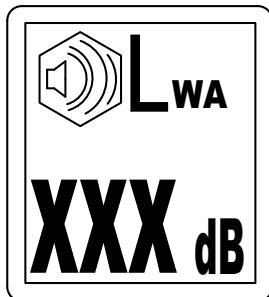
Maskinen är försedd med dekalerna som innehåller viktig information om personlig säkerhet och maskinunderhåll. Dekalerna ska vara i sådant skick att de enkelt kan läsas. Nya dekalerna kan beställas med hjälp av reservdelslistan.

Typskylt



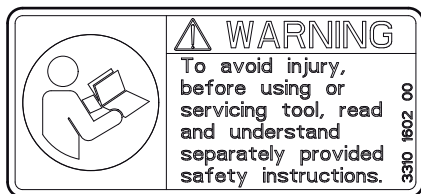
- A. Modell
- B. Maximalt tillåtet lufttryck
- C. Serienummer
- D. Varningssymbol ihop med boksymbol innebär att användaren ska läsa igenom säkerhetsinstruktionen och bruksanvisningen innan maskinen används för första gången.
- E. CE-symbolen betyder att maskinen är EG-godkänd. Se den EG-deklaration som medföljer maskinen för närmare information. Om CE-symbolen saknas betyder att maskinen inte är EG-godkänd.

Ljudnivådekal



Dekalen anger den garanterade ljudnivån i enlighet med EU-direktiv 2000/14/EG. Se "Teknisk specifikation" för rätt ljudnivå.

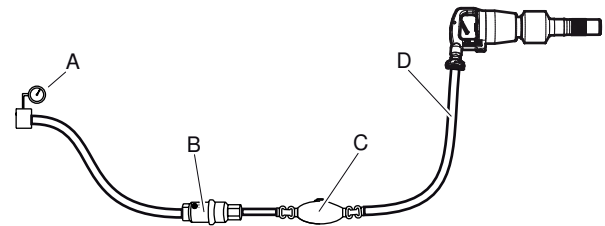
Säkerhetsdekal



För att undvika skador bör du läsa och förstå separat bifogade säkerhetsinstruktioner innan du använder eller underhåller verktyg.

Installation

Slangar och anslutningar



- A. Tryckluftskälla
 - B. Vattenavskiljare (tillval)
 - C. Smörjapparat (tillval)
 - D. Max. 3 m (10 ft) tryckluftsslang mellan smörjapparat och maskinen.
- ♦ Kontrollera att korrekt rekommenderat arbetstryck, 6 bar (e) (87 psi), används.
 - ♦ Det högsta tillåtna lufttrycket 7 bar (e) (102 psi) får ej överskridas.
 - ♦ Blås ur eventuella föroreningar ur tryckluftsslangen innan du ansluter den till maskinen.
 - ♦ Välj rätt dimension och längd på tryckluftsslangen. För slanglängder upp till 30 m (100 ft) bör en slang med en innerdiameter på minst 19 mm (3/4 in.) användas. Om slanglängden är mellan 30 och 100 m (100 och 330 ft) bör en slang med en innerdiameter på minst 25 mm (1 in.) användas.

Åtgärder för att förhindra frysning

Isbildning i ljudämparen kan uppstå när lufttemperaturen är 0–10 °C (32–50 °F) och den relativa luftfuktigheten är hög.

Maskinen är konstruerad för att undvika isbildning i ljudämparen. Trots detta kan det bildas is i ljudämparen under extrema förhållanden.

Vidta följande åtgärder för att ytterligare motverka risken för isbildning:

- ♦ Använd Atlas Copco Breaker and hammer AIR-OIL som smörjmedel. Breaker and hammer AIR-OIL motverkar frysning.
- ♦ Använd en vattenavskiljare.

Ansluta en vattenavskiljare

Luftslangen mellan kompressorn och vattenavskiljaren måste vara så lång att vattenångan kyls och kondenseras i slangen innan den når vattenavskiljaren.

Om omgivningstemperaturen är under 0 °C (32 °F) skall slangen vara så kort att vattnet inte hinner frysa innan det når vattenavskiljaren.

Smörjning

Smörjmedlet är viktigt för maskinens funktion och har stor betydelse för maskinens livslängd. Om integrerad smörjapparat saknas, anslut en separat smörjapparat till luftslangen. För att garantera god smörjning får luftslangen mellan den separata smörjapparaten och tryckluftsmaskinen inte vara längre än 3 meter.

Använd ett syntetiskt smörjmedel som Atlas Copco AIR-OIL för spett och hammare eller mineralolja med de egenskaper som rekommenderas i tabellen nedan.

Smörjmedel	Temperatur område (°C)	Viskositet
AIR-OIL för spett och hammare	-30 till +50	-
Mineralolja/Syntetisk olja	+15 till +50	ISO VG 46-68
Mineralolja/Syntetisk olja	-20 till +15	ISO VG 22-32

Insatsverktyg

▲ OBSERVERA Varmt insatsverktyg

Spetsen på insatsverktyget kan bli varmt och vasst under användning. Att vidröra spetsen kan leda till bränn- eller skärskador.

- ▶ Ta inte på ett varmt eller vasst insatsverktyg.
- ▶ Vänta tills insatsverktyget har svalnat innan du utför något underhåll på maskinen.

OBS! Kyl inte ett varmt insatsverktyg i vatten då detta kan försvaga verktyget och orsaka förtida fel.

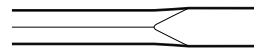
Välja rätt insatsverktyg

Rätt insatsverktyg är en förutsättning för att maskinen ska fungera bra. För att undvika onödiga skador på maskinen är det viktigt att välja insatsverktyg av hög kvalitet.

Maskinen kan gå sönder om du använder fel insatsverktyg.

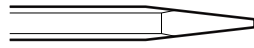
Rekommenderade insatsverktyg finns angivna i maskinens reservdelslista.

Flatmejsel



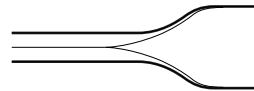
Flatmejsel bör användas vid rivning och skärarbete i betong och andra hårda material.

Pikmejsel



Pikmejseln används endast för håltagning i betong och andra hårda material.

Bredmejsel

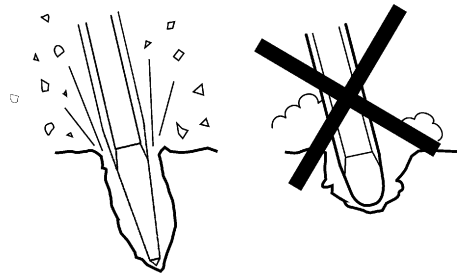


Bredmejseln används för mjuka material som till exempel asfalt och frusen mark.

▲ VARNING Vibrationsfaror

Insatsverktyg som inte möter de nedanstående kraven gör att arbetet tar längre tid att utföra och kan leda till ökade vibrationer. Slitna insatsverktyg gör dessutom att arbetet tar längre tid.

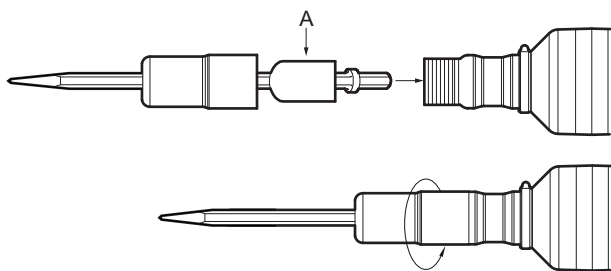
- ▶ Se till att insatsverktyget är i bra skick, inte är utslitit och har rätt storlek.
- ▶ Använd alltid vassa insatsverktyg för att arbeta effektivt.



Montera och demontera insatsverktyget

Vid montering eller demontering av insatsverktyget måste följande instruktioner iakttagas:

- ◆ För att förhindra oavsiktlig start av maskinen: stäng av tryckluftförsörjningen och koppla ifrån maskinen från strömkällan. Lufta maskinen genom att trycka in start- och stoppanordningen.
- ◆ Smörj insatsverktygets nacke med smörjfett före montering.
- ◆ Stäng verktygshållaren och kontrollera låsfunktionen genom att dra insatsverktyget utåt med kraft.



1. Placera kåpan över insatsverktygets sexkantiga stomme.
2. Placera bufferten (A) över insatsverktygets skaft.
3. För in insatsverktyget i cylindern och skruva fast kåpan på cylindern tills den är låst.

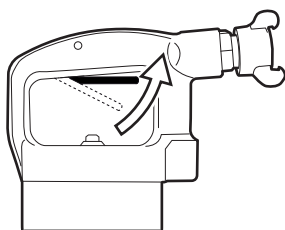
Drift

▲ VARNING Oavsiktlig start

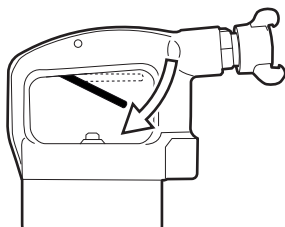
Oavsiktlig start av maskinen kan leda till personskador.

- ▶ Håll händerna borta från start- och stoppanordningen tills arbetet skall påbörjas.
- ▶ Lär dig hur man stänger av maskinen i händelse av nödfall.
- ▶ Stanna maskinen omedelbart i händelse av störningar i strömförsörjningen.

Start och stopp



Starta maskinen genom att hålla stadigt i handtaget och pressa in trycket.

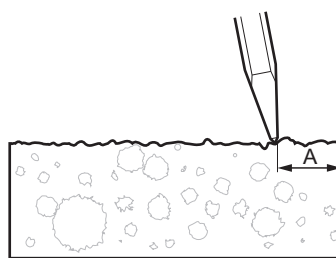


Stoppa maskinen genom att släppa trycket. Trycket återgår automatiskt till stoppläget.

Drift

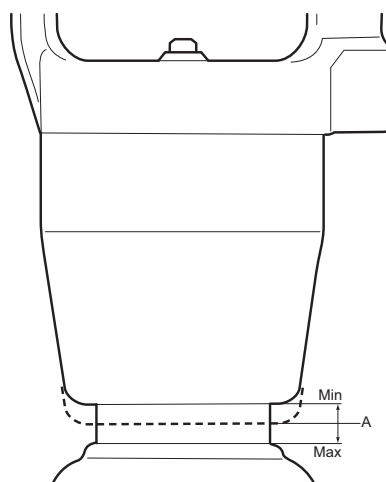
Påbörja skärbetet

- ◆ Stå stadigt med fötterna på säkert avstånd från insatsverktyget.
- ◆ Tryck maskinen mot arbetsytan innan du börjar.
- ◆ Gör ansättning på sådant avstånd från kanten att maskinen förmår spräcka materialet utan brytning.
- ◆ Försök aldrig ta loss för stora bitar. Anpassa brytavståndet (A) så att insatsverktyget inte fastnar.



Brytning

- ◆ Låt maskinen göra jobbet. Tryck inte för hårt. Det vibrationsdämpande handtaget får absolut inte tryckas ner hela vägen.
- ◆ För tryckluftsmaskiner med vibrationsdämpande handtag: Matningskraften bör anpassas så att handtaget trycks ner halvvägs. Bästa vibrationsdämpning och bryteffekt uppnås i detta läge.



- ◆ Undvik att arbeta i extremt hårda material som till exempel granit och armeringsjärn eftersom de kan orsaka kraftiga vibrationer.
- ◆ Undvik alla former av tomgångskörning, drift utan insatsverktyg eller drift utan matningstryck.

- ◆ Trycket (start- och stoppanordningen) får inte aktiveras då maskinen saknar matningstryck.
- ◆ Kontrollera regelbundet att maskinen är välsmord.

När du tar rast

- ◆ Vid rast skall maskinen placeras så att den inte startas av misstag. Placera maskinen säkert på marken så att den inte kan falla omkull.
- ◆ Vid längre raster eller om du lämnar arbetsplatsen: Stäng av strömförsörjningen och lufta sedan maskinen genom att aktivera start- och stoppanordningen.

Underhåll

Regelbundet underhåll är en förutsättning för att maskinen ska fortsätta vara säker och effektiv att använda. Följ underhållsinstruktionerna noggrant.

- ◆ Rengör maskinen före underhållsarbeten för att undvika att utsättas för skadliga ämnen. Se "Faror med damm och ångor"
- ◆ Använd endast originaldelar. Eventuella skador eller fel som uppstår genom användning av ej godkända delar täcks inte av garantin eller tillverkarens produktansvar.
- ◆ Följ gällande föreskrifter för hälsa och säkerhet och söj för god ventilation vid rengöring av mekaniska delar med lösningsmedel.
- ◆ Kontakta din närmaste auktoriserade verkstad för mer omfattande service av maskinen.
- ◆ Kontrollera att maskinens vibrationsnivå är normal efter varje servicetillfälle. Vid onormal vibrationsnivå kontakta din närmaste auktoriserade verkstad.

Dagligen

Stäng av maskinen innan underhåll eller byte av insatsverktyg görs och avlufta maskinen genom att trycka in start- och stoppanordningen. Ta därefter loss luftslangen från maskinen.

- ◆ Rengör och kontrollera maskinen och dess funktioner dagligen innan arbetet börjar.
- ◆ Kontrollera att verktyghållaren fungerar som den ska och inte är slitna.
- ◆ Genomför en allmän inspektion för att identifiera eventuella läckor eller skador.

- ◆ Kontrollera att luftnippeln är åtdragen och att klokopplingen är oskadad.
- ◆ Kontrollera alltid följande för att maskinen ska bibehålla de angivna vibrationsvärdena:
Alltför stort spelrum mellan insatsverktygets nacke och mejselbussningen ger upphov till ökade vibrationer. Kontrollera slitaget på mejselbussningen dagligen för att undvika onödiga vibrationer.
- ◆ Om maskinen har vibrationsdämpande handtag, kontrollera att detta/dessa rör sig fritt (upp och ner) och inte fastnar.
- ◆ Byt omedelbart ut skadade delar.
- ◆ Byt ut slitna delar i god tid.
- ◆ Se till att all ansluten utrustning och kringutrustning såsom slangar, vattenavskiljare och smörjapparat underhålls ordentligt.

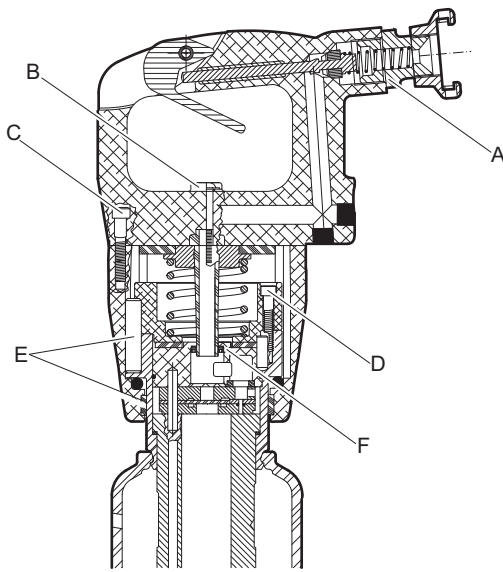
Regelbundet underhåll

Ta isär maskinen och rengör och kontrollera alla delar efter varje användningsperiod om ungefär 100 arbetstimmar eller tre gånger om året. Detta arbete ska utföras av behörig personal som är utbildad för denna uppgift.

För att maskinen ska fortsätta fungera optimalt får delarna i tabellen nedan inte vara mer slitna än de mått som anges. Observera att TEX 07PE inte har luftkuddedämpning för kolven. Det innebär att dämpningsförmågan inte kan användas för att fastställa slitaget på kolven och cylindern.

Del	Max. innerdiameter (mm)	Min. ytterdiameter (mm)
Cylinder	28,63	-
Kolv	-	28,50

Monteringsinstruktioner



- A. Åtdragningsmoment: 88–95 Nm, använd Loctite® 243™ (Loctite är ett registrerat varumärke som ägs av Henkel Corporation, 243 är ett varumärke som ägs av Henkel Corporation.)
- B. Åtdragningsmoment: 15–17 Nm, UNF 1/4" x 44 (1-3/4")
- C. Åtdragningsmoment: 15–17 Nm, UNC 1/4" x 32 (1-1/4")
- D. Åtdragningsmoment: 17 Nm, använd Loctite® 243™, M6 x 40 - 12.9
- E. Smörj inte stödrullar, slitringen eller motsvarande kontaktytor.
- F. Ta bort O-ringen från tätningen före montage. O-ringen är bara ett stöd för att se till att tätningen behåller rätt form tills den monteras.

Felsökning

Om tryckluftsmaskinen inte startar, har låg effekt eller går ojämnt ska följande kontrolleras:

- ◆ Kontrollera att det insatsverktyg som används har rätt dimension på nacken.
- ◆ Kontrollera att tryckluftsmaskinen får rätt mängd smörjmedel. Användning av för mycket smörjmedel kan medföra startproblem, låg effekt eller att maskinen går ojämnt.
- ◆ Kontrollera att tryckluftssystemet förser maskinen med tillräckligt lufttryck för att uppnå full effekt.
- ◆ Kontrollera att luftslangens diameter och längd följer rekommendationerna. Se "Installation".

- ◆ Vid risk för frysning, kontrollera att maskinens utloppsportar inte är blockerade.
- ◆ Om maskinen fortfarande inte fungerar tillfredsställande, kontakta en auktoriserad serviceverkstad.

Förvaring

- Rengör maskinen noga innan den läggs i förvaring för att undvika skadliga ämnen. Se "Faror med damm och ångor"
- Häll cirka 1/2 oz (5 cl) olja direkt i luftnippeln, anslut maskinen till tryckluftsförsörjningen och kör den några sekunder.
- Förvara alltid maskinen på en torr plats.

Kassering

En uttjänt maskin skall hanteras och kasseras på ett sådant sätt att största möjliga del av materialet kan återvinnas. All form av negativ inverkan på miljön skall i möjligaste mån undvikas och lokala begränsningar respekteras.

Tekniska specifikationer

Maskindata

Typ	Nacke mm	Vikt kg	Längd mm	Slagfrekvens Hz	Luftförbrukning l/s
TEX 07PE	H19 x 50	8,7	525	29,5	17
TEX 07PE, med fronthandtag	H19 x 50	9,0	525	29,5	17

Buller- och vibrationsdeklaration

Garanterad ljudeffektnivå **L_w** enligt EN ISO 3744 i enlighet med direktiv 2000/14/EG.

Ljudtrycksnivå **L_p** enligt EN ISO 11203.

Vibrationsvärde **A** och osäkerhet **B** fastställt enligt EN ISO 20643. Se tabellen "Buller- och vibrationsdata" för värden på A, B etc.

Dessa deklarerade värdena har erhållits genom laborietester i enlighet med nämnda direktiv eller standarder och är lämpliga att jämföra med deklarerade värden för andra verktyg som testats i enlighet med samma direktiv eller standarder. Dessa deklarerade värden är inte lämpliga att använda vid riskbedömningar. Värden som uppmäts på enskilda arbetsplatser kan vara högre. De faktiska exponeringsvärdena och de skaderisker som en enskild användare utsätts för är unika och beror på personens arbetssätt, i vilket material maskinen används, användarens exponeringstid och fysiska kondition samt maskinens skick.

Atlas Copco Construction Tools AB kan inte hållas ansvarigt för konsekvenserna av att de deklarerade värdena används, istället för värden som återspeglar den faktiska exponeringen vid en enskild riskbedömning i en arbetsplatssituation över vilken Atlas Copco Construction Tools AB inte har någon kontroll.

Det här verktyget kan orsaka hand-/armvibrationssyndrom om det inte används på rätt sätt. En EU-guide som tar upp frågor om hand-/armvibrationer finns tillgänglig på <http://www.humanvibration.com/humanvibration/EU/VIBGUIDE.html>

Vi rekommenderar någon form av hälsoövervakningsprogram för att upptäcka tidiga symptom som kan hänföras till exponering för vibrationer, så att åtgärder kan vidtas för att förebygga framtida försämring.

Ytterligare vibrationsinformation

Denna information är avsedd att tjäna som en hjälp vid grov uppskattningar av vibrationsvärdet på arbetsplatsen.

Vibrationerna varierar kraftigt beroende på arbetsuppgift och användarens teknik. Det deklarerade vibrationsvärdet avser det huvudsakliga handtaget/handtagen. Väsentligt mycket högre vibrationsvärden kan gälla om händerna placeras i andra positioner. Vi anser att normal avsedd användning av verktyget vanligtvis ger upphov till vibrationsemissioner inom intervallet C^{m/s^2} och E^{m/s^2} (totala vibrationsvärden, enligt definition i EN ISO 5349-1) beroende på arbetsuppgiften, men emissioner utanför detta intervall kan förekomma vid vissa användningar.

Värdet D^{m/s^2} och F^{m/s^2} är troligtvis ett användbart genomsnittligt emissionsvärde, till exempel, vid uppskattning av den sannolika genomsnittsexponeringen för användare som utför många olika arbetsuppgifter inom verktygets avsedda användningsområdet. Vi vill påpeka att användning av maskinen för en enstaka specialuppgift kan ge andra genomsnittsvibrationer och i sådana fall rekommenderar vi starkt en särskild utvärdering av vibrationerna.

Buller- och vibrationsdata

Typ	Buller		Vibrationer					
	Ljudtryck	Ljudeffekt	Värden i tre riktningar					
	Deklarerade värden		Deklarerade värden			Ytterligare vibrationsinformation		
	EN ISO 11203	2000/14/EG	EN ISO 20643			Betong	Tegel	
	Lp r=1m dB(A) rel 20µPa	Lw garanterat dB(A) rel 1pW	A m/s ² värde	B m/s ² spridning	C m/s ² intervall	D m/s ² genom snitt	E m/s ² intervall	F m/s ² genom snitt
TEX 07PE Med enbart D- handtag	87	104	12,4	1,7	9,0-11,9	10,5	7,9-10,0	9,0
TEX 07PE Med D- handtag och fronhandtag	87	104	10,5	1,5	7,5-11,2	9,6	9,6-12,2	10,6

EG-deklaration om överensstämmelse

EG-deklaration om överensstämmelse (EG-direktiv 2006/42/EG)

Vi, Atlas Copco Construction Tools AB, försäkrar härmed att nedanstående maskiner uppfyller bestämmelserna i EG-direktiv 2006/42/EG (Maskindirektivet) och 2000/14/EG (Bulldirektivet), samt nedanstående harmoniserade standarder.

Handhållna tryckluftsdrivna bilningshammare	Garanterad ljudeffektsnivå dB(A)	Uppmätt ljudeffektsnivå dB(A)	Maxtryck (bar)
TEX 07PE	104	98	7

Följande harmoniserade standarder tillämpades:

- ◆ EN ISO 11148-4

Följande övriga standarder tillämpades:

- ◆ Lloyds Register Quality Assurance, NoBo no.0088

Auktoriserad representant för teknisk dokumentation:

Per Forsberg
Atlas Copco Construction Tools AB
Dragonvägen 2
Kalmar

Vice vd Design and Development:

Erik Sigfridsson

Tillverkare:

Atlas Copco Construction Tools AB
105 23 Stockholm
Sweden

Ort och datum:

Kalmar, 2012-06-30

POLSKI

SPIS TREŚCI

Wprowadzenie.....	253
Uwaga dotycząca instrukcji bezpieczeństwa i obsługi.....	253
Instrukcja dotyczące bezpieczeństwa.....	254
Ostrzeżenia użyte w tekście.....	254
Środki ochrony osobistej i wymagane kwalifikacje.....	254
Środki ochrony osobistej.....	254
Środki odurzające, alkohol, leki.....	254
Instalacja, środki ostrożności.....	254
Eksploatacja, środki ostrożności.....	255
Konserwacja, środki ostrożności.....	260
Przechowywanie, środki ostrożności.....	260
Informacje ogólne.....	261
Konstrukcja i przeznaczenie.....	261
Dobór młota pneumatycznego do wykonywanego zadania.....	261
Budowa.....	261
Symbole.....	261
Tabliczka znamionowa.....	262
Naklejka poziomego hałasu.....	262
Nalepka bezpieczeństwa.....	262
Montaż.....	262
Węże i złącza.....	262
Metody zapobiegania zamarzaniu.....	262
Podłączanie separatora wody.....	263
Smarowanie.....	263
Narzędzie robocze.....	263
Dobór odpowiedniego narzędzia roboczego.....	263
Przecinak.....	263
Szpicak.....	263
Przecinak szeroki.....	263
Montaż i demontaż narzędzia roboczego.....	264
Działanie.....	264
Uruchamianie i wyłączanie.....	264
Eksploatacja.....	264
Rozpoczynanie kucia.....	264
Kruszenie.....	265
Podczas przerwy.....	265
Konserwacja.....	265
Codziennie.....	265
Okresowa konserwacja.....	266
Instrukcja montażowa.....	266
Rozwiązywanie problemów.....	266
Przechowywanie.....	267
Utylizacja.....	267
Dane techniczne.....	268
Dane techniczne maszyny.....	268
Deklaracja dotycząca hałasu i wibracji.....	268
Dodatkowe informacje dotyczące drgań.....	268

Dane dotyczące hałasu i wibracji.....	269
Deklaracja zgodności WE.....	270
Deklaracja zgodności WE (Dyrektywa WE 2006/42/WE).....	270

Wprowadzenie

Dziękujemy za wybór produktu firmy Atlas Copco. Od 1873 r. staramy się znajdować nowe i coraz lepsze sposoby zaspokajania potrzeb naszych klientów. Zaprojektowaliśmy wiele nowatorskich i ergonomicznych konstrukcji, które pomagają klientom usprawniać i racjonalizować ich codzienną pracę.

Firma Atlas Copco dysponuje globalną siecią sprzedaży i serwisu, obejmującą centra obsługi klienta i dystrybutorów na całym świecie. Nasi eksperci to najwyższej klasy profesjonalści z bogatą wiedzą o produktach i praktyczną znajomością zastosowań. Dzięki naszemu wsparciu technicznemu klienci we wszystkich zakątkach świata mogą zawsze pracować z maksymalną wydajnością.

Więcej informacji na stronie: www.atlascopco.com

Atlas Copco Construction Tools AB

105 23 Stockholm

Sweden

Uwaga dotycząca instrukcji bezpieczeństwa i obsługi

Celem niniejszej instrukcji jest dostarczenie wiedzy o tym, jak korzystać z lekkiego młota pneumatycznego w sposób skuteczny i bezpieczny. Instrukcja zawiera również porady dotyczące regularnej konserwacji lekkiego młota pneumatycznego.

Przed pierwszym użyciem lekkiego młota pneumatycznego musisz dokładnie przeczytać niniejsze instrukcje i w pełni je zrozumieć.

Instrukcja dotyczące bezpieczeństwa

Aby zredukować ryzyko odniesienia poważnych obrażeń lub poniesienia śmierci przez Ciebie lub inne osoby, przed przystąpieniem do instalacji, obsługi, naprawy, konserwacji lub wymiany akcesoriów w maszynie, przeczytaj dokładnie i z pełnym zrozumieniem Instrukcje bezpieczeństwa i obsługi.

Wywieś instrukcje bezpieczeństwa i obsługi w miejscach pracy, rozdaj ich kopie pracownikom i dopilnuj, aby każdy z nich je przeczytał przed rozpoczęciem obsługi lub serwisowania maszyny.

Dodatkowo, operator lub pracodawca operatora powinien dokonać oceny specyficznych zagrożeń mogących występować przy poszczególnych zastosowaniach maszyny.

Ostrzeżenia użyte w tekście

Ostrzeżenia użyte w tekście: Niebezpieczeństwo, Ostrzeżenie i Uwaga mają następujące znaczenia:

NIEBEZPIECZEŃSTWO	Wskazuje na niebezpieczną sytuację, której należy unikać, gdyż w przeciwnym razie stanie się ona przyczyną śmierci lub poważnych obrażeń.
OSTRZEŻENIE	Wskazuje na niebezpieczną sytuację, której należy unikać, gdyż w przeciwnym razie może stać się przyczyną śmierci lub poważnych obrażeń.
PRZESTROGA	Wskazuje na niebezpieczną sytuację, której należy unikać, gdyż w przeciwnym razie może stać się przyczyną lżejszych lub średnich obrażeń.

Środki ochrony osobistej i wymagane kwalifikacje

Obsługę i konserwację urządzenia wolno powierzać tylko osobom posiadającym odpowiednie kwalifikacje i przeszkolenie. Muszą one być fizycznie w stanie dać sobie radę z wielkością, masą i mocą urządzenia. Kieruj się zawsze zdrowym rozsądkiem popartym prawidłową oceną sytuacji.

Środki ochrony osobistej

Zawsze używaj odpowiednich środków ochrony osobistej. Operatorzy oraz inne osoby przebywające w obszarze roboczym muszą nosić środki ochronny osobistej, które obejmują co najmniej:

- Hełm ochronny
- Ochronniki słuchu
- Przeciwodpryskowe okulary ochronne z zabezpieczeniem bocznym
- Środki ochrony dróg oddechowych w stosownych przypadkach
- Rękawice ochronne
- Odpowiednie obuwie ochronne
- Odpowiedni kombinezon roboczy lub podobną odzież (nie może być luźna) okrywającą ramiona i nogi.

Środki odurzające, alkohol, leki

▲ OSTRZEŻENIE Środki odurzające, alkohol, leki

Środki odurzające, alkohol i leki mogą mieć wpływ na zdolność oceny sytuacji i koncentrację. Spowolniona reakcja i niewłaściwa ocena sytuacji mogą prowadzić do poważnych obrażeń, a nawet śmierci.

- ▶ Nie używaj nigdy urządzenia będąc w stanie zmęczenia lub pod wpływem środków odurzających, alkoholu lub leków.
- ▶ Nikt będący pod wpływem środków odurzających, alkoholu lub leków nie ma prawa obsługiwać urządzenia.

Instalacja, środki ostrożności

▲ NIEBEZPIECZEŃSTWO Luźny wąż pneumatyczny pod ciśnieniem

Odłączenie się będącego pod ciśnieniem węża pneumatycznego grozi obrażeniami a nawet śmiercią. Aby zmniejszyć ryzyko przestrzegaj następujących zasad:

- ▶ Sprawdź czy wąż pneumatyczny i jego złącza nie są uszkodzone, a w razie potrzeby wymień.
- ▶ Sprawdź czy wszystkie złącza sprężonego powietrza są prawidłowo podłączone.
- ▶ Nigdy nie noś maszyny pneumatycznej za wąż pneumatyczny.
- ▶ Nigdy nie próbuj odłączać węża pneumatycznego będącego pod ciśnieniem. Najpierw wyłącz dopływ sprężonego powietrza w sprężarce, a następnie spuść ciśnienie z maszyny uruchamiając ją włącznikiem.

- ▶ Nie używaj złączy, które mogą się same rozłączyć. Używaj gwintowanych złączy węży wykonanych z hartowanej stali (lub materiału o podobnej odporności na obciążenia dynamiczne).
- ▶ W przypadku użycia złączy kłowych zalecamy zastosowanie sworzni zabezpieczających i linek bezpieczeństwa, jako zabezpieczenia na wypadek odłączenia się przewodu od narzędzia lub rozłączenia się złączy między przewodami.

▲ NIEBEZPIECZEŃSTWO Powietrze pod ciśnieniem

Powietrze pod wysokim ciśnieniem uderzające w skórę może spowodować jej przebicie i wywołać poważne obrażenia ciała lub śmierć.

- ▶ Zawsze należy odcinać dopływ powietrza, opróżniać przewód giętki z powietrza i odłączać maszynę od zasilania powietrzem, kiedy nie jest użytkowana, przed wymianą osprzętu lub przeprowadzeniem naprawy.
- ▶ Nigdy nie kierować przewodu giętkiego sprężonego powietrza na siebie ani inne osoby. Aby uniknąć ryzyka obrażeń ciała, nigdy nie używać sprężonego powietrza np. do zdmuchiwania pyłu, zabrudzeń etc. z odzieży.

▲ OSTRZEŻENIE Wyrzucenie narzędzia roboczego

Jeśli blokada narzędzia w maszynie nie znajduje się w położeniu „zablokowane”, założone narzędzie może zostać wyrzucone z dużą siłą i spowodować poważne obrażenia ciała.

- ▶ Nigdy nie uruchamiaj maszyny podczas wymiany narzędzia roboczego.
- ▶ Przed wymianą narzędzia roboczego lub akcesoriów zatrzymaj maszynę, wyłącz sprężarkę powietrza i spuść nadciśnienie z maszyny uruchamiając ją włącznikiem.
- ▶ Nigdy nie kieruj zamontowanego narzędzia roboczego na siebie ani na kogokolwiek innego.
- ▶ Przed uruchomieniem maszyny sprawdź, czy narzędzie robocze jest całkowicie wsunięte i zablokowane.
- ▶ Sprawdź działanie blokady pociągając narzędzie robocze silnie do zewnątrz.

▲ OSTRZEŻENIE Przenoszenie/Wypadanie narzędzia roboczego

Nieprawidłowe wymiary uchwytu narzędzia roboczego mogą spowodować wypadnięcie lub wyślizgnięcie się narzędzia podczas pracy. Ryzyko poważnych obrażeń lub zmiążdżenia dłoni i palców.

- ▶ Przed zamontowaniem narzędzia roboczego w urządzeniu sprawdź, czy długość i wymiary jego uchwytu są odpowiednie dla tego urządzenia.
- ▶ Nigdy nie używaj narzędzia roboczego bez kołnierza.

Eksplatacja, środki ostrożności

▲ NIEBEZPIECZEŃSTWO Niebezpieczeństwo eksplozji

W razie kontaktu narzędzia roboczego z materiałami wybuchowymi lub gazami o właściwościach wybuchowych może nastąpić eksplozja. Przy pracy z pewnego rodzaju materiałami i stosowaniu pewnych materiałów w częściach maszyny może wystąpić iskrzenie i zapłon. Eksplozja prowadzi do ciężkich obrażeń a nawet śmierci.

- ▶ Nigdy nie używaj maszyny w miejscach zagrożonych wybuchem.
- ▶ Nigdy nie używaj maszyny w pobliżu łatwopalnych materiałów, oparów ani pyłów.
- ▶ Sprawdź, czy w miejscu pracy nie ma nie wykrytych źródeł gazu lub materiałów wybuchowych.

▲ OSTRZEŻENIE Niespodziewane ruchy

Założone narzędzie robocze jest w trakcie pracy maszyny narażone na bardzo duże naprężenia. Narzędzie robocze może po pewnym okresie użytkowania ulec złamaniu na skutek zmęczenia materiału. W momencie złamania lub zakleszczenia narzędzia roboczego może dojść do nagłego i niespodziewanego szarpnięcia, które może spowodować obrażenia. Przyczyną obrażeń może być również utrata równowagi lub poślizgnięcie się.

- ▶ Utrzymuj zawsze stabilną pozycję, rozstawiając stopy na szerokość ramion i zachowując równowagę ciała.
- ▶ Przed każdym użyciem maszyny sprawdź jej stan techniczny. Nigdy nie używaj maszyny wobec której istnieje podejrzenie, że może być uszkodzona.
- ▶ Uchwytów muszą być zawsze czyste oraz wolne od smaru i oleju.
- ▶ Trzymaj stopy z daleka od założonego narzędzia roboczego.

- ▶ Stojąc pewnie na podłożu zawsze trzymaj maszynę obiema rękami.
- ▶ Nigdy nie uruchamiaj maszyny leżącej na ziemi.
- ▶ Nie „dosiadaj” maszyny z jedną nogą przerzuconą nad uchwytem.
- ▶ Nie uderzaj sprzętu, ani nie używaj go niezgodnie z przeznaczeniem.
- ▶ Regularnie kontroluj stopień zużycia narzędzia roboczego i sprawdzaj, czy nie ma ono oznak uszkodzenia lub widocznych pęknięć.
- ▶ Uważaj i patrz na to co robisz.

▲ OSTRZEŻENIE Zagrożenie spowodowane kurzem oraz dymem

Kurz oraz/lub dym powstający lub rozprowadzany w trakcie pracy urządzenia może spowodować poważne i ciągłe choroby układu oddechowego (np. krzemicę lub inne nieodwracalne, śmiertelne choroby płuc, oraz nowotwory, wady wrodzone płodu oraz/lub podrażnienia skóry).

Niektóre rodzaje kurzu oraz dymu powstające podczas wiercenia, łamania, kucia, cięcia, szlifowania oraz innych operacji roboczych, zawierają substancje uznawane na terenie stanu Kalifornia oraz przez inne urzędy za powodujące choroby układu oddechowego, nowotwory, wady wrodzone płodu i uszkodzenia układu rozrodczego. Do substancji tych należą:

- Krzem krystaliczny, cement i inne składniki betonu.
- Arsen i chrom wchodzący w skład chemicznie obrabianej gumy.
- Ołów wchodzący w skład farb zawierających ten pierwiastek.

Kurz oraz dym znajdujące się w powietrzu mogą być niewidoczne gołym okiem, dlatego oceniając obecność kurzu oraz dymu, nie należy kierować się wrażeniem wzrokowym.

W celu zmniejszenia zagrożenia powodowanego przez kurz i dym, zastosuj się do następujących zaleceń:

- ▶ Oceń ryzyko występujące w danym miejscu pracy. Ocena ryzyka powinna uwzględniać obecność kurzu i dymu powstałego w wyniku pracy maszyny oraz wzbijanego w powietrze.
- ▶ Stosuj odpowiednie środki techniczne w celu zmniejszenia ilości kurzu i dymu w powietrzu oraz w celu zmniejszenia jego nagromadzenia się na wyposażeniu roboczym, powierzchniach, ubraniu oraz częściach ciała. Tego rodzaju środkami technicznymi są: systemy kontroli powietrza wylotowego oraz systemy gromadzenia pyłu, zraszacze wodne oraz wiercenie na mokro. W miarę możliwości kontroluj emisję kurzu i dymu w miejscu jego powstawania. Upewnij się, że zastosowane środki techniczne są odpowiednio zainstalowane, konserwowane i prawidłowo wykorzystane.
- ▶ Stosuj odpowiednio utrzymane maski przeciwpyłowe zgodnie z instrukcjami dostarczonymi przez pracodawcę oraz zgodnie z przepisami dotyczącymi bezpieczeństwa i higieny pracy. Maski przeciwpyłowe musi być odpowiednio dobrana do specyfiki danego zadania roboczego oraz obrabianego materiału (w odpowiednich przypadkach wyposażenie takie musi posiadać odpowiednie atesty wydawane przez organizacje rządowe).

- ▶ Zapewnij odpowiednią wentylację miejsca roboczego.
 - ▶ W przypadku wyposażenia maszyny w system wylotowy, skieruj strumień powietrza wylotowego tak, aby zminimalizować efekty wzbijania kurzu w środowisku o znacznym zapyleniu.
 - ▶ Obsługę i konserwację maszyny przeprowadzaj zgodnie z zaleceniami zamieszczonymi w instrukcji obsługi i bezpieczeństwa.
 - ▶ Dobór, obsługę i wymianę środków eksploatacyjnych/narzędzi/innych akcesoriów przeprowadzaj zgodnie z zaleceniami w instrukcji bezpiecznej eksploatacji. Nieprawidłowy dobór lub zaniechanie czynności obsługowych dotyczących środków eksploatacyjnych/narzędzi/innych akcesoriów może spowodować nadmierny wzrost ilości kurzu i dymu.
 - ▶ W miejscu przeprowadzania prac stosuj ubranie zabezpieczające umożliwiające zmycie lub utylizację, przed opuszczeniem miejsca pracy weź prysznic i zmień ubranie na czyste w celu zmniejszenia narażenia siebie oraz innych osób na działanie kurzu i dymu.
 - ▶ Unikaj jedzenia, picia oraz palenia wyrobów tytoniowych w miejscach o znacznym zadymieniu lub zapyleniu.
 - ▶ Po opuszczeniu miejsca przeprowadzania prac dokładnie umyj ręce i twarz, szczególnie przed posiłkiem, pić napojów, paleniem wyrobów tytoniowych oraz kontaktem z innymi osobami.
 - ▶ Przestrzegaj wszystkich odpowiednich przepisów, także przepisów dotyczących bezpieczeństwa i higieny pracy.
 - ▶ Uczestnicz w programach kontroli jakości powietrza, poddawaj się okresowym, lekarskim badaniom kontrolnym oraz bierz udział w programach szkoleniowych, zapewnianych przez producenta i organizacje handlowe oraz wymaganych przez przepisy prawne dotyczące bezpieczeństwa i higieny pracy. Przeprowadzaj konsultacje z lekarzem medycyny pracy.
 - ▶ Współpracuj z pracodawcą oraz organizacjami handlowymi w celu zmniejszenia ekspozycji na kurz i dym w miejscu roboczym w celu zmniejszenia poziomu ryzyka. Bazując na zaleceniach specjalistów w dziedzinie ochrony zdrowia i bezpieczeństwa pracy, ustal i wprowadź wydajne programy dotyczące bezpieczeństwa i higieny pracy oraz ochrony zdrowia, zasady i przepisy ochrony pracowników oraz innych osób przed szkodliwym wpływem kurzu i dymu. Przeprowadź konsultacje ze specjalistą.
 - ▶ Śladowe ilości szkodliwych substancji na maszynie także mogą stanowić zagrożenie. Przed przeprowadzeniem jakichkolwiek czynności obsługowych dokładnie oczyść maszynę.
- ▲ OSTRZEŻENIE Odpryski**
- Pęknięcie obrabianego materiału, osprzętu, a nawet samej maszyny, może spowodować wyrzucenie poruszających się z dużą prędkością odłamków. Podczas pracy maszyny, poruszające się niekiedy z dużą prędkością odłamki lub odpryski z obrabianego materiału mogą uderzyć operatora lub inne osoby, powodując poważne obrażenia ciała. Aby zmniejszyć ryzyko przestrzegaj następujących zasad:
- ▶ Używaj posiadających odpowiednie atesty środków ochrony osobistej, między innymi hełmu ochronnego i przeciwodpryskowych okularów ochronnych z osłoną boczną.
 - ▶ Dopilnuj aby w strefie roboczej nie znajdowały się żadne osoby nieupoważnione.
 - ▶ Utrzymuj miejsce pracy wolne od wszelkich obcych przedmiotów.
 - ▶ Dopilnuj, aby obrabiany kawałek materiału był dobrze zabezpieczony na miejscu.
- ▲ OSTRZEŻENIE Niebezpieczeństwa związane z odpryskami**
- Używanie narzędzia roboczego jako ręcznego dłuta może spowodować odpryski mogące trafić operatora i spowodować obrażenia.
- ▶ Nigdy nie używaj narzędzia roboczego jako dłuta ręcznego. Narzędzia robocze są skonstruowane i poddawane obróbce termicznej specjalnie do użytku tylko w maszynie.
- ▲ OSTRZEŻENIE Ryzyka związane z poślizgnięciem się, potknięciem lub przewróceniem**
- Istnieje ryzyko poślizgnięcia się, potknięcia lub przewrócenia, np. potknięcia się o węże lub inne przedmioty. Poślizgnięcie się, potknięcie lub przewrócenie może spowodować obrażenia. Aby zmniejszyć ryzyko przestrzegaj następujących zasad:
- ▶ Dopilnuj zawsze, aby żaden wąż ani inny przedmiot nie zawadzał ani tobie ani nikomu innemu.
 - ▶ Utrzymuj zawsze stabilną pozycję, rozstawiając stopy na szerokość ramion i zachowując równowagę ciała.

▲ OSTRZEŻENIE Niebezpieczeństwa związane z poruszaniem się

Przy używaniu maszyny do zadań związanych z pracą można odczuwać niewygodę w dłoniach, ramionach, barkach, karku i innych częściach ciała.

- ▶ Utrzymuj zawsze wygodną pozycję zachowując jednocześnie bezpieczne położenie stóp i unikając niezręcznych, nie zapewniających równowagi pozycji.
- ▶ Zmiana pozycji przy wykonywaniu długotrwałych zadań może pomóc w uniknięciu niewygody i zmęczenia.
- ▶ W przypadku nieustających lub powracających objawów skonsultuj się z posiadającym odpowiednie kwalifikacje pracownikiem służb medycznych.

▲ OSTRZEŻENIE Zagrożenie spowodowane przez drgania

Normalna i właściwa eksploatacja urządzenia wiąże się z wystawieniem operatora na działanie drgań. Regularne i częsta ekspozycja na wibracje może spowodować, przyczynić się lub powiększyć obrażenia lub uszkodzenia palców, dłoni, rąk, przegubów dłoni, przedramion, ramion oraz/lub układu nerwowego i krwionośnego tych i innych części ciała, włącznie z osłabieniem lub/oraz trwałym obrażeniem lub uszkodzeniem, narastającym w przeciągu kolejnych tygodni, miesięcy lub lat. Takie obrażenia lub uszkodzenia mogą oznaczać także uszkodzenia układu krwionośnego, nerwowego, uszkodzenia stawów oraz możliwe uszkodzenia innych organów.

W przypadku pojawienia się odrętwienia, nawrotów uczucia dyskomfortu, pieczenia, zeszywnienia, mrowienia, bólu, odrętwienia, osłabienia uchwytu, białego koloru skóry lub innych objawów w trakcie obsługi maszyny lub w dowolnym innym momencie, należy zatrzymać maszynę, poinformować pracodawcę i zgłosić się po pomoc medyczną. Dalsza eksploatacja maszyny po wystąpieniu tego rodzaju objawów może zwiększyć ryzyko pogłębienia się objawów lub ich utrwalenia.

Eksploatację i konserwację maszyny przeprowadzaj zgodnie z zaleceniami tej instrukcji w celu uniknięcia niepotrzebnego zwiększenia poziomu drgań.

Poniższe zalecenia mogą być pomocne w zmniejszeniu narażenia operatora na oddziaływanie drgań:

- ▶ Zapewnij prawidłowe obciążenie narzędzia. Dobierz minimalną powierzchnię uchwytu dłoni, zapewniającą jednocześnie pełną kontrolę nad narzędziem i bezpieczną obsługę.
- ▶ W przypadku wyposażenia maszyny w uchwyty pochłaniające wibracje, utrzymuj je w położeniu środkowym, unikając ich kontaktu z ogranicznikami.
- ▶ Po uruchomieniu mechanizmu udarowego, kontakt z urządzeniem powinien być ograniczony do dłoni umieszczonych na uchwytach. Unikaj zetknięcia się innych części ciała z urządzeniem, na przykład opierania się na urządzeniu lub dociskania go, w celu zwiększenia siły nacisku. Istotnym jest także wykorzystanie modułu rozruchowego w trakcie wyjmowania narzędzia z połamanego materiału.

- ▶ Upewnij się, że stosowane narzędzie jest w dobrym stanie (np. czy narzędzie tnące jest odpowiednio naostrzone), czy nie jest ono zużyte oraz czy zastosowano narzędzie odpowiedniej wielkości. Niewłaściwie utrzymane, zużyte lub nieprawidłowo dobrane narzędzia do szybkiego montażu wymagają dłuższego czasu wykonania danego zadania roboczego (i dłuższego czasu narażenia na drgania) oraz mogą powodować narażenie na działanie wyższego poziomu drgań.
- ▶ W przypadku stwierdzenia nagłego zwiększenia się poziomu drgań natychmiast przerwij pracę. Przed wznowieniem pracy odszukaj i usuń przyczynę zwiększenia poziomu drgań.
- ▶ Nigdy, w trakcie pracy maszyny, nie chwytaj, przytrzymuj ani nie dotykaj zamontowanego narzędzia.
- ▶ Poddawaj się okresowym, lekarskim badaniom kontrolnym oraz bierz udział w programach szkoleniowych, zapewnianych przez producenta oraz wymaganych przez przepisy prawne.
- ▶ W przypadku pracy przy niskich temperaturach zewnętrznych stosuj odpowiednie ubrania robocze oraz dołóż starań, aby dłonie były suche i ciepłe.
- ▶ Powietrze wylotowe jest znacznie schłodzone i nie powinno być skierowane w kierunku operatora. Zawsze kieruj strumień powietrza wylotowego w kierunku przeciwnym do rąk i ciała.

Zapoznaj się z treścią "Deklaracji dotyczącej emisji hałasu i drgań" dla maszyny oraz z deklarowanymi wartościami drgań. Informacje te znajdują się na końcu poniższe instrukcji bezpiecznej obsługi.

- ◆ Podczas pracy z urządzeniem przestrzegaj zalecanego ciśnienia powietrza. Zarówno wyższe jak i niższe ciśnienie powietrza może spowodować wzrost poziomu wibracji.

▲ NIEBEZPIECZEŃSTWO Niebezpieczeństwa związane z prądem elektrycznym

To urządzenie nie posiada izolacji elektrycznej. Kontakt urządzenia z prądem elektrycznym może stać się przyczyną poważnych obrażeń ciała, a nawet śmierci.

- ▶ Nigdy nie używaj urządzenia w pobliżu przewodów elektrycznych ani innych źródeł prądu.
- ▶ Sprawdź, czy w miejscu pracy nie ma ukrytych przewodów lub innych źródeł prądu.

▲ OSTRZEŻENIE Niebezpieczeństwa związane z ukrytymi obiektami

Podczas pracy urządzenia ukryte przewody i rury stanowią zagrożenie, mogące stać się przyczyną poważnych obrażeń ciała.

- ▶ Przed rozpoczęciem pracy sprawdź, czy w rozkuwanym materiale nie ma ukrytych obiektów.
- ▶ Uważaj na ukryte przewody i instalacje, np. elektryczne, telefoniczne, wodociągowe, gazowe, kanalizacyjne itp.
- ▶ Wyłącz natychmiast urządzenie jeśli jego narzędzie robocze uderzy w jakiś niewidoczny obiekt.
- ▶ Przed kontynuacją pracy upewnij się, że już nie ma zagrożenia.

▲ OSTRZEŻENIE Mimowolne uruchomienie

Mimowolne uruchomienie maszyny może się stać przyczyną obrażeń.

- ▶ Trzymaj ręce z dala od włącznika dopóki nie będziesz gotowy do rozpoczęcia pracy.
- ▶ Zapoznaj się ze sposobem awaryjnego wyłączenia maszyny.
- ▶ We wszystkich przypadkach odcięcia zasilania natychmiast puszczaaj włącznik.
- ▶ Przy zakładaniu lub wyjmowaniu narzędzia roboczego zawsze wyłącz dopływ sprężonego powietrza, usuń nadciśnienie z maszyny przyciskając włącznik i odłącz maszynę od źródła zasilania.

▲ OSTRZEŻENIE Niebezpieczeństwa związane z hałasem

Wysoki poziom hałasu może spowodować nieodwracalną upośledzającą degradację lub nawet utratę słuchu, a także inne problemy, jak na przykład szum uszny (dzwonienie, brzęczenie, świstanie lub buczenie w uszach). Aby zmniejszyć ryzyka i zapobiec niepotrzebnemu wzrostowi poziomu hałasu:

- ▶ Bardzo ważne jest przeprowadzenie oceny ryzyk związanych z tymi niebezpieczeństwami i wdrożenie odpowiednich procedur kontrolnych.
- ▶ Przy obsłudze i konserwacji maszyny postępuj zgodnie z tymi instrukcjami.
- ▶ Dobieraj, konserwuj i wymieniaj narzędzia robocze zgodnie z zaleceniami w tych instrukcjach.
- ▶ W przypadku maszyny wyposażonej w tłumik hałasu sprawdzaj, czy jest on na swoim miejscu i czy jest w dobrym stanie.
- ▶ Zawsze używaj ochronników słuchu.
- ▶ Używaj materiału tłumiącego, aby zapobiec „dzwonieniu” obrabianego materiału.

Konserwacja, środki ostrożności

▲ OSTRZEŻENIE Modyfikacje maszyny

Jakiegolwiek modyfikacje maszyny grożą obrażeniami operatora lub osób postronnych.

- ▶ Nigdy nie wprowadzaj żadnych modyfikacji do maszyny. Maszyny które zostały poddane modyfikacjom nie są objęte gwarancją ani odpowiedzialnością producenta za produkt.
- ▶ Używaj zawsze oryginalnych części zamiennych, narzędzi roboczych i akcesoriów eksploatacyjnych zatwierdzonych przez firmę Atlas Copco.
- ▶ Uszkodzone lub zużyte części wymieniaj bezzwłocznie na nowe.
- ▶ Zużyte części wymieniaj w odpowiednim czasie.

▲ PRZESTROGA Rozgrzane narzędzie robocze

W trakcie pracy końcówka narzędzia roboczego może się silnie nagrzać i wyostrzyć. Dotknięcie jej może spowodować oparzenia i rany cięte.

- ▶ Nigdy nie dotykaj rozgrzanego lub ostrego narzędzia roboczego.
- ▶ Przed przystąpieniem do prac konserwacyjnych odczekaj, aż narzędzie robocze ostygnie.

▲ OSTRZEŻENIE Niebezpieczeństwa związane z narzędziem roboczym

Nieumyślna aktywacja włącznika podczas konserwacji lub instalacji może w przypadku podłączonego źródła zasilania spowodować poważne obrażenia.

- ▶ Nigdy nie poddawaj maszyny oględzinom, nie czyść jej ani nie wymieniaj narzędzia roboczego przy podłączonym źródle zasilania.

Przechowywanie, środki ostrożności

- ◆ Przechowuj urządzenie i narzędzia w bezpiecznym miejscu, niedostępnym dla dzieci i zamkniętym na klucz.

Informacje ogólne

Aby ograniczyć ryzyko odniesienia przez operatora lub osoby trzecie poważnych obrażeń ciała, a nawet poniesienia śmierci, przed uruchomieniem urządzenia zapoznaj się z instrukcjami bezpieczeństwa zamieszczonymi na poprzednich stronach niniejszej instrukcji.

Konstrukcja i przeznaczenie

Instrukcje te obowiązują dla modelu TEX 07PE.

Model TEX 07PE jest wyposażony w uchwyt wibroizolacyjny i służy do lekkich prac wyburzeniowych i ogrodniczych. Maszyny te mogą być eksploatowane zarówno w pozycji poziomej, jak i pionowej. Wszelkie inne zastosowania są niedozwolone.

W celu wybrania prawidłowego narzędzia roboczego, zapoznaj się z treścią listy części zamiennych.

Dobór młota pneumatycznego do wykonywanego zadania

Bardzo istotne jest aby dobrać młot pneumatyczny o wielkości odpowiedniej do pracy jaka ma zostać wykonana.

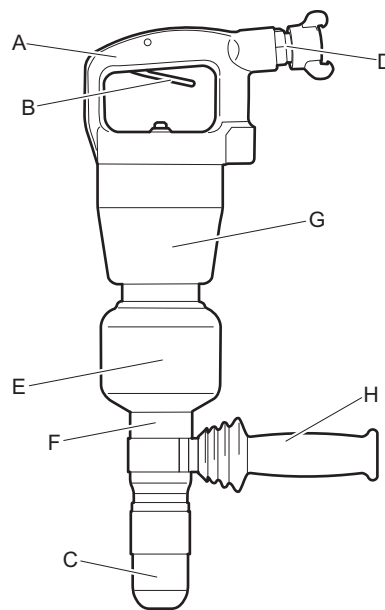
Jeśli młot pneumatyczny jest zbyt mały, praca będzie trwała dłużej.

Zbyt duży młot i praca wymagająca częstego przemieszczania się powodują niepotrzebne zmęczenie operatora.

Przy doborze odpowiedniej wielkości młota pneumatycznego należy się kierować prostą zasadą mówiącą, że kawałek rozbitego materiału normalnej wielkości powinien zostać usunięty z obrabianego miejsca w ciągu 5-10 sekund pracy.

- Jeśli usuwanie zajmuje mniej niż 5 sekund, należy wybrać mniejszy młot pneumatyczny.
- Jeśli usuwanie zajmuje więcej niż 10 sekund, należy wybrać większy młot pneumatyczny.

Budowa

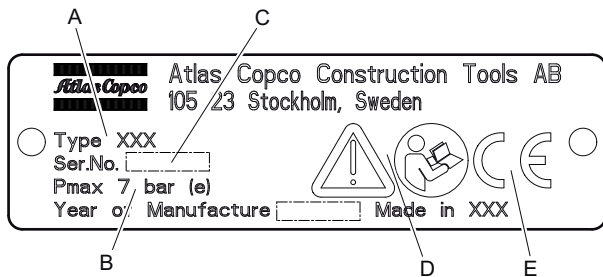


- A. Rękojeść
- B. Przycisk uruchomienia
- C. Blokada narzędzia
- D. Wlot powietrza
- E. Tłumik
- F. Siłownik
- G. Budowa domów
- H. Przedni uchwyt (opcja)

Symbole

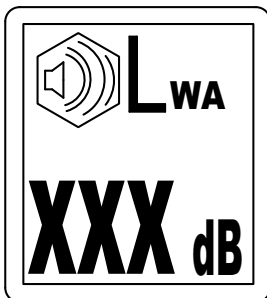
Maszyna wyposażona jest w naklejki zawierające ważne informacje dotyczące bezpieczeństwa ludzi i konserwacji maszyny. Naklejki muszą być czytelne. Nowe naklejki można zamówić, korzystając z listy części zamiennych.

Tabliczka znamionowa



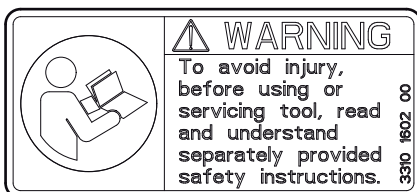
- A. Typ maszyny
- B. Maksymalne dopuszczalne ciśnienie sprężonego powietrza
- C. Numer seryjny
- D. Symbol ostrzeżenia połączony z symbolem książki oznacza, że przed pierwszym użyciem maszyny użytkownik musi przeczytać instrukcje bezpieczeństwa i obsługi.
- E. Symbol CE oznacza, że maszyna posiada świadectwo zgodności WE. Więcej informacji zawiera deklaracja WE dołączona do maszyny. Brak symbolu WE oznacza, że maszyna nie posiada świadectwa zgodności WE.

Naklejka poziomu hałasu



Ta naklejka wskazuje gwarantowany poziom hałasu zgodnie z Dyrektywą 2000/14/WE. W celu uzyskania dokładnych informacji o poziomie hałasu – patrz „Parametry techniczne”.

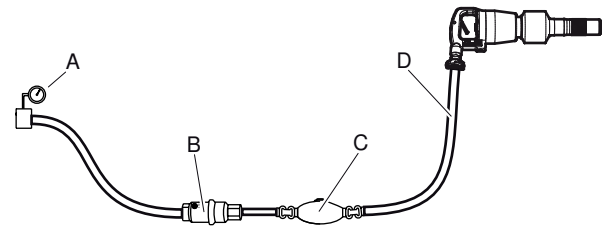
Nalepka bezpieczeństwa



Aby uniknąć obrażeń, przed użyciem narzędzia lub jego konserwacją przeczytaj ze zrozumieniem udostępnione osobno instrukcje bezpieczeństwa.

Montaż

Węże i złącza



- A. Źródło sprężonego powietrza
 - B. Separator wody (opcjonalnie)
 - C. Smarownica (opcjonalnie)
 - D. Maks. dopuszczalna długość węża pneumatycznego między smarownicą a maszyną wynosi 3 m (10 ft).
- ◆ Sprawdź, czy używasz ciśnienia odpowiadającego zalecanemu ciśnieniu robocznemu 6 bar (e) (87 psi).
 - ◆ Nie wolno przekraczać maksymalnego dopuszczalnego ciśnienia powietrza, które wynosi 7 bar (e) (102 psi).
 - ◆ Przed podłączeniem węża pneumatycznego do urządzenia wydmuchaj z niego wszystkie zanieczyszczenia.
 - ◆ Dobierz odpowiedni wymiar i długość węża pneumatycznego. Węże o długości do 30 m (100 ft) powinny mieć średnicę wewnętrzną równą przynajmniej 19 mm (3/4 in.). Węże o długości między 30 a 100 m (100 a 330 ft) powinny mieć średnicę wewnętrzną równą przynajmniej 25 mm (1 in.).

Metody zapobiegania zamarzaniu

Przy temperaturze otoczenia 0 do 10°C (32-50°F) i wysokiej wilgotności względnej powietrza w tłumiku może się tworzyć lód.

Urządzenie zawiera konstrukcyjne zabezpieczenia przed tworzeniem się lodu w tłumiku. Pomimo tego w ekstremalnych warunkach w tłumiku może tworzyć się lód.

Aby jeszcze bardziej zmniejszyć ryzyko tworzenia się lodu podejmij następujące kroki:

- ◆ Jako środka smarnego używaj Atlas Copco Breaker and hammer AIR-OIL. Breaker and hammer AIR-OIL przeciwdziała zamarzaniu.
- ◆ Używaj separatora wody.

Podłączanie separatora wody

Wąż pneumatyczny między sprężarką a separatorem wody musi być na tyle długi, aby para wodna ulegała schłodzeniu i skraplała się w węży jeszcze przed dostaniem się do separatora wody.

Przy temperaturach otoczenia poniżej 0°C (32°F) wąż pneumatyczny musi być na tyle krótki, aby woda nie dążyła zamarznąć przed dostaniem się do separatora wody.

Smarowanie

Środek smarny jest bardzo ważny dla funkcjonowania maszyny i ma duży wpływ na jej trwałość. Jeżeli maszyna nie ma wbudowanej smarownicy, to podłącz do węża pneumatycznego osobną smarownicę zewnętrzną. Zapewnienie dobrego smarowania wymaga, aby długość węża pneumatycznego między osobną smarownicą a maszyną pneumatyczną nie przekraczała 3 m.

Stosuj olej syntetyczny typu Atlas Copco Breaker and hammer AIR-OIL, lub olej mineralny o właściwościach odpowiadających zalecanym w poniższej tabeli.

Środek smarny	Zakres temperatur (°C)	Lepkość
Breaker and hammer AIR-OIL	-30 do +50	-
Olej mineralny/olej syntetyczny	+15 do +50	ISO VG 46-68
Olej mineralny/olej syntetyczny	-20 do +15	ISO VG 22-32

Narzędzie robocze

▲ PRZESTROGA Rozgrzane narzędzie robocze

W trakcie pracy końcówka narzędzia roboczego może się silnie nagrzać i wyostrić. Dotknięcie jej może spowodować oparzenia i rany cięte.

- ▶ Nigdy nie dotykaj rozgrzanego lub ostrego narzędzia roboczego.
- ▶ Przed przystąpieniem do prac konserwacyjnych odczekaj, aż narzędzie robocze ostygnie.

UWAGA Nigdy nie schładzaj narzędzia roboczego w wodzie, ponieważ mogłoby to uczynić je kruchym i wcześniej niezdatnym do użytku.

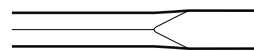
Dobór odpowiedniego narzędzia roboczego

Właściwy dobór narzędzia roboczego jest niezbędnym warunkiem prawidłowego działania urządzenia. Należy wybierać narzędzia robocze wysokiej jakości, aby uniknąć niepotrzebnego uszkodzenia urządzenia.

Używanie nieodpowiednich narzędzi roboczych grozi zniszczeniem urządzenia.

Zalecane narzędzia robocze wymienione są na liście części zamiennych urządzenia.

Przecinak



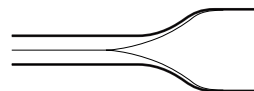
Wąskiego przecinaka używa się do cięcia i wyburzania betonu i innych twardych materiałów.

Szpicak



Szpicaka używa się wyłącznie do robienia otworów w betonie i innych twardych materiałach.

Przecinak szeroki

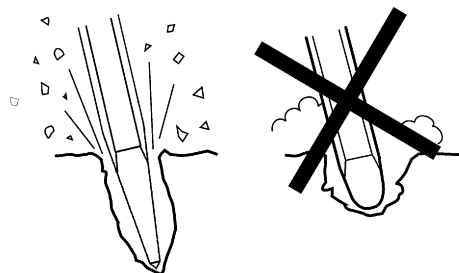


Przecinaka szerokiego używa się do materiałów miękkich, takich jak asfalt i zmrożona ziemia.

▲ OSTRZEŻENIE Zagrożenie związane z wibracjami

Stosowanie narzędzia które nie spełnia poniższych warunków, spowoduje wydłużenie czasu koniecznego na wykonie zadania i może narazić operatora na wyższy poziom ekspozycji na wibracje. Zużyte narzędzie spowoduje także wydłużenie czasu pracy.

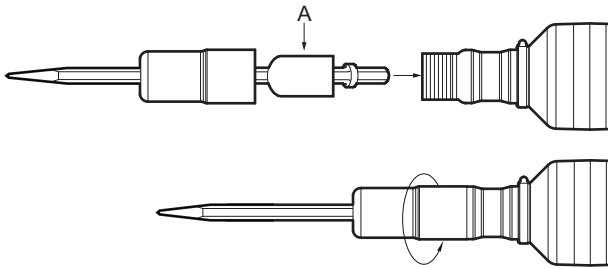
- ▶ Dopilnuj aby zamontowane narzędzie robocze było w dobrym stanie, nie było zużyte i miało odpowiedni rozmiar.
- ▶ Używaj zawsze ostrych narzędzi aby móc pracować wydajnie.



Montaż i demontaż narzędzia roboczego

Przy montażu i demontażu narzędzia roboczego należy zawsze przestrzegać następujących instrukcji:

- ◆ Aby zapobiec przypadkowemu uruchomieniu: wyłącz dopływ powietrza i odłącz urządzenie od źródła zasilania. Spuść ciśnienie z urządzenia przez przyciśnięcie wyłącznika.
- ◆ Przed zamontowaniem narzędzia roboczego nasmaruj jego uchwyt.



1. Załóż kołpak na sześciokątny korpus narzędzia roboczego.
2. Załóż tuleję (A) na uchwyt narzędzia roboczego.
3. Wsuń narzędzie robocze do cylindra i nakręć kołpak na cylinder do jego zablokowania.

1. Zamontuj/wymontuj narzędzie robocze.
2. Zamknij blokadę narzędzia (położenie A) i sprawdź jej działanie pociągając silnie za narzędzie.

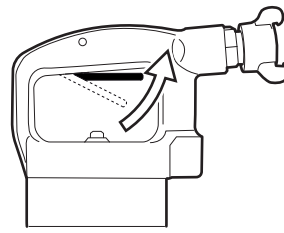
Działanie

▲ OSTRZEŻENIE Mimowolne uruchomienie

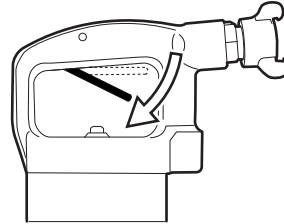
Mimowolne uruchomienie maszyny może się stać przyczyną obrażeń.

- ▶ Trzymaj ręce z dala od włącznika dopóki nie będziesz gotowy do rozpoczęcia pracy.
- ▶ Zapoznaj się ze sposobem awaryjnego wyłączenia maszyny.
- ▶ Zatrzymaj natychmiast maszynę w wszystkich przypadkach przerwy w zasilaniu.

Uruchamianie i wyłączenie



Uruchamiaj urządzenie pociągając za dźwignię jego uruchamiania, a jednocześnie trzymaj mocno uchwyt.

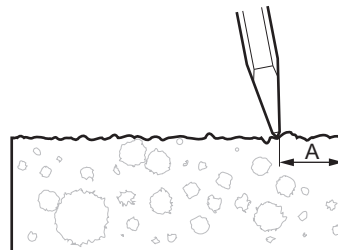


Wyłączaj urządzenie zwalnając dźwignię jego uruchamiania. Dźwignia uruchamiania powraca automatycznie do położenia „wyłączone”.

Eksploatacja

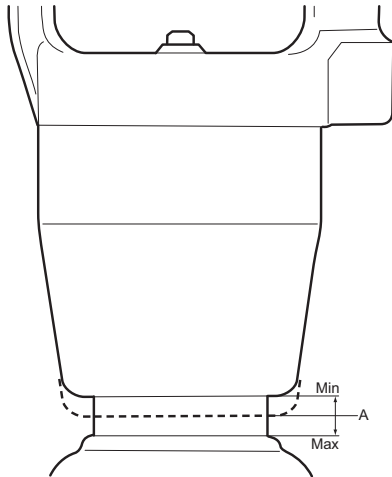
Rozpoczynanie kucia

- ◆ Stań w stabilnej pozycji, trzymając stopy w bezpiecznej odległości od narzędzia roboczego.
- ◆ Przed uruchomieniem maszyny dociśnij ją do obrabianej powierzchni.
- ◆ Rozpoczynaj kucie w takiej odległości od krawędzi, aby maszyna była w stanie rozbić materiał bez jego wyłamywania.
- ◆ Nigdy nie próbuj odkuwać zbyt dużych kawałków. Wybieraj odległość kucia (A) tak, aby narzędzie robocze nie uległo zakleszczeniu.



Kruszenie

- ◆ Pozwolić na pracę urządzenia pod jego własnym ciężarem, nie wywieraj zbyt dużego nacisku. Nie dociskać uchwytu absorbującego drgania całkowicie do podstawy.
- ◆ W przypadku urządzeń pneumatycznych wyposażonych w uchwyty absorbujące drgania siła docisku powinna być taka, aby uchwyt był wciśnięty do połowy. Położenie to powoduje najlepszą izolację od wibracji i najwyższą skuteczność kruszenia.



- ◆ Unikać kruszenia niezwykle twardych materiałów, na przykład granitu lub zbrojenia, ponieważ może to spowodować powstanie nadmiernych wibracji.
- ◆ Unikać pracy urządzenia bez obciążenia, bez narzędzia roboczego lub po jego podniesieniu.
- ◆ Po podniesieniu urządzenia, nie naciskać przycisku uruchamiającego.
- ◆ Regularnie sprawdzać, czy maszyna jest prawidłowo nasmarowana.

Podczas przerwy

- ◆ Na czas każdej przerwy odkładaj maszynę tak, aby nie było niebezpieczeństwa jej przypadkowego uruchomienia. Dopilnuj aby maszyna spoczywała na ziemi w sposób uniemożliwiający jej przewrócenie się.
- ◆ W przypadku dłuższej przerwy lub opuszczania miejsca pracy: Wyłącz dopływ sprężonego powietrza, a następnie spuść ciśnienie z maszyny uruchamiając ją włącznikiem.

Konserwacja

Regularna konserwacja to podstawowy warunek dalszego bezpiecznego i efektywnego korzystania z maszyny. Przestrzegaj dokładnie instrukcji konserwacji.

- ◆ Przed przystąpieniem do konserwacji maszyny oczyść ją, aby uniknąć ekspozycji na substancje niebezpieczne. Patrz „Niebezpieczeństwa związane z pyłem i oparami”.
- ◆ Używaj wyłącznie oryginalnych części zamiennych. Wszelkie uszkodzenia i zakłócenia w działaniu wynikające z użycia nie dopuszczonych części są wyłączone z gwarancji i odpowiedzialności za produkt.
- ◆ Podczas czyszczenia rozpuszczalnikiem części mechanicznych przestrzegaj stosownych przepisów BHP i zadбай odpowiednią wentylację.
- ◆ W celu przeprowadzenia przeglądu skontaktuj się z najbliższym autoryzowanym warsztatem.
- ◆ Po każdym przeglądzie sprawdzaj, czy poziom wibracji maszyny jest normalny. Jeżeli nie jest, to skontaktuj się z najbliższym autoryzowanym warsztatem.

Codziennie

Przed wykonaniem jakichkolwiek czynności konserwacyjnych lub wymianą narzędzia roboczego w maszynach pneumatycznych, zawsze wyłącz dopływ powietrza i spuść nadciśnienie z maszyny aktywując jej włącznik. Następnie odłącz wąż pneumatyczny od maszyny.

- ◆ Przed rozpoczęciem pracy oczyść codziennie maszynę i poddaj ją oględzinom, oraz sprawdź jej działanie.
- ◆ Sprawdź stopień zużycia i działanie blokady narzędzia.
- ◆ Poddaj ogólnym oględzinom pod kątem ewentualnych wycieków i uszkodzeń.
- ◆ Sprawdź, czy złącze doprowadzania powietrza jest dokręcone, a ewentualne złącze kłowe nie jest uszkodzone.
- ◆ Aby maszyna utrzymywała deklarowane wartości wibracji sprawdzaj zawsze następujące: Nadmierny luz między trzonkiem narzędzia roboczego a tuleją uchwytu narzędziowego powoduje nasilone wibracje. Aby uniknąć ekspozycji na nadmierne wibracje sprawdzaj codziennie, czy tuleja uchwytu narzędziowego nie jest zużyta.

- ◆ W wypadku maszyny wyposażonej jest w pochłaniający wibracje uchwyt(y) sprawdzaj, czy porusza się on swobodnie (w górę i w dół) nie zacinając się.
- ◆ Uszkodzone części wymieniaj bezzwłocznie na nowe.
- ◆ Zużyte części wymieniaj w odpowiednim czasie.
- ◆ Pilnuj, aby cały współpracujący z maszyną osprzęt, taki jak węże pneumatyczne, separatory wody i smarownice, poddawany był odpowiedniej konserwacji.

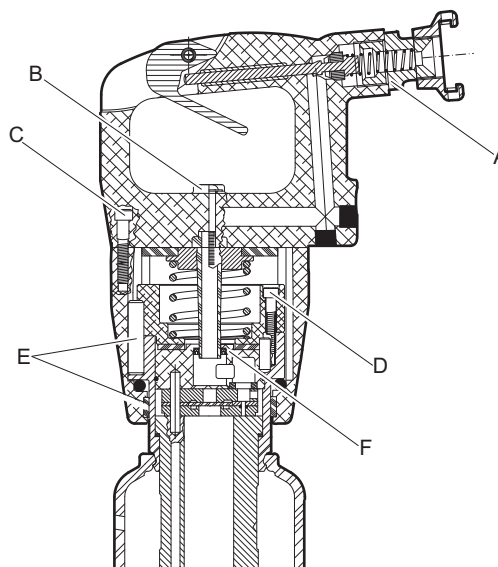
Okresowa konserwacja

Po każdych 100 godzinach użytkowania, lub trzy razy do roku, urządzenie musi zostać rozłożone na części, które należy następnie wyczyścić i poddać oględzinom. Praca ta musi być wykonywana przez autoryzowany personel, który posiada odpowiednie przeszkolenie.

W celu uzyskania wysokiej wydajności, elementy opisane w tabeli nie mogą być zużyte w stopniu większym niż określono wymiarami zamieszczonymi w tabeli. Zwrócić uwagę, że model TEX 07PE nie jest wyposażony w powietrzną poduszkę wibroizolacyjną. Oznacza to, że stopień tłumienia nie może być wykorzystany do ustalenia zużycia tłoka i cylindra.

Element	Maks. średn. wewn. (mm)	Min. średn. wewn. (mm)
Siłownik	28,63	-
Tłok	-	28,50

Instrukcja montażowa



- A. Moment dokręcania: 88-95 Nm, zastosować Loctite® 243™ (Loctite jest zastrzeżonym znakiem handlowym firmy Henkel Corporation. 243 jest zarejestrowanym znakiem handlowym firmy Henkel Corporation).
- B. Moment dokręcania: 15-17 Nm, UNF ¼" x 44 (1-¾")
- C. Moment dokręcania: 15-17 Nm, UNC ¼" x 32 (1-¼")
- D. Moment dokręcania: 17 Nm, zastosować Loctite® 243™, M6 x 40 - 12.9
- E. Nie smarować rolek wspornikowych, pierścienia eksploatacyjnego lub powierzchni mających z nim styczność.
- F. Przed rozpoczęciem montażu wyjmij o-ring z uszczelnienia. O-ring jest jedynie elementem oporowym, gwarantującym utrzymanie prawidłowego kształtu uszczelki w trakcie montażu.

Rozwiązywanie problemów

Jeśli maszyna pneumatyczna nie daje się uruchomić, ma zbyt niską moc lub pracuje nierównomiernie, to wykonaj następujące czynności:

- ◆ Sprawdź, czy trzonek używanego narzędzia roboczego ma prawidłowe wymiary.
- ◆ Sprawdź, czy maszyna pneumatyczna otrzymuje odpowiednią ilość środka smarnego. Nadmiar środka smarnego może powodować problemy z uruchamianiem, niską moc i nierównomierne działanie.
- ◆ Sprawdź, czy układ pneumatyczny dostarcza maszynie powietrze pod ciśnieniem wystarczającym do zapewnienia jej działania z pełną mocą.
- ◆ Sprawdź, czy wąż pneumatyczny spełnia zalecenia pod względem wymiaru i długości. Patrz „Instalacja”.
- ◆ W wypadku istnienia ryzyka zamarzania sprawdź, czy otwory wydechowe maszyny nie są zablokowane.
- ◆ Jeśli maszyna mimo przeprowadzenia powyższej procedury nadal nie działa w sposób zadowalający, skontaktuj się z autoryzowanym serwisem Atlas Copco.

Przechowywanie

- Aby uniknąć niebezpiecznych substancji czyść maszynę dokładnie przed jej odstawieniem na przechowanie. Patrz „Niebezpieczeństwa związane z pyłem i oparami”
- Wlej około ½ oz (5 cl) oleju bezpośrednio do złącza wlotu powietrza, podłącz maszynę do źródła sprężonego powietrza i uruchom na kilka sekund.
- Zawsze przechowuj maszynę w suchym miejscu.

Utylizacja

Zużyta maszynę należy oddać do kasacji postępując z nią przy tym w sposób, który pozwoli na odzyskanie z niej jak największej części surowców wtórnych przy jednoczesnej minimalizacji ujemnego wpływu na środowisko.

Dane techniczne

Dane techniczne maszyny

Typ	Rozmiar trzpienia mm	Masa kg	Długość mm	Częstotliwość udaru Hz	Zużycie powietrza l/s
TEX 07PE	H19 x 50	8,7	525	29,5	17
TEX 07PE, z uchwytem z przodu	H19 x 50	9,0	525	29,5	17

Deklaracja dotycząca hałasu i wibracji

Gwarantowany poziom mocy akustycznej **L_w** wg EN ISO 3744 zgodnie z dyrektywą 2000/14/WE.

Poziom ciśnienia akustycznego **L_p** wg EN ISO 11203.

Wartość wibracji **A** i niepewność **B** określona wg EN ISO 20643. Wartości A, B itd. podane są w tabeli „Dane dotyczące hałasu i wibracji”.

Niniejsze wartości deklarowane, które zostały uzyskane w testach laboratoryjnych wykonanych według podanych dyrektyw lub norm, są przydatne do porównania z wartościami deklarowanymi dla innych narzędzi testowanych według tych samych dyrektyw lub norm. Te deklarowane wartości nie nadają się do oceny ryzyka, a wartości zmierzone w poszczególnych miejscach pracy mogą być wyższe. Rzeczywiste wartości ekspozycji i ryzyka związanego z narażeniem konkretnego operatora są unikalne i zależą od jego sposobu pracy, materiału do jakiego wykorzystuje maszynę, a także od czasu ekspozycji i stanu fizycznego operatora oraz stanu maszyny.

Firma Atlas Copco Construction Tools AB nie może być pociągana do odpowiedzialności za konsekwencje wynikające z zastosowania zadeklarowanych wartości, zamiast wartości rzeczywistych, w konkretnej ocenie ryzyka na stanowisku pracy, nad którym nie mamy kontroli.

Niewłaściwe posługiwanie się tym narzędziem może powodować występowanie zespołu wibracyjnego (HAVS). Informator UE omawiający postępowanie w obliczu ekspozycji dłoni-ramion na wibracje znaleźć można pod adresem <http://www.humanvibration.com/humanvibration/EU/VIBGUIDE.html>

Zalecamy wdrożenie programu kontroli zdrowia celem wykrywania już wczesnych objawów mogących mieć związek z ekspozycją na wibracje, aby można było odpowiednio zmodyfikować procedury zarządzania i zapobiec znaczącej utracie sprawności.

Dodatkowe informacje dotyczące drgań

Udzielamy tych informacji w celu pomocy w uzyskiwaniu ogólnych szacunków wartości drgań w miejscu pracy.

Emisje drgań znacznie się różnią w zależności od zadania i techniki pracy operatora. Deklarowana wartość drgań dotyczy głównego uchwyty (głównych uchwytów), a w innych położeniach dłoni mogą występować dużo wyższe poziomy drgań. Jesteśmy przekonani, że normalne użytkowanie narzędzia zgodnie z jego przeznaczeniem zwykle powoduje powstawanie drgań w zakresie C^{m/s^2} i E^{m/s^2} (całkowite wartości drgań, zgodnie z definicją w EN ISO 5349-1) w zależności od specyfiki zadania, ale poziom emisji drgań spoza tego zakresu może występować w przypadku pewnych zastosowań.

Wartość D^{m/s^2} i F^{m/s^2} to prawdopodobnie przydatna średnia wartość emisji do, na przykład, ogólnego szacowania prawdopodobnej średniej wartości ekspozycji użytkowników wykonujących szeroki wachlarz zadań, mieszczących się w zalecanym zakresie zastosowań narzędzia. Zwracamy uwagę, że stosowanie narzędzia wyłącznie do jednego specjalistycznego zadania może powodować powstawanie innych średnich emisji, a w takich przypadkach zdecydowanie zalecamy przeprowadzenie odrębnej oceny emisji drgań.

Dane dotyczące hałasu i wibracji

Typ	Hałas		Wibracje					
	Ciśnienie akustyczne	Moc akustyczna	Wartości na trzech osiach					
	Wartości deklarowane		Wartości deklarowane		Dodatkowe informacje dotyczące drgań			
	EN ISO 11203	2000/14/WE	EN ISO 20643		Beton		Brick	
	Lp r=1 m dB(A) odniesienie 20µPa	Lw gwarantowane dB(A) rel 1pW	A m/s ² wartość	B m/s ² rozrzut	C m/s ² zakres	D m/s ² średnia	E m/s ² zakres	F m/s ² średnia
TEX 07PE Tylko z uchwytem D	87	104	12,4	1,7	9,0-11,9	10,5	7,9-10,0	9,0
TEX 07PE Z uchwytem D oraz uchwytem przednim bocznym	87	104	10,5	1,5	7,5-11,2	9,6	9,6-12,2	10,6

Deklaracja zgodności WE

Deklaracja zgodności WE (Dyrektywa WE 2006/42/WE)

My, Atlas Copco Construction Tools AB, niniejszym oświadczamy, że wymienione poniżej maszyny spełniają wymogi dyrektyw WE 2006/42/WE (Dyrektywa maszynowa) i 2000/14/WE (Dyrektywa dotycząca emisji hałasu), oraz wymienionych poniżej norm zharmonizowanych.

Lekki młot pneumatyczny	Gwarantowany poziom mocy akustycznej [dB(A)]	Zmierzony poziom mocy akustycznej [dB(A)]	Ciśnienie maks. (bar)
TEX 07PE	104	98	7

Zastosowane zostały następujące normy zharmonizowane:

- ◆ EN ISO 11148-4

Zastosowane zostały następujące inne normy:

- ◆ Lloyds Register Quality Assurance, NoBo no.0088

Autoryzacja dokumentacji technicznej:

Per Forsberg
Atlas Copco Construction Tools AB
Dragonvägen 2
Kalmar

Zastępca dyrektora ds. prac konstrukcyjnych i rozwojowych:

Erik Sigfridsson

Producent:

Atlas Copco Construction Tools AB
105 23 Stockholm
Sweden

Miejsce i data:

Kalmar, 2012-06-30

РУССКИЙ

Содержание

Введение.....	275
Об «Инструкциях по технике безопасности и эксплуатации».....	275
Правила техники безопасности.....	276
Пояснение слов-предупреждений.....	276
Личные меры предосторожности и квалификация.....	276
Средства индивидуальной защиты.....	276
Наркотики, алкоголь и лекарства.....	276
Меры предосторожности: установка.....	276
Меры предосторожности: эксплуатация.....	277
Меры предосторожности: техническое обслуживание.....	282
Меры предосторожности: хранение.....	282
Общие сведения.....	283
Конструкция и функции.....	283
Выбор соответствующего задаче пневматического отбойного молотка.....	283
Основные детали.....	283
Наклейки и обозначения.....	283
Паспортная табличка.....	284
Наклейка уровня шума.....	284
Предупреждающая табличка.....	284
Установка.....	284
Шланги и соединения.....	284
Методы для предотвращения замерзания.....	284
Подключение сепаратора воды.....	285
Смазка.....	285
Вставной инструмент.....	285
Выбор подходящего вставного инструмента.....	285
Узкое долото.....	285
Долотчатый бур.....	285
Широкое долото.....	286
Установка и снятие вставного инструмента.....	286
Эксплуатация.....	286
Пуск и останов.....	286
Operating.....	287
Начало резки.....	287
Дробление.....	287
Перерыв в работе.....	287
Техническое обслуживание.....	288
Ежедневно.....	288
Периодическое техническое обслуживание.....	288
Инструкции по сборке.....	289
Поиск и устранение неисправностей.....	289
Хранение.....	289
Утилизация.....	289
Технические характеристики.....	290
Технические характеристики машины.....	290
Заявление о шуме и вибрации.....	290
Дополнительные сведения о вибрации.....	290

Données relatives au bruit et aux vibrations.....	291
Заявление о соответствии требованиям ЕС.....	292
Заявление о соответствии ЕС (Директива ЕС 2006/42/ЕС).....	292

Введение

Благодарим за выбор изделий Atlas Copco. С 1873 года мы стараемся искать новые и более качественные способы удовлетворения потребностей наших клиентов. За эти годы мы разработали новаторские и эргономичные конструкции изделий, позволяющие нашим клиентам выполнять свою работу более рационально и качественно.

Atlas Copco имеет разветвленную глобальную сеть продаж и обслуживания, состоящую из сервисных центров и дистрибуторов по всему миру. Наши эксперты являются опытными профессионалами, хорошо знающими наши изделия и сферы их применения. Мы можем предложить техническую поддержку в любой точке мира, чтобы наши клиенты могли работать всегда с максимальной эффективностью.

Дополнительная информация: www.atlascopco.com

Atlas Copco Construction Tools AB

105 23 Stockholm

Sweden

Об «Инструкциях по технике безопасности и эксплуатации»

Цель настоящих инструкций состоит в предоставлении информации о том, как осуществлять эффективную и безопасную эксплуатацию пневматического отбойного молотка. В инструкциях также представлены рекомендации по выполнению регулярного технического обслуживания пневматического отбойного молотка.

Перед первым использованием пневматического отбойного молотка необходимо внимательно прочесть и усвоить настоящие инструкции.

Правила техники безопасности

Перед установкой, эксплуатацией, обслуживанием и ремонтом оборудования требуется внимательно изучить инструкции по безопасности и эксплуатации – это позволит уменьшить риск получения персоналом и другими лицами серьезных травм, которые могут иметь летальный исход.

Инструкции по безопасности и эксплуатации оборудования должны быть доступны на месте выполнения работ, а их копии переданы сотрудникам. Выполнение работ и обслуживание оборудования разрешается только после ознакомления с содержащейся в этих документах информацией.

Кроме того, обслуживающий персонал должен быть способен оценить риск, возникающий при эксплуатации машины.

Пояснение слов-предупреждений

Слова-предупреждения «Опасно», «Внимание» и «Осторожно» имеют следующие значения:

ОПАСНО	Указывает на опасную ситуацию, которая, если ее не избежать, приведет к смерти или к серьезной травме.
ОСТОРОЖНО	Указывает на опасную ситуацию, которая, если ее не избежать, может привести к смерти или к серьезной травме.
ВНИМАНИЕ	Указывает на опасную ситуацию, которая, если ее не избежать, может привести к незначительным повреждениям.

Личные меры предосторожности и квалификация

К управлению или обслуживанию машины допускается только обученный персонал. Этот персонал должен быть достаточно сильным, чтобы справиться с объемом, весом и мощностью инструмента. Всегда руководствуйтесь здравым смыслом.

Средства индивидуальной защиты

Всегда пользуйтесь средствами индивидуальной защиты. Операторы и все, кто находится в зоне работы машины, должны носить средства индивидуальной защиты, включающие как минимум:

- Защитная каска
- Защита органов слуха
- Противоударные очки с боковой защитой
- Респиратор при необходимости
- Защитные перчатки
- Защитная обувь
- Соответствующий рабочий комбинезон или подобная одежда (за исключением просторной необлегающей), которая защищает руки и ноги.

Наркотики, алкоголь и лекарства

▲ ОСТОРОЖНО Наркотики, алкоголь и лекарства

Наркотики, алкоголь и лекарства могут повлиять на вашу концентрацию и поведение. Неадекватная реакция и неправильное поведение может привести к серьезным повреждениям или к смерти.

- ▶ Нельзя работать с машиной, когда вы устали или находитесь под воздействием наркотиков, алкоголя и лекарств.
- ▶ Запрещено работать с машиной тому, кто находится под воздействием наркотиков, алкоголя и лекарств.

Меры предосторожности: установка

▲ ОПАСНО Риск хлестания шланга для подачи воздуха

В случае ослабления шланга для подачи сжатого воздуха, он может начать хлестать и привести к травме или смерти. Для снижения этой опасности:

- ▶ Запрещается использовать поврежденные шланги для подачи сжатого воздуха и соединения и заменять их при необходимости.
- ▶ Проверить, что все соединения сжатого воздуха должным образом закреплены.
- ▶ Никогда не переносите пневматическую машину, держа ее за шланг для подачи воздуха.

- ▶ Никогда не отключайте шланг для подачи сжатого воздуха, если он находится под давлением. Сначала отключите подачу сжатого воздуха в компрессор, затем опорожните машину, активируя устройство пуска и останова.
- ▶ Не используйте быстроразъемные соединения для входа инструмента. Используйте резьбовую шланговую арматуру из упрочненной стали (или материала со сравнимой ударостойкостью).
- ▶ При использовании универсальных крученых соединений (зубчатых муфт) мы рекомендуем устанавливать стопорные штифты и использовать предохранительные хомуты для предотвращения отсоединения шланга от инструмента и инструмента от шланга.

▲ ОПАСНО Воздух под давлением

Воздух под высоким давлением при попадании на кожу может впиться и нанести серьезный вред организму или привести к смерти.

- ▶ Всегда закрывайте подачу воздуха, снижайте давление воздуха в шланге и отключайте машину от подачи воздуха в то время, когда она не используется, перед заменой аксессуаров, а также при выполнении ремонта.
- ▶ Никогда не направляйте шланг для подачи сжатого воздуха в свою сторону или в сторону другого человека. Во избежание риска травмы, никогда не используйте сжатый воздух для сдувания, например, пыли, грязи и т. д. с одежды.

▲ ОСТОРОЖНО Вынутый вставной инструмент

Если держатель инструмента в машине не находится в положении фиксации, вставной инструмент можно вынуть, применяя силу, что может привести к травме.

- ▶ Не запускайте машину во время смены вставного инструмента.
- ▶ Перед заменой вставного инструмента или аксессуаров остановите машину, отключите питание и опорожните машину, активируя устройство пуска и останова.
- ▶ Никогда не направляйте вставной инструмент в свою сторону или в сторону другого человека.
- ▶ Убедитесь, что вставной инструмент полностью вставлен, и держатель инструмента находится в положении фиксации перед запуском машины.
- ▶ Проверьте функцию фиксации, сильно потянув за вставной инструмент.

▲ ОСТОРОЖНО Выскальзывание или выпадение ударного инструмента

Неправильный размер хвостовика инструмента может привести к тому, что вставленный инструмент выпадет или выскользнет при работе. Это может привести к серьезной травме кистей или пальцев рук.

- ▶ Проверьте, соответствует ли длина и размеры хвостовика инструмента параметрам устройства.
- ▶ Нельзя пользоваться инструментом без сальника.

Меры предосторожности: эксплуатация

▲ ОПАСНО Риск взрыва

При соприкосновении разогретого вставного инструмента или выхлопной трубы с взрывчатыми веществами может произойти взрыв. При воздействии на определенные материалы могут образоваться искры и пламя. Результатом взрыва могут стать серьезные травмы или летальный исход.

- ▶ Запрещается использовать агрегат в любой взрывоопасной среде.
- ▶ Запрещается использовать агрегат в присутствии воспламеняемых материалов, дымов или пыли.
- ▶ Необходимо убедиться в отсутствии скрытых источников газа или взрывоопасной среды.

▲ ОСТОРОЖНО Риск неконтролируемого движения

В процессе использования машины вставной инструмент подвергается значительным нагрузкам. По прошествии определенного периода времени вставной инструмент может сломаться из-за усталостной нагрузки. Повреждение или застревание вставного инструмента может привести к резкому и неожиданному движению машины, способному травмировать человека. Более того, травму можно также получить в случае потери равновесия или поскользывания.

- ▶ Во время работы оператор должен всегда ставить ноги на ширину плеч и сохранять равновесие.
- ▶ Перед началом работы всегда необходимо осматривать машину. Запрещается использовать оборудование, если есть подозрения в неисправности.
- ▶ На всех рукоятках не должно быть смазки и масла.
- ▶ Во время работы ноги оператора должны находиться вдали от вставного инструмента.
- ▶ Стоять следует устойчиво, всегда удерживая машину обеими руками.
- ▶ Запрещается запускать двигатель лежащей машины.
- ▶ Запрещается «ездить верхом» на машине, перекинув одну ногу через рукоятку.
- ▶ Нельзя допускать ударов по агрегату и его нецелевого использования.
- ▶ Вставной инструмент следует регулярно проверять на предмет износа, обращая внимание на любые признаки неисправности и трещины.
- ▶ Во время работы необходимо всегда быть внимательным и смотреть на обрабатываемую поверхность.

▲ ОСТОРОЖНО Риск, связанный с пылью и испарениями

Пыль и/или испарения, образующиеся или распространяющиеся при использовании машины, могут привести в опасным и необратимым респираторным заболеваниям, болезням и телесным травмам (например, силикозу и прочим необратимым заболеваниям легких, которые могут привести к летальному исходу, раку, врожденным порокам и/или кожному воспалению).

Пыль и испарения, образующиеся в результате бурения, раздробления, разбивания, распиливания, шлифовки и прочих строительных работ в некоторых случаях могут содержать вещества, которые в шт. Калифорния и прочих ведомствах признаны вызывающими респираторные заболевания, рак, врожденные пороки и прочие нарушения репродуктивной функции. Некоторые примеры таких веществ:

- кристаллический кремнезем, цемент и прочие материалы для каменных работ;
- вещества с содержанием мышьяка и хрома из химически обработанного каучука;
- свинец из красок на свинцовой основе.

Пыль и испарения могут быть не видны невооруженным глазом, поэтому для определения их наличия в воздухе не стоит полагаться только на зрение.

Для снижения риска воздействия пыли и испарений необходимо выполнить следующее.

- ▶ Выполните оценку рисков для конкретной площадки. Оценка рисков должна включать в себя пыль и испарения, образующиеся в результате использования машины и вероятность распространения существующей пыли.
- ▶ Применять соответствующие технические средства для минимизации объема пыли и испарений в воздухе, а также для предотвращения их оседания на оборудовании, поверхностях, одежде и частях тела. Примеры таких средств: вытяжная вентиляция, системы улавливания пыли, распыление воды и бурение с промывкой. По возможности контролировать источники образования пыли и испарений. Обеспечить надлежащую установку, обслуживание и применение технических средств.

- ▶ Носить, обслуживать и правильно использовать средства защиты органов дыхания согласно инструкциям работодателя и правилам по охране труда и технике безопасности. Средства защиты органов дыхания должны быть эффективными для типа рассматриваемого вещества (и, если применимо, должны быть одобрены соответствующим государственным органом).
- ▶ Работать в хорошо проветриваемой зоне.
- ▶ Если машина имеет выпускную систему, направить выпускной канал так, чтобы снизить распространение пыли в запыленной среде.
- ▶ Эксплуатировать и обслуживать машину согласно рекомендациям в инструкциях по технике безопасности и эксплуатации.
- ▶ Выбирать, обслуживать и заменять расходные материалы/вставные инструменты/прочие принадлежности согласно рекомендациям в инструкциях по технике безопасности и эксплуатации. Неправильный выбор или недостаточное обслуживание расходных материалов/вставных инструментов/прочих принадлежностей может привести к излишнему образованию пыли или испарений.
- ▶ Использовать на рабочей площадке моющуюся или одноразовую защитную одежду. Перед уходом с площадки принимать душ и переодеваться в чистую одежду для снижения воздействия пыли и испарений на вас, окружающих людей, автомобили, дом и прочие области.
- ▶ Избегать приема пищи и напитков, а также использования табачных изделий в областях с содержанием пыли или испарений.
- ▶ При необходимости покинуть рабочую площадку, а также перед приемом пищи, напитков использованием табачных изделий и контактом с другими людьми как можно скорее тщательно вымыть руки и лицо.
- ▶ Соблюдать все применимые законы и предписания, включая правила по охране труда и технике безопасности.
- ▶ Участвовать в программах контроля, медицинских осмотров и обучения безопасности и охране здоровья, предоставляемых работодателем или торговыми организациями в соответствии с правилами и рекомендациями по охране труда и технике безопасности. Консультироваться с врачами, имеющими опыт в профилактике и лечении соответствующих профессиональных заболеваний.

- ▶ Работать с работодателем и торговой организацией для сокращения воздействия пыли и испарений на рабочем месте, а также для снижения рисков. На основании рекомендаций экспертов по безопасности и охране здоровья должны составляться и применяться эффективные программы, меры и процедуры по безопасности и охране здоровья для защиты рабочих и прочих людей от вредного воздействия пыли и испарений. Консультироваться с экспертами.
- ▶ Остаточные опасные вещества на машине могут представлять риск. Перед выполнением технического обслуживания машины тщательно очистить ее.

▲ ОСТОРОЖНО Осколки

При разрушении рабочего инструмента, аксессуаров и самого устройства осколки могут разлетаться с большой скоростью. Во время работы устройства могут разлетаться осколки и другие частицы, которые могут ранить оператора и других людей. Для предотвращения этого риска:

- ▶ Необходимо надевать индивидуальные средства защиты и предохранительный шлем с ударопрочной защитой глаз и боковыми щитами.
- ▶ Необходимо следить за тем, чтобы посторонние не входили в рабочую зону.
- ▶ В рабочей зоне не должно быть никаких посторонних предметов.
- ▶ Необходимо следить за надежным креплением рабочего инструмента.

▲ ОСТОРОЖНО Опасность разлетания осколков

Применение ударного инструмента для ручных ударных работ может привести к попаданию осколков в оператора и его травмированию.

- ▶ Нельзя использовать ударный инструмент для ручных ударных работ. Эти инструменты были разработаны и подвергнуты термообработке специально для использования в данном устройстве.

▲ ОСТОРОЖНО Риск поскользывания, спотыкания или падения

Есть опасность того, что человек может поскользнуться, споткнуться или упасть, например, споткнуться о шланги или другие препятствия. Поскользывание, спотыкание или падение могут привести к травмированию человека. Для предотвращения этого риска:

- ▶ Следите за тем, чтобы никакие шланги или другие препятствия не мешали вам или другим людям.
- ▶ Стойте твердо, расставив ноги на ширину плеч и сохраняя равновесие.

▲ ОСТОРОЖНО Риск неподвижности тела

При работе с устройством у вас могут возникать неприятные ощущения в кистях рук, предплечьях, плечах или в других частях тела.

- ▶ Займите удобное положение, твердо стоя на земле и стараясь избегать неустойчивых положений.
- ▶ Во избежание усталости или неприятных ощущений в теле рекомендуется регулярно менять положение тела.
- ▶ При появлении долго непроходящих симптомов обратитесь за помощью к врачу.

▲ ОСТОРОЖНО Риски, связанные с вибрацией

При штатной эксплуатации машины оператор подвергается вибрации. Регулярное и частое воздействие вибрации может оказывать негативное влияние или усугублять травмы или нарушения в пальцах, кистях, запястьях, руках, плечах или других частях тела, нервной системе, системе кровообращения оператора, в том числе постепенно приводя за недели, месяцы или годы работы к временному или постоянному нарушению здоровья. К таким травмам или нарушениям здоровья могут относиться нарушения в работе системы кровообращения, нервной системе, повреждения суставов или других строений тела.

Если в процессе работы или в другое время возникнут ощущения онемения, постоянно повторяющегося дискомфорта, жжения, оцепенелости, пульсаций, покалывания, боли, неповоротливости, снижения силы захвата или будут замечены побеление кожи или другие симптомы, следует прекратить использование машины, доложить об этом работодателю и обратиться за медицинской помощью. Продолжение использования машины после возникновения любого такого симптома может повысить риск осложнений, вплоть до необратимых изменений в организме.

Для предотвращения нежелательного увеличения воздействия вибрации управление машиной и ее техническое обслуживание должны осуществляться в соответствии с этими инструкциями.

Пути снижения воздействия вибрации на оператора:

- ▶ Дать инструменту выполнять работу. Сжимать рукоятки руками с минимальной силой, но достаточной для обеспечения безопасности и управления процессом.
 - ▶ Если машина оснащена вибропоглощающими ручками, удерживать их в центральном положении, не сдвигая к концевым упорам.
 - ▶ После активации ударного механизма единственным способом контакта тела с машиной должно быть удержание руками рукоятки или рукояток. Следует избегать любых других контактов с машиной, например, не прислоняться к ней какой-либо частью тела и не налегать на нее для увеличения силы подачи. Кроме того, если требуется отвести инструмент от участка с нарушенной обрабатываемой поверхностью, важно не задействовать устройство пуска и останова.
- ▶ Большое значение имеет хорошее техническое обслуживание вставного инструмента (включая остроту в случае режущего инструмента), который не должен быть изношенным и должен иметь соответствующий размер. Использование плохо обслуживаемых, изношенных вставных инструментов или инструментов неподходящего размера снижает производительность работы (и приводит к увеличению продолжительности воздействия вибрации) и может усиливать воздействие вибрации.
 - ▶ В случае неожиданной сильной вибрации машины следует прекратить работу. Перед возобновлением работы немедленно определить и устранить причину повышенной вибрации.
 - ▶ Запрещается хватать, удерживать или касаться вставного инструмента работающей машины.
 - ▶ Оператору следует проходить медосмотры и участвовать в программах по наблюдению за здоровьем, предлагаемых работодателем или требуемых законодательством.
 - ▶ При работе в холодную погоду следует носить теплую одежду и поддерживать руки теплыми и сухими.
 - ▶ Выпускаемый воздух сильно охлажден, поэтому оператору следует избегать контакта с ним. Выпускаемый воздух должен всегда быть направлен в сторону от рук и тела.

См. документ «Заявление о шуме и вибрации» на эту машину, в котором указаны заявленные значения уровней вибрации. Он приведен в конце настоящего «Руководство по технике безопасности и эксплуатации».

- ◆ Необходимо обеспечить соответствие рекомендованному давлению воздуха во время работы машины. Слишком высокое или низкое давление воздуха может привести к высокому уровню вибрации.

▲ ОПАСНО Опасность поражения электрическим током

Устройство не изолировано электрически. Если устройство будет соприкасаться с электрическим током, это может привести к серьезной травме и даже смерти.

- ▶ Нельзя эксплуатировать устройство рядом с электрическими проводами и другими источниками электрического тока.
- ▶ Необходимо следить за тем, чтобы в рабочей зоне не были спрятаны провода и другие источники электричества.

▲ ОСТОРОЖНО Опасность скрытого объекта

При эксплуатации устройства травму можно получить при его соприкосании со скрытыми проводами или трубами.

- ▶ Перед включением устройства проверьте состав материала.
- ▶ Следует избегать контакта со скрытыми кабелями или трубами, например, электрическими, телефонными, газовыми или канализационными.
- ▶ Если вам кажется, что рабочий инструмент попал в скрытый объект, необходимо сразу же выключить устройство.
- ▶ Перед возобновлением работы необходимо убедиться в отсутствии опасности.

▲ ОСТОРОЖНО Непреднамеренный пуск

Непреднамеренный пуск агрегата может привести к травме.

- ▶ Если не требуется запустить агрегат, руки следует держать вдали от органов пуска и останова.
- ▶ Необходимо знать способ аварийного выключения агрегата.
- ▶ Во всех случаях отключения подачи электроэнергии следует немедленно включить устройство пуска и останова.
- ▶ Во время установки или удаления вставного инструмента отключите подачу воздуха, опорожните машину, активируя устройство пуска и останова и отключите питание машины.

▲ ОСТОРОЖНО Шум

Высокий уровень шума может стать причиной постоянной потери слуха и других проблем (звон, гул, свист в ушах). Меры по уменьшению рисков и недопущению чрезмерного увеличения шума

- ▶ оценка риска и использование соответствующих средств контроля.
- ▶ эксплуатация и обслуживание оборудования в соответствии с инструкциями.
- ▶ выбор, обслуживание и замена ударного инструмента в соответствии с инструкциями.
- ▶ если машина оснащена глушителем, он должен быть в соответствующем положении и в хорошем состоянии.
- ▶ использовать защиту органов слуха.
- ▶ использовать демпфирующий материал, чтобы исключить шум, вызванный вибрацией компонентов.

Меры предосторожности: техническое обслуживание

▲ ОСТОРОЖНО Изменение конструкции оборудования

Изменение конструкции оборудования может привести к травмированию персонала и других лиц.

- ▶ Модификация оборудования запрещена. Гарантия на модифицированное оборудование не распространяется.
- ▶ Разрешается использовать только поставляемые компанией Atlas Copco запасные части, ударный инструмент и вспомогательные принадлежности.
- ▶ Поврежденные компоненты должны быть сразу же заменены.
- ▶ Замена изношенных компонентов должна проводиться своевременно.

▲ ВНИМАНИЕ Горячий ударный инструмент

При использовании конец ударного инструмента может быть нагрет и заострён. В результате контакта возможны ожоги и порезы.

- ▶ Избегать контакта с горячим или острым ударным инструментом.
- ▶ Разрешается выполнять работы только после того, как ударный инструмент охлаждён.

▲ ОСТОРОЖНО Опасность при обслуживании ударного инструмента

Если не отключен источник питания, случайное включение оборудования во время техобслуживания или монтажа может привести к тяжёлым травмам.

- ▶ Запрещено осматривать, очищать, устанавливать или демонтировать ударный инструмент, когда подключен источник питания.

Меры предосторожности: хранение

- ◆ Устройство и инструменты необходимо хранить в надёжном месте, недоступном для детей.

Общие сведения

Чтобы не причинить серьезные травмы или смерть себе или другим, прочитайте инструкции по безопасности на предыдущих страницах прежде, чем работать с машиной.

Конструкция и функции

Эти инструкции применимы для TEX 07PE.

TEX 05PE/09PE/12PE – машина с D-образной рукояткой, обеспечивающая демпфирование вибраций, разработанным для работ по сносу и заводских работ. Машину можно использовать как в горизонтальном, так и вертикальном положении. Любое другое использование запрещено.

Для выбора правильного рабочего инструмента см. перечень запасных частей.

Выбор соответствующего задаче пневматического отбойного молотка

Важно выбрать соответствующий выполняемой задаче размер пневматического отбойного молотка.

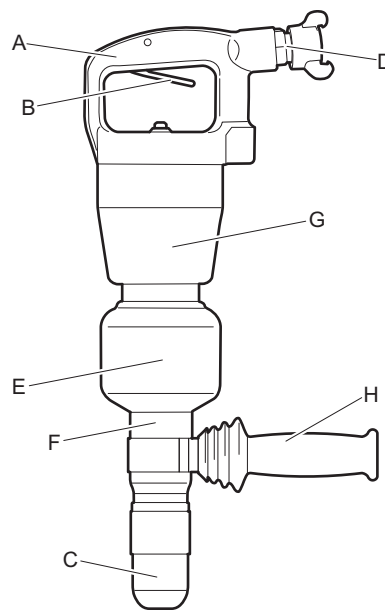
Пневматический отбойный молоток слишком маленького размера приведет к увеличению времени работы.

Молоток слишком большого размера необходимо часто перемещать, что чрезмерно утомляет оператора.

Простое правило для выбора пневматического отбойного молотка надлежащего размера: кусок раздробленного материала нормального размера должен извлекаться из рабочего объекта в течение 5 – 10 секунд работы.

- Если это занимает менее 5 секунд, нужно выбрать пневматический отбойный молоток меньшего размера.
- Если это занимает менее 10 секунд, нужно выбрать пневматический отбойный молоток большего размера.

Основные детали

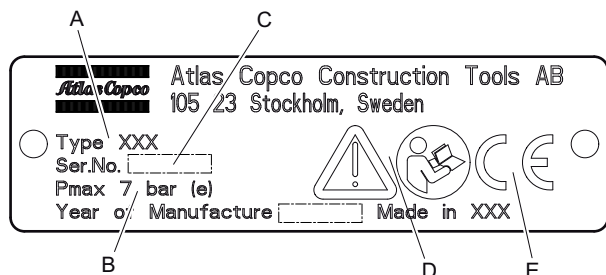


- A. Рукоятка
- B. Пусковой механизм
- C. Фиксатор инструмента
- D. Входное отверстие для воздуха
- E. Глушитель
- F. Цилиндр
- G. Корпус
- H. Передняя рукоятка (опция)

Наклейки и обозначения

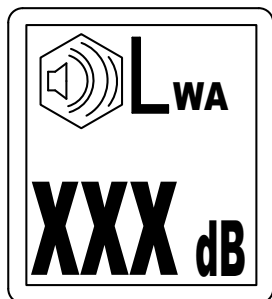
Машина снабжена наклейками, содержащими информацию о правилах персональной безопасности и обслуживания машины. Наклейки должны быть в удобочитаемом состоянии. Новые наклейки можно заказать по каталогу запчастей.

Паспортная табличка



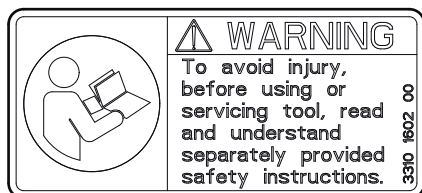
- A. Тип агрегата
- B. Максимальное допустимое давление сжатого воздуха
- C. Серийный номер
- D. Предупреждающий знак с изображением читающего книгу человека указывает на необходимость ознакомления с инструкциями по технике безопасности и эксплуатации перед первым использованием агрегата.
- E. Знак CE означает соответствие агрегата требованиям ЕС. Подробнее см. документ «Заявление о соответствии требованиям ЕС» из сопровождающей документации агрегата. Отсутствие знака ЕС означает несоответствие агрегата требованиям ЕС.

Наклейка уровня шума



Эта наклейка показывает гарантированный уровень шума, соответствующий директиве ЕС 2000/14/ЕС. Точный уровень шума указан в «Технических характеристиках».

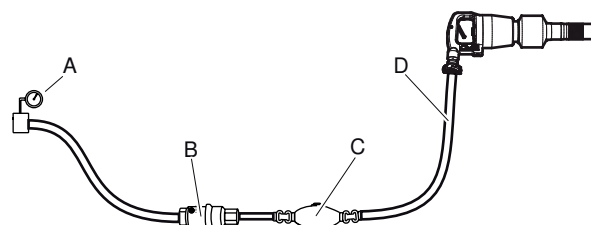
Предупреждающая табличка



Во избежание травмы, перед использованием или обслуживанием инструмента прочтите и вникните в отдельные инструкции по безопасности.

Установка

Шланги и соединения



- A. Источник сжатого воздуха
 - B. Сепаратор воды (опция)
 - C. Смазывающее устройство (опция)
 - D. Макс. 3 м (10 футов) шланг для подачи сжатого воздуха между смазывающим устройством и машиной.
- ♦ Проверьте, что вы используете правильное рекомендованное рабочее давление, 6 бар (e) (87 фунт/кв. дюйм).
 - ♦ Нельзя превышать максимальное допустимое давление воздуха, 7 бар (e) (102 фунт/кв. дюйм).
 - ♦ Продуйте шланг для подачи сжатого воздуха для удаления всех загрязнений перед подключением данного шланга к машине.
 - ♦ Выберите правильный размер и длину шланга для подачи сжатого воздуха. Для шлангов длиной до 30 м (100 футов) минимальный внутренний диаметр шланга должен составлять 19 мм (3/4 дюйма). Если длина шланга составляет от 30 до 100 м (от 100 до 330 футов), следует использовать шланг с минимальным внутренним диаметром 25 мм (1 дюйм).

Методы для предотвращения замерзания

Образование льда в глушителе может происходить при температуре окружающего воздуха 0-10 °C (32-50 °F) и высокой относительной влажности.

Машина создана для предотвращения образования льда в глушителе. Не смотря на это при экстремальных условиях в глушителе может образовываться лед.

Для снижения риска образования льда выполните следующие действия:

- ◆ Используйте масло AIR-OIL для отбойных молотков и бетоноломов Atlas Copco. Масло AIR-OIL для отбойных молотков и бетоноломов предотвращает замерзание.
- ◆ Используйте сепаратора воды.

Подключение сепаратора воды

Длина шланга для подачи воздуха между компрессором и сепаратором воды должна быть достаточной для того, чтобы пары воды могли охлаждаться и конденсироваться в шланге перед тем, как попасть в сепаратор воды.

Если температура окружающего воздуха ниже 0 °C (32 °F), шланг должен быть достаточно коротким для предотвращения замерзания воды перед поступлением в сепаратор воды.

Смазка

Смазочное масло важно для работы машины и обладает большим влиянием на срок полезного использования. В случае отсутствия встроенного смазывающего устройства, подключите отдельное смазывающее устройство к шлангу для подачи воздуха. Для обеспечения надлежащей смазки длина шланга для подачи воздуха между отдельным смазывающим устройством и пневматической машиной не должна превышать 3 метра.

Используйте синтетический смазочный материал, такой как масло AIR-OIL для отбойных молотков и бетоноломов Atlas Copco или минеральный смазочный материал со свойствами, указанными в таблице ниже.

Смазочный материал	Диапазон температур (°C)	Вязкость
Масло AIR-OIL для отбойных молотков и бетоноломов	от -30 до +50	-
Минеральный смазочный материал синтетический смазочный материал	от +15 до +50	ISO VG 46-68
Минеральный смазочный материал синтетический смазочный материал	от -20 до +15	ISO VG 22-32

Вставной инструмент

▲ ВНИМАНИЕ Горячий ударный инструмент

При использовании конец ударного инструмента может быть нагрет и заострён. В результате контакта возможны ожоги и порезы.

- ▶ Избегать контакта с горячим или острым ударным инструментом.
- ▶ Разрешается выполнять работы только после того, как ударный инструмент охлаждён.

УВЕДОМЛЕНИЕ Нельзя охлаждать горячий инструмент в воде, это приведет к его хрупкости и преждевременному выходу из строя.

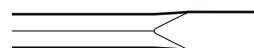
Выбор подходящего вставного инструмента

Подходящий вставной инструмент — непреложное условие правильного функционирования машины. Во избежание повреждения машины следует использовать только высококачественный инструмент.

Использование неподходящего вставного инструмента может вывести машину из строя.

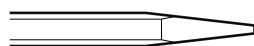
Рекомендуемые вставные инструменты указаны в перечне запасных частей.

Узкое долото



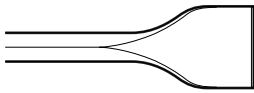
Узкое долото используется для разрушения и прорезания бетона и других твердых материалов.

Долотчатый бур



Долотчатый бур используется только для проделывания отверстий в бетоне и других твердых материалах.

Широкое долото

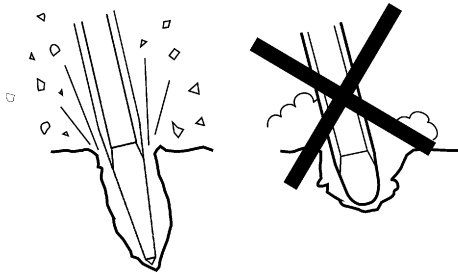


Широкое долото используется для работ с такими мягкими материалами, как асфальт и замерзшая земля.

▲ ОСТОРОЖНО Риск, связанный с вибрацией

Использование вставных инструментов, несоответствующих приведенным ниже критериям, приведет к снижению производительности работы и может усиливать воздействие вибрации. Изношенный инструмент также приведет к увеличению времени выполнения задач.

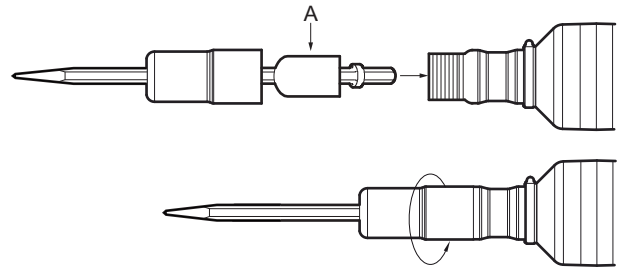
- ▶ Большое значение имеет хорошее техническое обслуживание вставного инструмента, который не должен быть изношенным и должен иметь соответствующий размер.
- ▶ Для эффективной работы следует всегда использовать заостренный инструмент.



Установка и снятие вставного инструмента

При установке/удалении вставного инструмента соблюдайте следующие инструкции:

1. Для предотвращения внезапного пуска: отключите подачу воздуха, а также питание машины. Опорожните машину, активируя устройство пуска и останова.
2. Перед вставкой инструмента, смажьте вставной инструмент.



1. Установите крышку на шестигранный корпус вставного инструмента.
 2. Установите буфер на стержень вставного инструмента.
 3. Установите вставной инструмент в цилиндр и прикрутите крышку на цилиндр до ее фиксации.
1. Установка/удаление вставного инструмента.
 2. Закройте держатель инструмента (положение А) и проверьте функцию фиксации, резко потянув инструмент вниз.

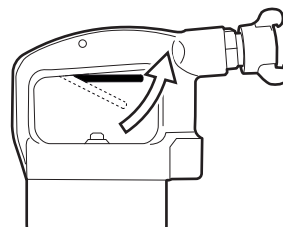
Эксплуатация

▲ ОСТОРОЖНО Непреднамеренный пуск

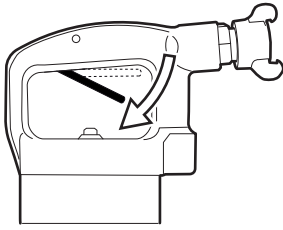
Непреднамеренный пуск агрегата может привести к травме.

- ▶ Если не требуется запустить агрегат, руки следует держать вдали от органов пуска и останова.
- ▶ Необходимо знать способ аварийного выключения агрегата.
- ▶ Во всех случаях отключения подачи электроэнергии следует немедленно остановить агрегат.

Пуск и останов



Запустите машину, нажав на пусковой механизм, сильно удерживая рукоятку.

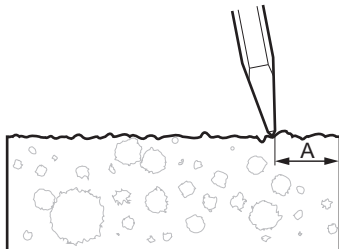


Остановите машину, отпустив пусковой механизм. Пусковой механизм автоматически возвращается в положение останова.

Operating

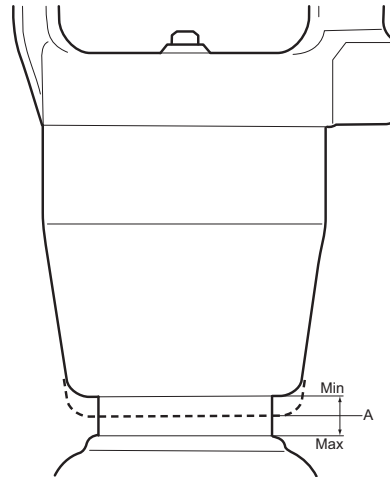
Начало резки

- ◆ Встать в устойчивое положение. Ноги должны находиться на достаточном расстоянии от вставного инструмента.
- ◆ Перед началом прижать машину к обрабатываемой поверхности.
- ◆ Начинать забуривание на таком расстоянии от края, чтобы машина могла дробить материал без ее использования в качестве рычага.
- ◆ Не пытайтесь дробить материал на слишком большие части. Выберите расстояние дробления (A) так, чтобы вставной инструмент не застревал.



Дробление

- ◆ Машина сама выполняет свою работу, не давите на нее слишком сильно. Вибропоглощающую ручку нельзя прижимать к корпусу.
- ◆ Для пневматических машины с вибропоглощающими ручками: Скорость подачи должна быть такой, чтобы ручка были прижата вниз наполовину. В данном положении достигается лучшее демпфирование вибраций и дробление.



- ◆ Избегать обработки очень прочных материалов, таких как гранит и армированное железо (арматурные стержни), поскольку это может приводить к сильной вибрации.
- ◆ Следует избегать любой формы простоя, работы без рабочего инструмента или работы с поднятой машиной.
- ◆ Если машина поднята, нельзя активировать устройство пуска и останова.
- ◆ Регулярно проверять достаточную смазку машины.

Перерыв в работе

- ◆ В время любого перерыва вы должны установить машину таким образом, чтобы не было риска ее непреднамеренного запуска. Убедитесь, что машина установлена на земле, и она не может упасть.
- ◆ В случае длительного перерыва или во время ухода с места работы: отключите питание и опорожните машину, активируя устройство пуска и останова.

Техническое обслуживание

Главным требованием для длительной надежной и эффективной работы устройства является его регулярное обслуживание. Строго соблюдайте все инструкции по обслуживанию.

- ◆ Перед выполнением работ по обслуживанию устройства необходимо прочистить его, чтобы избежать контакта с опасными веществами. См. «Опасность пыли и паров»
- ◆ Следует использовать только разрешенные запчасти. Любой ущерб или выход из строя, вызванный использованием неразрешенных деталей, не покрывается гарантией производителя.
- ◆ При очистке механических деталей при помощи растворителя необходимо соблюдать требования по гигиене и технике безопасности и убедиться в достаточной вентиляции.
- ◆ Крупный ремонт оборудования необходимо проводить в ближайшем авторизованном сервисном центре.
- ◆ После каждого ремонта необходимо убедиться в том, что уровень вибрации устройства остается нормальным. Если нет, обратитесь в ближайший авторизованный сервисный центр.

Ежедневно

Перед проведением какого-либо обслуживания или заменой вставного инструмента на пневматических машинах, всегда отключайте подачу воздуха и опорожняйте машину, дезактивируя устройство пуска и останова. Затем отключите шланг подачи воздуха от машины.

- ◆ Ежедневно перед запуском машины, очищать и проверять машину и ее функции.
- ◆ Проверить держатель инструмента на износ и правильную работу.
- ◆ Выполнить общий осмотр, обращая внимание на подтекания жидкостей и повреждения.
- ◆ Проверить, что соединительная трубка для подвода воздуха плотно закреплена, а зубчатая муфта не повреждена.

- ◆ Для поддержания определенных значений вибрации машины проверьте следующее: Слишком большой зазор между вставным инструментом и зубильной втулкой приводит к повышению уровня вибрации. Для предотвращения чрезмерной вибрации, проверять зубильную втулку на износ каждый день.
- ◆ Если машина оснащена ручкой/ручками с демпфированием вибраций, проверить свободное движение (вверх/вниз) и отсутствие застревания.
- ◆ Немедленно заменять поврежденные детали.
- ◆ Вовремя заменять изношенные компоненты.
- ◆ Убедиться, что все закрепленное и сопутствующее оборудование, такое как шланги, сепараторы воды и смазывающие устройства, проходят соответствующее техобслуживание.

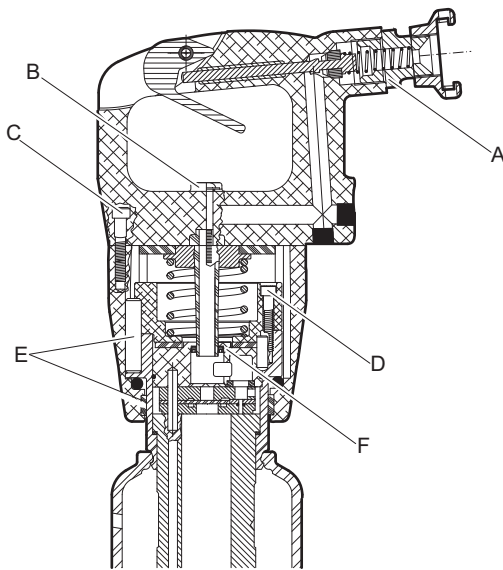
Периодическое техническое обслуживание

По прошествии каждого периода эксплуатации, включающего примерно 100 часов работы, или три раза в год необходимо разбирать машину, чистить и проверять все ее части. Данную работу выполняет уполномоченный персонал, обученный выполнению такой работы.

Согласно инструкции, для поддержания высокой производительности, размеры деталей не должны превышать размеры, указанные в таблице. Необходимо учитывать, что TEX 07PE не имеет функции воздушного демпфирования поршня. Это означает, что способность демпфирования не может использоваться для определения степени износа поршней и цилиндров.

Деталь	Максимальный внутренний диаметр (мм)	Минимальный внешний диаметр (мм)
Цилиндр	28,63	-
Поршень	-	28,50

Инструкции по сборке



- A. Момент затяжки: 88-95 нм, используйте Loctite® 243™ (Loctite - зарегистрированная торговая марка корпорации Henkel. 243 – торговая марка корпорации Henkel).
- B. Момент затяжки: 15-17 нм, унифицированная стандартная мелкая резьба ¼" x 44 (1-¾")
- C. Момент затяжки: 15-17 нм, унифицированная стандартная крупная резьба ¼" x 32 (1-¼")
- D. Момент затяжки: 17 нм, используйте Loctite® 243™, M6 x 40 - 12.9
- E. Не смазывайте поддерживающие валы, кольцо для компенсации износа или соответствующие контактные поверхности.
- F. Перед сборкой снимите уплотнитель с уплотнительного кольца. Уплотнительное кольцо служит только поддержкой для уплотнителя, который позволяет сохранять правильную форму кольца до тех пор, пока она не будет установлена.

Поиск и устранение неисправностей

Если пневматическая машина не запускается, не развивает достаточную мощность или работает неровно, следует проверить приведенные ниже условия.

- ◆ Проверить правильность размеров хвостовика используемого вставного инструмента.
- ◆ Проверить, что пневматическая машина получает достаточное количество смазочного вещества. Слишком большое количество смазочного вещества может привести к проблемам пуска, отсутствию возможности развития достаточной мощности или неровной работе.
- ◆ Проверить, что система сжатого воздуха обеспечивает машину достаточным давлением воздуха для достижения максимальной мощности.
- ◆ Проверить, что размеры и длины шланга для подачи воздуха соответствуют рекомендациям. См. раздел «Установка».
- ◆ В случае риска замерзания проверить, что выпускные отверстия машины не заблокированы.
- ◆ Если машина все еще работает неудовлетворительно после данной процедуры, обратитесь в уполномоченный сервисный центр.

Хранение

- Перед хранением следует тщательно очистить машину, чтобы избежать сохранения опасных веществ. См. раздел «Риск, связанный с пылью и испарениями»
- Вылейте примерно ½ унции (5 миллилитров) масла непосредственно в соединительную трубку для подвода воздуха, подключите машину к подаче сжатого воздуха и запустите ее на несколько секунд.
- Всегда храните машину в сухом месте.

Утилизация

Утилизировать старое устройство необходимо так, чтобы можно было повторно использовать максимальный объем материалов и обеспечить как можно более незначительное негативное воздействие на окружающую среду, соблюдая при этом местное законодательство.

Технические характеристики

Технические характеристики машины

Тип	Размер рабочего инструмента мм	Масса кг	Длина мм	Частота удара Гц	Расход воздуха л/с
TEX 07PE	H19 x 50	8,7	525	29,5	17
TEX 07PE, с передней рукояткой	H19 x 50	9,0	525	29,5	17

Заявление о шуме и вибрации

Гарантируемый уровень звуковой мощности **L_w** согласно EN ISO 3744 и Директиве 2000/14/ЕС.

Уровень звукового давления **L_p** согласно EN ISO 11203.

Значение вибрации **A** и погрешность **B** определены согласно EN ISO 20643. Значения A, B и другая информация приведены в таблице «Шум и вибрация».

Эти заявляемые характеристики получены в результате типовых лабораторных испытаний в соответствии с указанными директивами или стандартами и подходят для сравнения с заявленными характеристиками других агрегатов, испытанных в соответствии с теми же самыми директивами или стандартами. Эти заявляемые характеристики не подходят для оценки рисков. Значения, полученные на конкретном рабочем месте, могут оказаться более высокими. Фактические значения воздействия и степень риска для здоровья конкретного оператора индивидуальны и зависят от способа выполнения работ, обрабатываемой поверхности, времени воздействия, здоровья оператора и состояния агрегата.

Мы, компания Atlas Copco Construction Tools AB, не несем ответственности за последствия использования заявленных характеристик вместо значений, отражающих фактическое воздействие, в анализе рисков на конкретном рабочем месте, над которым у нас нет контроля.

Неправильное использование данного инструмента может привести к развитию синдрома дрожания кистей и/или рук. Рекомендации ЕС по предупреждению дрожания кистей и/или рук приведены на веб-сайте <http://www.humanvibration.com/humanvibration/EU/VIBGUIDE.html>

Для раннего обнаружения симптомов, связанных с воздействием вибрации, и предупреждения развития заболеваний мы рекомендуем использовать программу наблюдения за здоровьем, позволяющую своевременно изменить рабочие процедуры.

Дополнительные сведения о вибрации

Данные сведения предназначены для приблизительной оценки уровня вибрации на рабочем месте.

Уровень вибрации сильно зависит от выполняемой задачи и техники оператора. Заявленное значение вибрации относится к главным ручкам. При другом способе удержания машины вибрация может быть существенно выше. При нормальном целевом использовании машины уровень вибрации обычно находится в диапазоне **C_w%²** и **E_w%²** (общие показатели вибрации согласно EN ИСО 5349-1), в зависимости от характера конкретной задачи, однако в некоторых применениях может выходить за пределы этого диапазона.

Могут оказаться полезными средние значения вибрации **D_w%²** и **F_w%²**, например, для грубой оценки вероятного среднего воздействия на операторов, выполняющих различные действия с инструментом в рамках ее целевого использования. Следует особо заметить, что применение машины для работы с подкладками может создавать другие средние вибрации. В таких случаях настоятельно рекомендуется произвести конкретную оценку вибрации.

Données relatives au bruit et aux vibrations

Тип	Уровень шума		Уровень вибрации					
	Уровень звукового давления	Уровень звуковой мощности	Значения по трем осям координат					
	Заявленные значения		Заявленные значения		Дополнительные сведения о вибрации			
	EN ISO 11203	2000/14/EC	EN ISO 20643		Бетон		Кирпич	
	Lp r=1 м дБ (A) отн. 20 мкПа	Lw гарантированное значение в дБ (A) при 1 пВт	A м/с ² , значение	B м/с ² , значение	C м/с ² , диапазон	D м/с ² , средн.	E м/с ² , диапазон	F м/с ² , средн.
TEX 07PE Только с D-образной ручкой	87	104	12,4	1,7	9,0-11,9	10,5	7,9-10,0	9,0
TEX 07PE С D-образной ручкой и передней боковой ручкой	87	104	10,5	1,5	7,5-11,2	9,6	9,6-12,2	10,6

Заявление о соответствии требованиям ЕС

Заявление о соответствии ЕС (Директива ЕС 2006/42/ЕС)

Мы, компания Atlas Copco Construction Tools AB, настоящим заявляем, что приведенное ниже оборудование соответствует предписаниям Директивы 2006/42/ЕС (Директивы по машиностроению) и Директивы 2000/14/ЕС (Директивы по шумам), а также указанным ниже согласованным стандартам.

Ручные пневматические отбойные молотки	Гарантированный уровень звуковой мощности [дБ(А)]	Измеренный уровень звуковой мощности [дБ(А)]	Р _{макс.} (бар)
TEX 07PE	104	98	7

Применяются следующие согласованные стандарты:

- ◆ EN ISO 11148-4

Другие применимые стандарты:

- ◆ Lloyds Register Quality Assurance, NoBo no.0088

Уполномоченный представитель по технической документации:

Per Forsberg

Atlas Copco Construction Tools AB

Dragonvägen 2

Kalmar

Вице-президент по проектированию и разработкам:

Эрик Зигфридсон (Erik Sigfridsson)

Изготовитель:

Atlas Copco Construction Tools AB

105 23 Stockholm

Sweden

Место и дата:

Kalmar, 30.06.2012

Any unauthorized use or copying of the contents or any part thereof is prohibited.
This applies in particular to trademarks, model denominations, part numbers, and
drawings.

© 2012 Atlas Copco Construction Tools AB | No. 9800 0653 90e | 2012-10-22

Atlas Copco

www.atlascopco.com